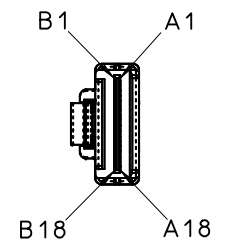
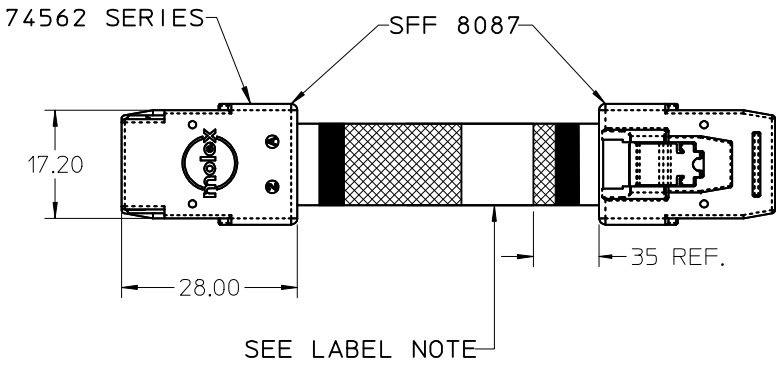
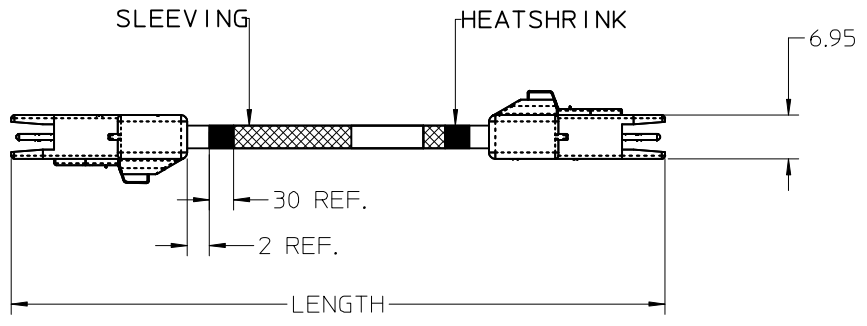


MOLEX P/N	SIDEBANDS	APPLICATION	SLEEVING	AWG	LENGTH(M)	TOL(+/-)	PIN OUT
795762100	YES	Ctrl to BP	YES	30	0.152	0.015	PIN OUT 1
795762101	YES	Ctrl to BP	YES	30	0.3	0.015	PIN OUT 1
795762102	YES	Ctrl to BP	YES	30	0.5	0.015	PIN OUT 1
795762103	YES	Ctrl to BP	YES	30	0.6	0.015	PIN OUT 1
795762104	YES	Ctrl to BP	YES	28	1	0.030	PIN OUT 1
795762105	YES	Ctrl to BP	YES	30	0.33	0.015	PIN OUT 1
795762107	YES	Ctrl TO BP	YES	30	0.225	0.015	PIN OUT 1
795762110	YES	Ctrl to CTRL	YES	30	0.152	0.015	PIN OUT 2
795762111	YES	Ctrl to CTRL	YES	30	0.3	0.015	PIN OUT 2
795762112	YES	Ctrl to CTRL	YES	30	0.5	0.015	PIN OUT 2
795762113	YES	Ctrl to CTRL	YES	30	0.6	0.015	PIN OUT 2
795762114	YES	Ctrl to CTRL	YES	28	1	0.030	PIN OUT 2
795762120	NO	N/A	YES	30	0.152	0.015	PIN OUT 3
795762121	NO	N/A	YES	30	0.3	0.015	PIN OUT 3
795762122	NO	N/A	YES	30	0.5	0.015	PIN OUT 3
795762123	NO	N/A	YES	30	0.6	0.015	PIN OUT 3
795762124	NO	N/A	YES	28	1	0.030	PIN OUT 3
795762125	NO	N/A	YES	28	0.875	0.010	PIN OUT 3
795762126	NO	N/A	YES	30	0.650	0.010	PIN OUT 3
795762127	NO	N/A	YES	28	0.710	0.010	PIN OUT 3
795762128	NO	N/A	YES	28	0.935	0.010	PIN OUT 3
795762129	NO	N/A	YES	30	0.800	0.010	PIN OUT 3
795762141	NO	N/A	YES	28	1.1	0.010	PIN OUT 3
795762142	NO	N/A	YES	28	2.1	0.010	PIN OUT 3
795762012	YES	Ctrl to CTRL	NO	30	0.5	0.015	PIN OUT 2
795762137	NO	N/A	YES	28	0.6	0.015	PIN OUT 3
795762138	NO	N/A	YES	26	0.9	0.015	PIN OUT 3
795762140	YES	Ctrl to BP	YES	26	0.8	0.015	PIN OUT 1

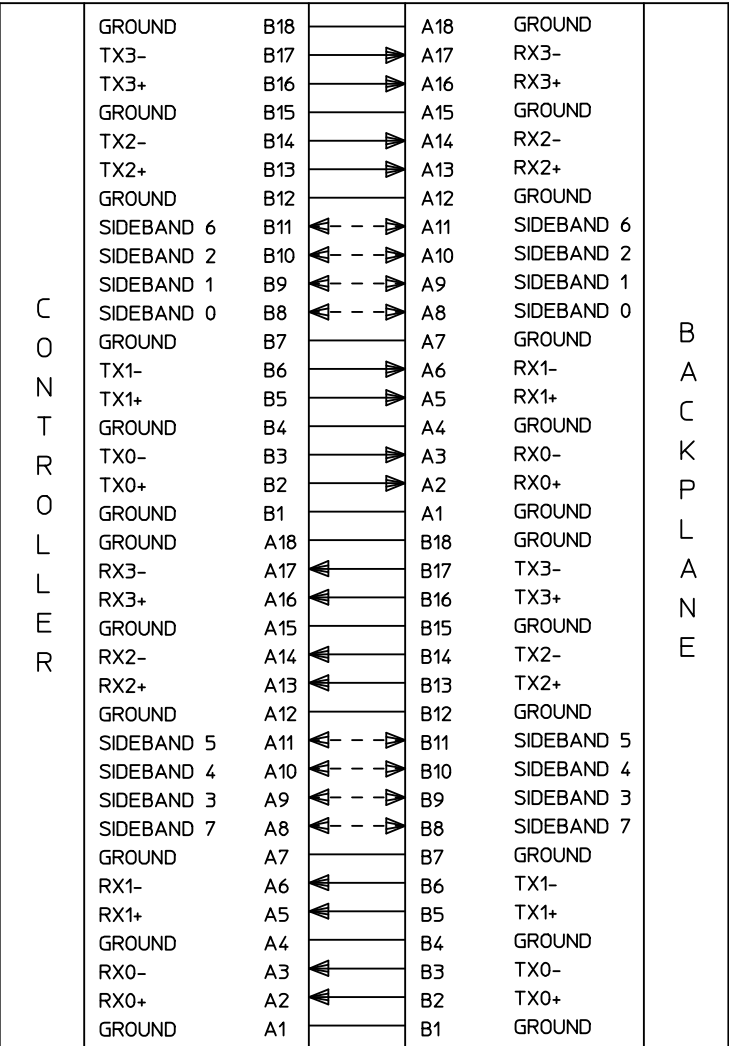


ONLY TOP CONNECTOR SHOWN FOR CLARITY

- NOTES:
- MATERIAL:
OVER MOLD - POLYBUTYLENE TEREPHTHALATE (PBT), 94-V0.
GLASS FILLED 30%.
LATCH - STAINLESS STEEL ALLOY.
CABLE -
SIGNALS PVC INSULATION
SOLID COPPER SIGNAL AND DRAIN.
INNER DIELECTRIC IS POLYOLEFIN
TWIN-AX SHIELD IS ALUMINIZED POLYESTER FOIL.
JACKET - PVC RED
PCB - FR4
 - PRODUCT TO PERFORM PER
PRODUCT SPECIFICATION: PS-75783-001.
 - PRODUCT MATES TO 75783 (RIGHT ANGLE) AND 75784 (VERTICAL) SERIES.
 - THIS PRODUCT CONFORMS TO THE MECHANICAL DIMENSIONING AND ELECTRICAL PERFORMANCE REQUIREMENTS OF SFF-8087.
 - MINIMUM RECOMMENDED BEND RADIUS 28 MM.
 - THIS PRODUCT MEETS THE RESTRICTION OF HAZARDOUS SUBSTANCES IN ELECTRICAL AND ELECTRONIC EQUIPMENT (RoHS) DIRECTIVE (2002/95/EC)
 - LABEL INFO.
MOLEX
<<PART NUMBER>>
MADE IN XXXX (XXXX: MANUFACTURING LOCATION: US/ CHINA/ PHILIPPINES)
WW/YY

IPASS™ IS A TRADEMARK OF MOLEX.

ENTER DESCRIPTION EC NO: CPG2016-4062 DRW: CJEH03 CHKD: 0001 APPR: RJSU01 2016/05/26 2016/05/26 2016/05/20	QUALITY SYMBOLS $F_A=0$ $F_G=0$ $F_P=0$	GENERAL TOLERANCES (UNLESS SPECIFIED)		DIMENSION STYLE MM/IN		SCALE ---	DESIGN UNITS METRIC	THIRD ANGLE PROJECTION	
			mm	INCH	DRAWN BY	DATE	TITLE		
		4 PLACES	± ---	± ---	JERWIN	2006/04/25	IPASS (MINI-SAS) INTERNAL CABLE 36 CKT 4X W/ SIDEBANDS		
		3 PLACES	± ---	± .01	CHECKED BY	DATE	molex SD-79576-200 1 OF 4		
2 PLACES	± 0.25	± ---	THALL	2006/04/25					
1 PLACE	± ---	± ---	APPROVED BY	DATE	MATERIAL NO.				
0 PLACE	±	±	DDOYE	2006/04/25	DOCUMENT NO.				
ANGULAR ± 1°		DRAFT WHERE APPLICABLE MUST REMAIN WITHIN DIMENSIONS		SEE TABLE		THIS DRAWING CONTAINS INFORMATION THAT IS PROPRIETARY TO MOLEX INCORPORATED AND SHOULD NOT BE USED WITHOUT WRITTEN PERMISSION			



NOTE:
 1. PINOUT CONFORMS TO SAS 1.1 9.0D SECTION 5.2.4.1.2.3
 2. ALL SIGNAL GROUNDS ARE BUSSED IN PCB.

P I N O U T 1

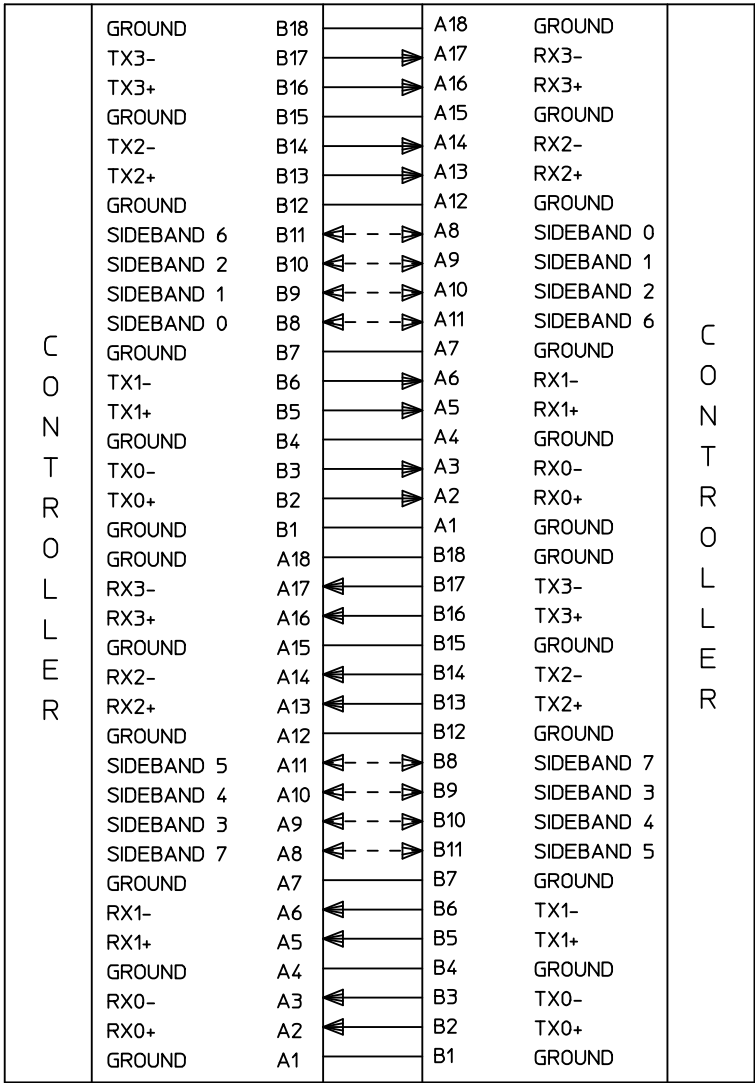
C O N T R O L L E R

B A C K P L A N E

IPASS™ IS A TRADEMARK OF MOLEX

ENTER DESCRIPTION EC NO: CPG2016-4062 DRWN: CYEH03 CHKD: LOU01 APPR: RJSU01	QUALITY SYMBOLS $F_A=0$ $F_C=0$ $F_P=0$	GENERAL TOLERANCES (UNLESS SPECIFIED)		DIMENSION STYLE MM/IN		SCALE ----	DESIGN UNITS METRIC	THIRD ANGLE PROJECTION	
			mm	INCH	DRAWN BY JERWIN	DATE 2006/04/25	TITLE IPASS (MINI-SAS) INTERNAL CABLE 36 CKT 4X W/ SIDEBANDS		
		4 PLACES	± ---	± ---	CHECKED BY THALL	DATE 2006/04/25			
		3 PLACES	± ---	± .01	APPROVED BY DDOYE	DATE 2006/04/25			
	2 PLACES	± 0.25	± ---	MATERIAL NO. SEE TABLE		DOCUMENT NO. SD-79576-200	SHEET NO. 2 OF 4		
	1 PLACE	± ---	± ---	THIS DRAWING CONTAINS INFORMATION THAT IS PROPRIETARY TO MOLEX INCORPORATED AND SHOULD NOT BE USED WITHOUT WRITTEN PERMISSION					
	0 PLACE	±	±						

10 9 8 7 6 5 4 3 2 1



NOTE

1. FOR CONTROLLER TO CONTROLLER.
2. ALL SIGNAL GROUNDS ARE BUSSED IN PCB.

P I N O U T 2

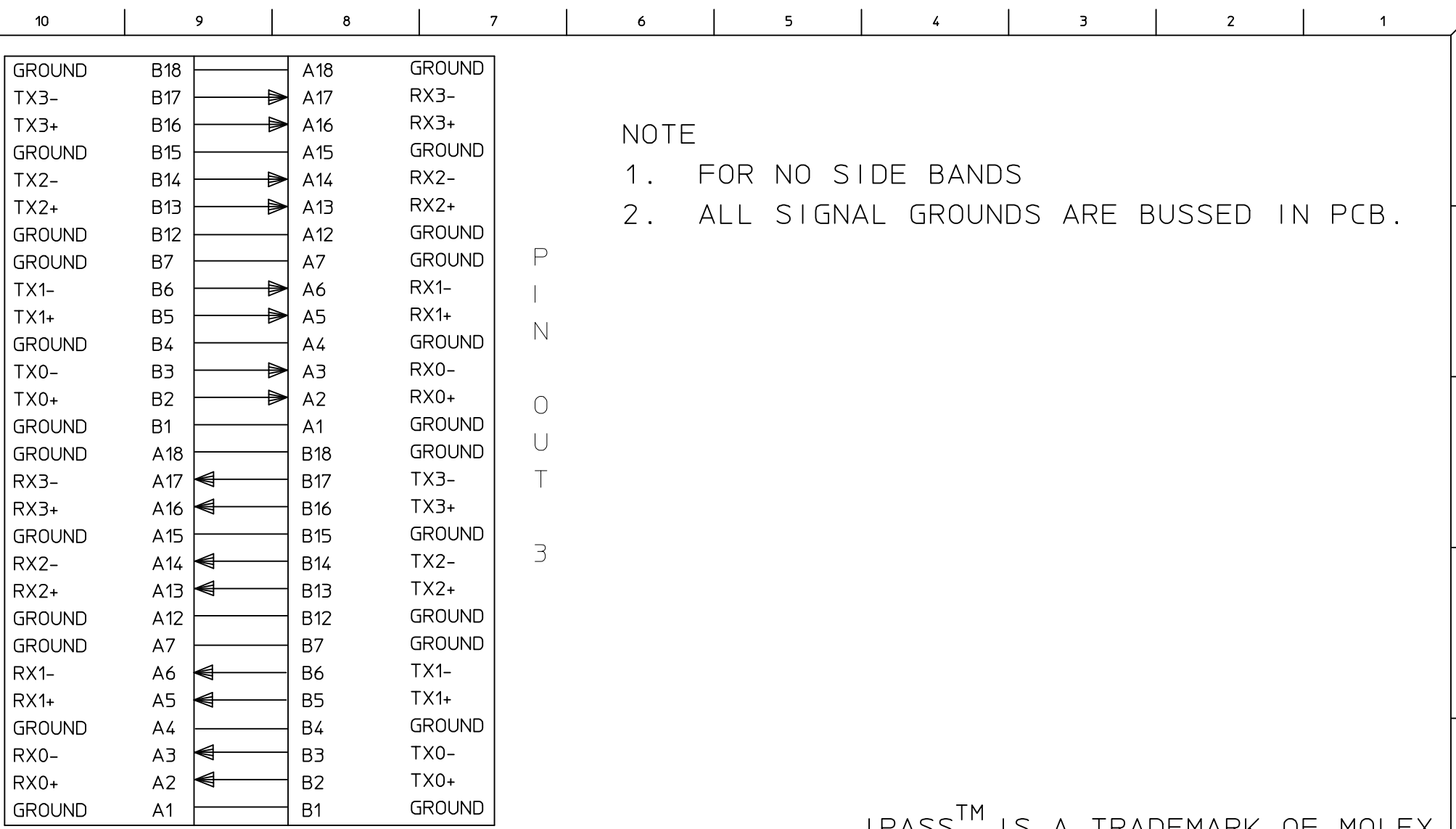
C O N T R O L L E R

C O N T R O L L E R

IPASS™ IS A TRADEMARK OF MOLEX

ENTER DESCRIPTION EC NO: CPG2016-4062 DRW: CYEH03 CHKD: LOU01 APPR: RHSU01	QUALITY SYMBOLS $F_A=0$ $F_G=0$ $F_P=0$	GENERAL TOLERANCES (UNLESS SPECIFIED)		DIMENSION STYLE MM/IN		SCALE -----	DESIGN UNITS METRIC	THIRD ANGLE PROJECTION	
		4 PLACES ± --- ± --- 3 PLACES ± --- ± .01 2 PLACES ± 0.25 ± --- 1 PLACE ± --- ± --- 0 PLACE ± ±	mm INCH	DRAWN BY JERWIN	DATE 2006/04/25	TITLE IPASS (MINI-SAS) INTERNAL CABLE 36 CKT 4X W/ SIDEBANDS			
		ANGULAR ± 1 ° DRAFT WHERE APPLICABLE MUST REMAIN WITHIN DIMENSIONS	MATERIAL NO. SEE TABLE	APPROVED BY DDOYE	DATE 2006/04/25	DOCUMENT NO. SD-79576-200			
			SIZE A3	THIS DRAWING CONTAINS INFORMATION THAT IS PROPRIETARY TO MOLEX INCORPORATED AND SHOULD NOT BE USED WITHOUT WRITTEN PERMISSION					

9 8 7 6 5 4 3 2 1



NOTE
 1. FOR NO SIDE BANDS
 2. ALL SIGNAL GROUNDS ARE BUSSED IN PCB.

IPASS™ IS A TRADEMARK OF MOLEX

ENTER DESCRIPTION EC NO: CPG2016-4062 DRWN:CYEH03 CHKD:LOU01 APPR:RHSU01	QUALITY SYMBOLS $\nabla_F=0$ $\nabla_E=0$ $\nabla_B=0$	GENERAL TOLERANCES (UNLESS SPECIFIED)		DIMENSION STYLE	SCALE	DESIGN UNITS	THIRD ANGLE PROJECTION	
				MM/IN	----	METRIC		
			mm	INCH	DRAWN BY	DATE		TITLE
		4 PLACES	± ---	± ---	JERWIN	2006/04/25		IPASS (MINI-SAS) INTERNAL CABLE 36 CKT 4X W/ SIDEBANDS
	± ---	± .01	CHECKED BY	DATE				
3 PLACES	± ---	± .01	THALL	2006/04/25				
2 PLACES	± 0.25	± ---	APPROVED BY	DATE				
1 PLACE	± ---	± ---	DDOYE	2006/04/25				
0 PLACE	±	±	MATERIAL NO.	DOCUMENT NO.				
ANGULAR ± 1 °		SEE TABLE		SD-79576-200		SHEET NO.		
DRAFT WHERE APPLICABLE MUST REMAIN WITHIN DIMENSIONS		SIZE	THIS DRAWING CONTAINS INFORMATION THAT IS PROPRIETARY TO MOLEX INCORPORATED AND SHOULD NOT BE USED WITHOUT WRITTEN PERMISSION				4 OF 4	