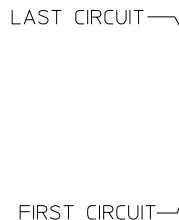
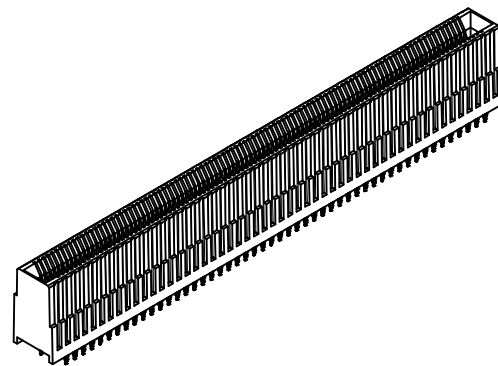
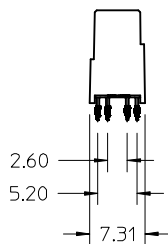
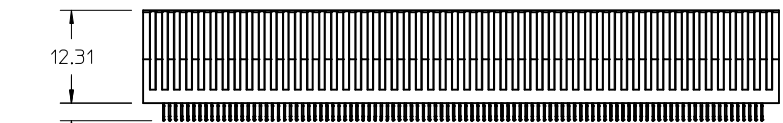


2 BAY EDGELINE



1 BAY EDGELINE



PART NUMBER	VERSION	BAY 1/BAY 2	TOTAL CIRCUITS	DIM A	SALES DRAWING (SEE NOTE 9)
76691-2278	2 BAY	143/132	278	118.63	SD-76691-2278
76691-1200	1 BAY	200	200	84.20	SD-76691-1200
76691-2108	2 BAY	86/22	108	50.63	SD-76691-2108
76691-3108	2 BAY	86/22	108	50.63	SD-76691-3108
76691-2080	2 BAY	52/28	80	39.43	SD-76691-111
76691-9046*	1 BAY	46	46	22.60	SD-76691-109
76691-1046	1 BAY	46	46	22.60	SD-76691-107

NOTES:

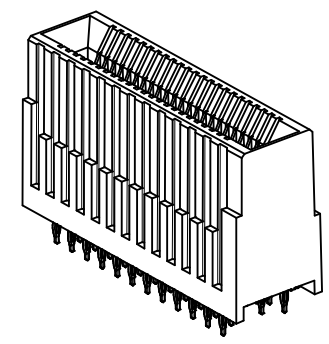
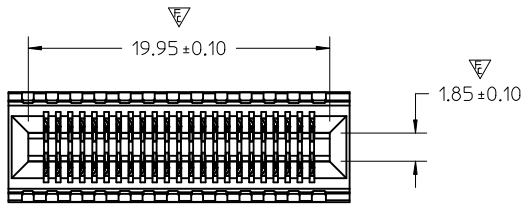
- MATERIAL:  
HOUSING - GLASS FILLED THERMOPLASTIC, 94-VO, BLACK  
TERMINALS - COPPER ALLOY
- FINISH:  
CONTACT AREA: 0.76 MICROMETER MINIMUM HARD GOLD OVER 3.80 MICROMETER NICKEL  
COMPLIANT AREA: 0.76-1.52 MICROMETER TIN (PREVIOUSLY TIN/LEAD) OVER 1.27 MICROMETER NICKEL  
\* SPECIAL FINISH:  
CONTACT AREA: 0.76 MICROMETER MINIMUM HARD GOLD OVER 3.80 MICROMETER NICKEL  
COMPLIANT AREA: 0.76-1.52 MICROMETER TIN (PREVIOUSLY TIN/LEAD) OVER 1.27 MICROMETER NICKEL
- REFER TO PS-75594-999 PRODUCT SPECIFICATION FOR ALL ELECTRICAL, MECHANICAL AND ENVIRONMENTAL SPECIFICATIONS.
- REFER TO PK-76693-900 FOR ALL PACKAGING SPECIFICATIONS.
- PROCESSING: PRESSFIT TO PC BOARD.
- MATING PC BOARD THICKNESS = 1.60±0.16MM OVER CONTACT PADS.
- PRODUCT IS ELV AND RoHS COMPLIANT. LEVEL OF COMPLIANCE: 6/6  
ALL BANNED SUBSTANCES ARE REMOVED:  
Pb (LEAD)  
HEXAVALENT CHROMIUM (CrVI)  
CADMIUM  
MERCURY  
POLYBROMINATED BIPHENYL (PBB)  
POLYBROMINATED DIPHENYL ETHER (PBDE)
- THIS PART CONFORMS TO CLASS B REQUIREMENTS OF COSMETIC SPEC PS-45499-002
- FOR EDGE CARD AND MOUNTING PCB LAYOUT DETAIL SEE CORRESPONDING SALES DRAWING.

LEADFREE CONVERTER: EC NO: UCP2013-2374 DRWN:MP0FF 2012/11/12 CHKD:MWOLFE 2012/11/12 APPR:SMILLER 2013/01/04	QUALITY SYMBOLS	GENERAL TOLERANCES (UNLESS SPECIFIED)	DIMENSION STYLE	SCALE	DESIGN UNITS	THIRD ANGLE PROJECTION
	▽=0 ▽=0 ▽=0	mm INCH	MM ONLY	2:1	METRIC	

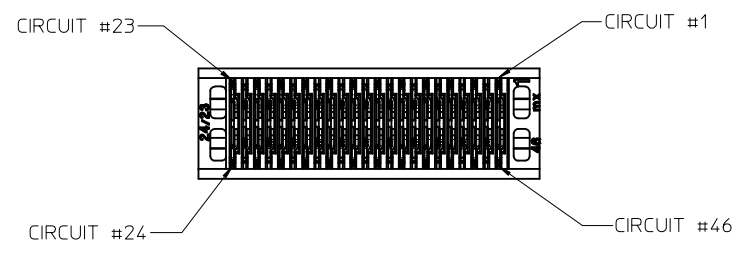
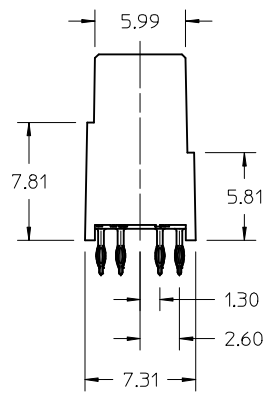
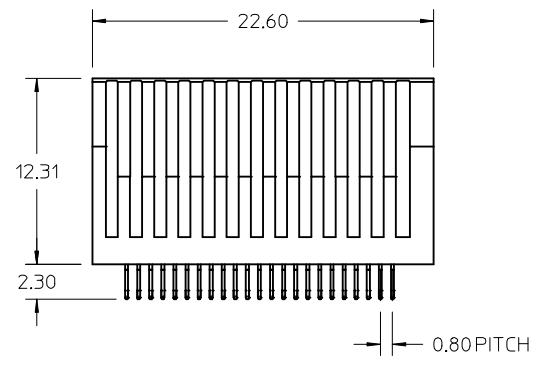
4 PLACES ± --- ± ---	DRAWN BY	DATE
3 PLACES ± --- ± ---	CHECKED BY	DATE
2 PLACES ± 0.13 ± ---	JCOMERC I	07/21/08
1 PLACE ± 0.25 ± ---	APPROVED BY	DATE
0 PLACE ± --- ± ---	JCOMERC I	2010/10/25

ANGULAR ±1/2°	MATERIAL NO.
DRAFT WHERE APPLICABLE MUST REMAIN WITHIN DIMENSIONS	SEE TABLE

EDGELINE 12.5GB 0.062*PCB 0.8MM PITCH	
<b>molex</b>	
DOCUMENT NO.	SHEET NO.
SD-76691-100	1 OF 1



PIN-OUT VIEW

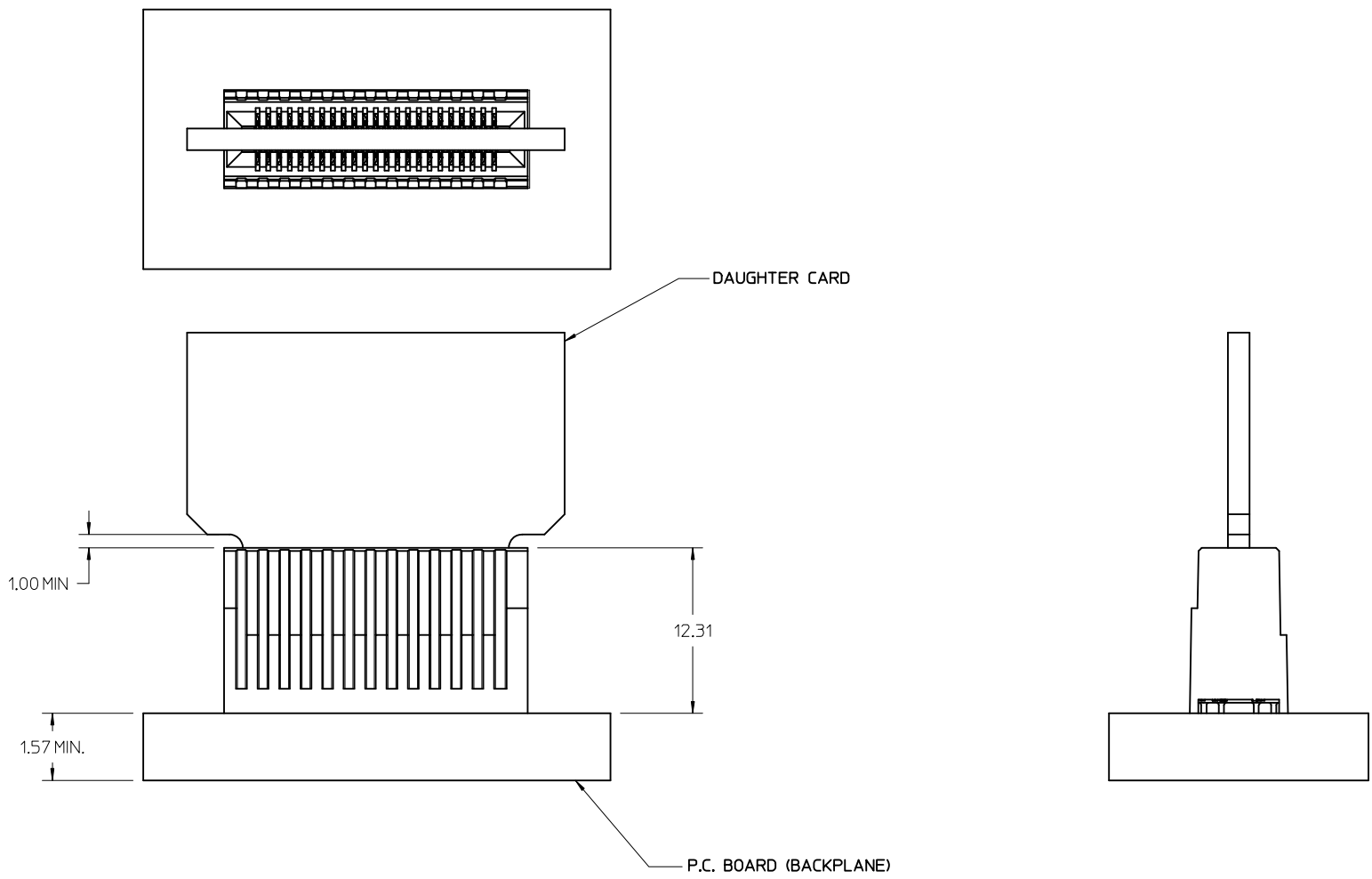


NOTES:

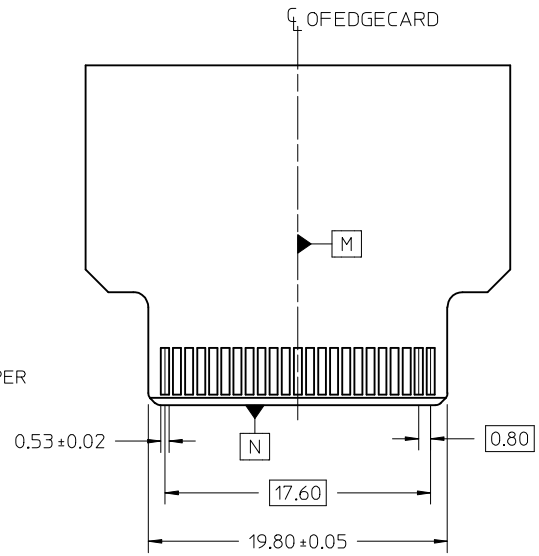
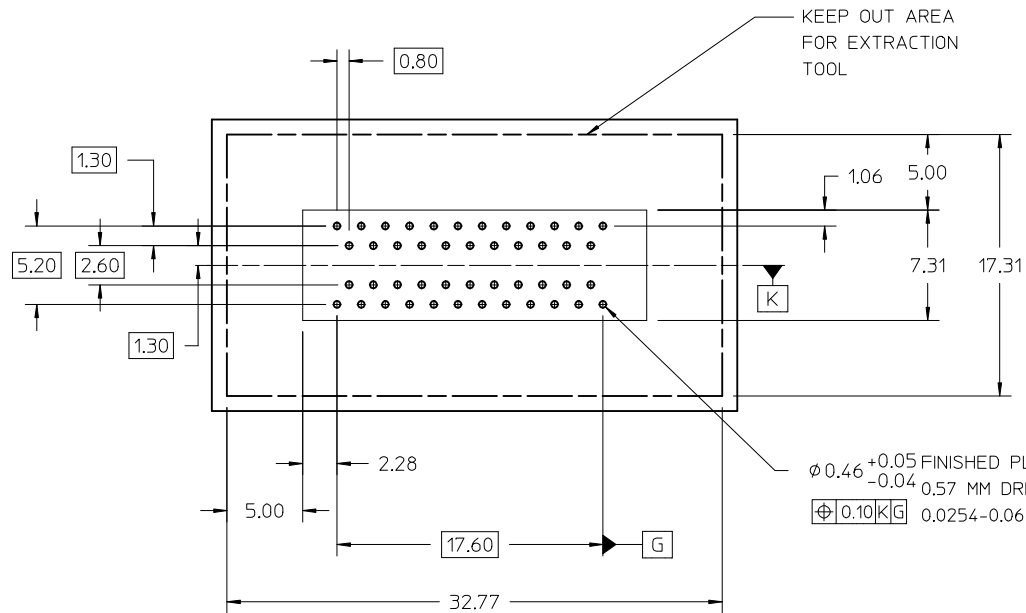
- MATERIAL:  
HOUSING - GLASS FILLED THERMOPLASTIC, 94-V0, BLACK  
TERMINALS - COPPER ALLOY
- FINISH:  
TERMINALS - 0.76 MICROMETER MINIMUM GOLD OVER 3.80 MICROMETER NICKEL IN THE CONTACT AREA AND 0.76 - 1.52 MICROMETER TIN IN PRESSFIT TAIL AREA OVER 1.27 MICROMETER MINIMUM NICKEL.
- REFER TO PS-76421-001 PRODUCT SPECIFICATION FOR ALL ELECTRICAL, MECHANICAL AND ENVIROMENTAL SPECIFICATIONS.
- REFER TO PK-75594-999 FOR ALL PACKAGING SPECIFICATIONS.
- PROCESSING: PRESSFIT TO PC BOARD.
- IN ORDER TO PROVIDE OPTIMAL ELECTRICAL PERFORMANCE, THE MATING BOARD MUST MEET REQUIREMENTS OF AMC.O R2 SPECIFICATION.
- MATING PC BOARD THICKNESS = 1.60±0.16MM OVER CONTACT PADS.
- THIS PART CONFORMS TO CLASS B REQUIREMENTS OF COSMETIC SPEC PS-45499-002

<b>LEADFREE CONVERTS.</b> EC NO: UCP2013-2374 DRWIN:POFF 2012/11/12 CHKD:HWOLFE 2012/11/12 APPR:SMILLER 2013/01/04	QUALITY SYMBOLS ▽=0 ▽=0 ▽=0	GENERAL TOLERANCES (UNLESS SPECIFIED)		DIMENSION STYLE <b>MM ONLY</b>		SCALE 4:1	DESIGN UNITS METRIC	THIRD ANGLE PROJECTION		
		4 PLACES ± --- ± ---	mm INCH	DRAWN BY DROSCA	DATE 07/08/09	TITLE <b>EDGE LINE 12.5GB 46CKTS</b> <b>0.062"PCB 0.8MM PITCH</b>				
		3 PLACES ± --- ± ---		CHECKED BY JCOMERC I	DATE 07/08/09					
		2 PLACES ± 0.15 ± ---		APPROVED BY JCOMERC I		DATE 2009/08/04	<b>molex</b> DOCUMENT NO. <b>SD-76691-109</b>			
1 PLACE ± 0.25 ± ---		MATERIAL NO. <b>766919046</b>		SHEET NO. 1 OF 5						
0 PLACE ± --- ± ---		ANGULAR ±1/2°		THIS DRAWING CONTAINS INFORMATION THAT IS PROPRIETARY TO MOLEX INCORPORATED AND SHOULD NOT BE USED WITHOUT WRITTEN PERMISSION						
DRAFT WHERE APPLICABLE MUST REMAIN WITHIN DIMENSIONS										

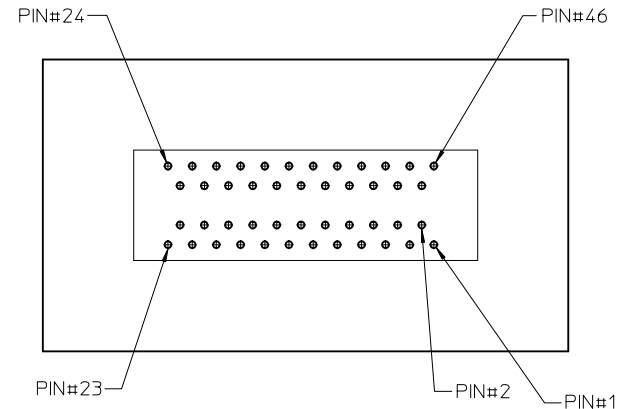
# P.C. BOARD MOUNTING



SEE SHEET 1 EC NO: UCP2013-2374 DRW:MP0FF 2012/11/12 CHKD:MWLFE 2012/11/12 APPR:SMILLER 2013/01/04	REV	DESCRIPTION	QUALITY SYMBOLS	GENERAL TOLERANCES (UNLESS SPECIFIED)	DIMENSION STYLE	SCALE	DESIGN UNITS	THIRD ANGLE PROJECTION
			▽=0	mm INCH	MM ONLY	4:1	METRIC	EDGELINE 12.5GB 46CKTS 0.062"PCB 0.8MM PITCH
			▽=0	4 PLACES ± --- ± ---	DRAWN BY DATE	<b>molex</b>	DOCUMENT NO. SD-76691-109	
			▽=0	3 PLACES ± --- ± ---	CHECKED BY DATE			SHEET NO.
				2 PLACES ± 0.15 ± ---	APPROVED BY DATE	2 OF 5		
				1 PLACE ± 0.25 ± ---	JCOMERC I 2009/08/04			
				0 PLACE ± --- ± ---	MATERIAL NO.			
				ANGULAR ±1/2°	766919046			
				DRAFT WHERE APPLICABLE MUST REMAIN WITHIN DIMENSIONS	SIZE C	THIS DRAWING CONTAINS INFORMATION THAT IS PROPRIETARY TO MOLEX INCORPORATED AND SHOULD NOT BE USED WITHOUT WRITTEN PERMISSION		



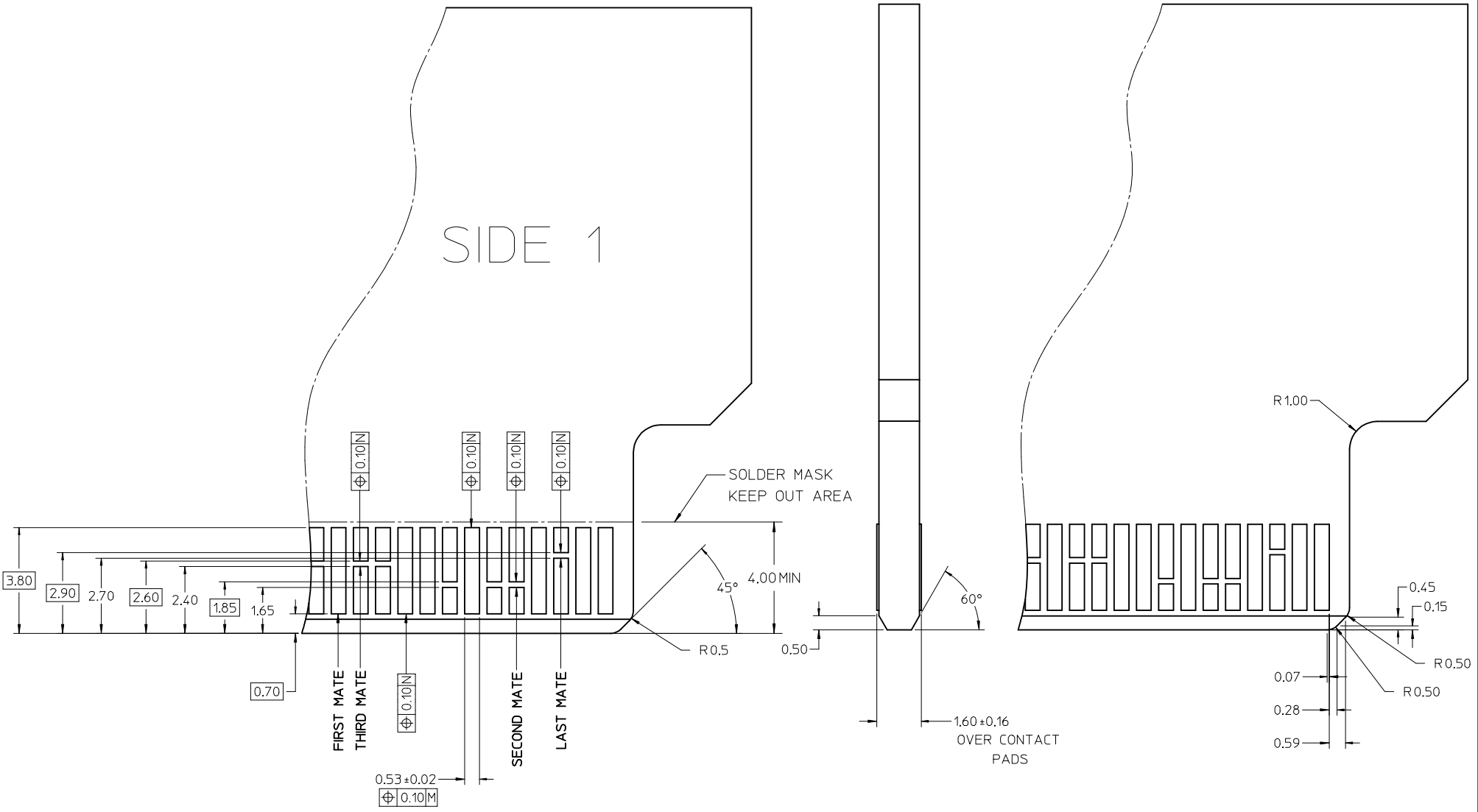
DAUGHTER CARD



MOTHER BOARD HOLE LAYOUT  
(COMPONENT SIDE)

SEE SHEET 1 EC NO: UCP2013-2374 2012/11/12 DRWN: POF CHKD: MWLFE 2012/11/12 APPR: MILLER 2013/01/04	REV	DESCRIPTION	QUALITY SYMBOLS	GENERAL TOLERANCES (UNLESS SPECIFIED)		DIMENSION STYLE		SCALE	DESIGN UNITS	THIRD ANGLE PROJECTION	
				mm	INCH	MM ONLY		4:1	METRIC		
B			▽=0 ▽=0 ▽=0	4 PLACES	±	---	±	---	DRAWN BY	DATE	EDGELINE 12.5GB 46CKTS 0.062"PCB 0.8MM PITCH
				3 PLACES	±	---	±	---	CHECKED BY	DATE	
				2 PLACES	±	0.15	±	---	JCOMERC I	07/08/09	
				1 PLACE	±	0.25	±	---	APPROVED BY	DATE	
				0 PLACE	±	---	±	---	JCOMERC I	2009/08/04	
				ANGULAR ±1/2°		MATERIAL NO.		DOCUMENT NO.		SHEET NO.	
DRAFT WHERE APPLICABLE MUST REMAIN WITHIN DIMENSIONS				766919046		SD-76691-109		3 OF 5			
THIS DRAWING CONTAINS INFORMATION THAT IS PROPRIETARY TO MOLEX INCORPORATED AND SHOULD NOT BE USED WITHOUT WRITTEN PERMISSION											

# MODULE EDGE CARD CONTACT DETAIL



Note:

These are generic details that describe the configuration of various PCB design elements. The customer must determine where and when to use each element to accommodate their specific application."

SEE SHEET 1 EC NO: UCP2013-2374 DRWN:POFF 2012/11/12 CHKD:MWOLFE 2012/11/12 APPR:SMILLER 2013/01/04	QUALITY SYMBOLS ▽=0 ▽=0 ▽=0	GENERAL TOLERANCES (UNLESS SPECIFIED)		DIMENSION STYLE MM ONLY		SCALE 10:1	DESIGN UNITS METRIC	THIRD ANGLE PROJECTION			
		mm	INCH	DRAWN BY DROSCA	DATE 07/08/09	TITLE EDGELINE 12.5GB 46CKTS 0.062"PCB 0.8MM PITCH		<b>molex</b> DOCUMENT NO. SD-76691-109 SHEET NO. 4 OF 5			
4 PLACES	± ---	± ---	CHECKED BY JCOMERC I	DATE 07/08/09	APPROVED BY JCOMERC I		DATE 2009/08/04				MATERIAL NO. 766919046
3 PLACES	± ---	± ---	0 PLACE						ANGULAR ±1/2°		
2 PLACES	± 0.15	± ---	DRAFT WHERE APPLICABLE MUST REMAIN WITHIN DIMENSIONS		SIZE C		THIS DRAWING CONTAINS INFORMATION THAT IS PROPRIETARY TO MOLEX INCORPORATED AND SHOULD NOT BE USED WITHOUT WRITTEN PERMISSION				

LEGEND 46 CIRCUITS / 0.062"PCB							
COMPONENT SIDE 1				COMPONENT SIDE 2			
PIN NO.	SIGNAL	ALLEGRO PIN NO.				SIGNAL	PIN NO.
46	GND	○			○	SIGNAL 1	1
45	SATA0_TX_P		○		○	SIGNAL 2	2
44	SATA0_TX_N	○			○	SIGNAL 3	3
43	GND		○		○	SIGNAL 4	4
42	SATA0_RX_N	○			○	SIGNAL 5	5
41	SATA0_RX_P		○		○	SIGNAL 6	6
40	GND	○			○	P5V_STBY1	7
39	SATA1_TX_P		○		○	SIGNAL 7	8
38	SATA1_TX_N	○			○	SIGNAL 8	9
37	GND		○		○	SIGNAL 9	10
36	SATA1_RX_N	○			○	SIGNAL 10	11
35	SATA1_RX_P		○		○	SIGNAL 11	12
34	GND	○			○	SIGNAL 12	13
33	SATA2_TX_P		○		○	SIGNAL 13	14
32	SATA2_TX_N	○			○	SIGNAL 14	15
31	GND		○		○	P5V_STBY2	16
30	SATA2_RX_N	○			○	SIGNAL 15	17
29	SATA2_RX_P		○		○	SIGNAL 16	18
28	GND	○			○	GND	19
27	SATA3_TX_P		○		○	SATA3_RX_P	20
26	SATA3_TX_N	○			○	SATA3_RX_N	21
25	GND		○		○	GND	22
24	RESERVE	○			○	RESERVE	23

<b>SEE SHEET 1</b> EC NO: UCP2013-2374 DRWN:MP0FF 2012/11/12 CHKD:MWLFE 2012/11/12 APPR:SMILLER 2013/01/04	QUALITY SYMBOLS 	GENERAL TOLERANCES (UNLESS SPECIFIED)		DIMENSION STYLE <b>MM ONLY</b>		SCALE <b>4:1</b>	DESIGN UNITS <b>METRIC</b>	THIRD ANGLE PROJECTION
		4 PLACES ± --- ± ---	3 PLACES ± --- ± ---	DRAWN BY DROSCA	DATE 07/08/09	TITLE <b>EDGE LINE 12.5GB 46CKTS 0.062"PCB 0.8MM PITCH</b>		
		2 PLACES ± 0.15 ± ---	1 PLACE ± 0.25 ± ---	CHECKED BY JCOMERC I	DATE 07/08/09			
		0 PLACE ± --- ± ---	ANGULAR ± 1/2°	APPROVED BY JCOMERC I	DATE 2009/08/04	MATERIAL NO. <b>766919046</b>		DOCUMENT NO. <b>SD-76691-109</b>
DRAFT WHERE APPLICABLE MUST REMAIN WITHIN DIMENSIONS		SIZE <b>C</b>	THIS DRAWING CONTAINS INFORMATION THAT IS PROPRIETARY TO MOLEX INCORPORATED AND SHOULD NOT BE USED WITHOUT WRITTEN PERMISSION					