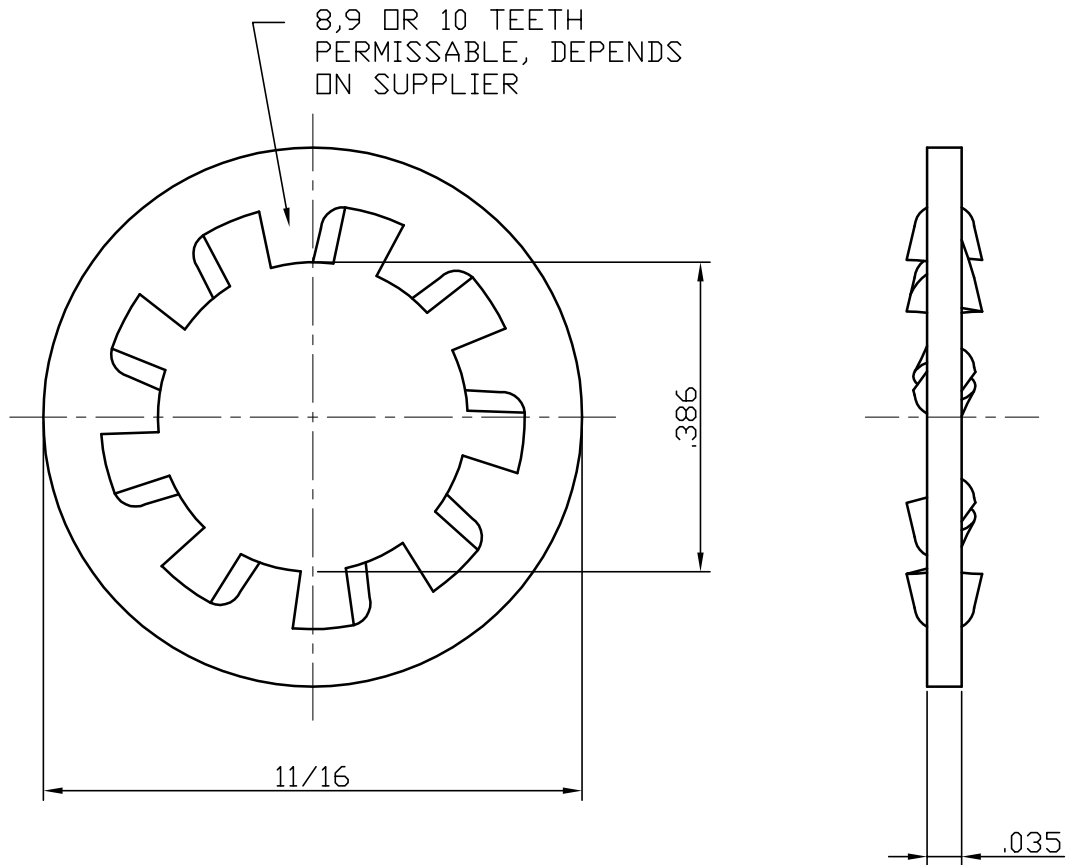


UNIT : INCH



MAT'L : STEEL
FINISH :
.0002-.0006 ZINC PHOSPHATE BLACK
PER DDD-16232F TYPE "Z"
CLASS 1 WIDIL

CTS

COMPONENTS TAIWAN LTD.
KAOHSIUNG, TAIWAN

CAD LIST : ACAD(A)-CATALOG-82
FILE NAME : 1220A

PART NO. 1220A

REV

CUSTOMER :

SCALE : N/A

TOLERANCE UNLESS OTHERWISE
SPECIFIED

DRAWN BY : C.E.Chen

APPROVED BY :

CTS TYPE : WASHER

.XXX (3 PLACE) : ± .005
ANGLE : ± 5°

CHECKED BY :

ISSUED DATE : 02-06-14'