

225x225x80mm

AC AXIAL FAN

FDA2-22580-SF Series



Features:

- Motor: External Rotor Capacitor-Run Induction Motor
- Motor Protection: Thermal Protected
- Bearing Type: Two Ball
- Connection: Terminal Block
- Frame Material: Aluminum Alloy
- Impeller Material: Steel
- **Salt Fog Rated - GR-487-CORE, ASTM B117-11, ISO 9227 Compliant**
- **IP56M Certified**
- Operating Temp:
Two Ball: -20°C~70°C
- Life Expectancy:
Two Ball: 70,000 Hours



SALT FOG

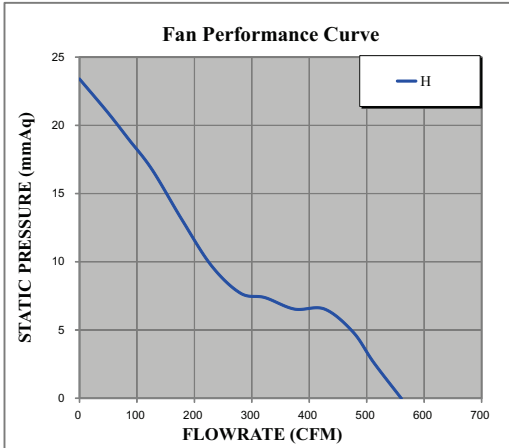
Fan-S Division



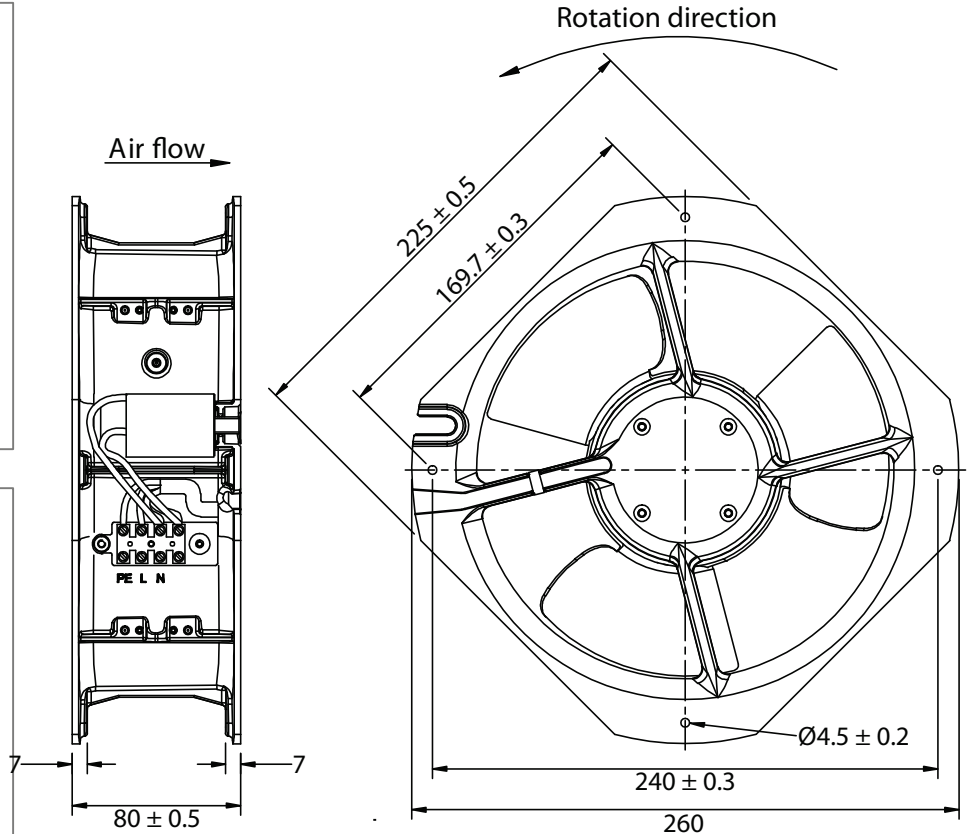
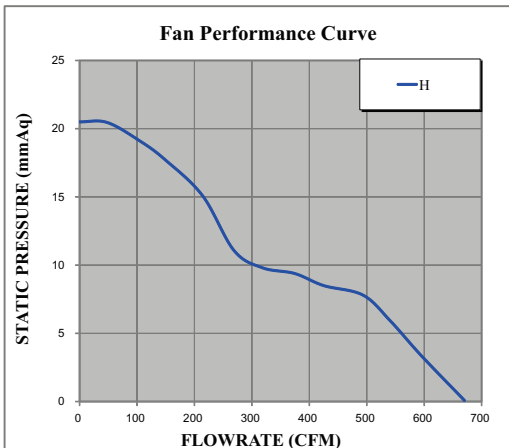
Model No.	Volt.	Freq.	Current	Power	Rated Speed	Maximum AirFlow		Maximum Static Pressure		Noise Level	Weight
	(VAC)	(Hz)	(A)	(W)	(rpm)	(CMM)	(CFM)	(InAq)	(mmAq)	(dB/A)	(g)
FDA2-22580NBHK4F-SF	115	50/60	0.61/0.62	53.0/68.0	2800/3200	16.4/19.0	580/670	0.925/0.807	23.5/20.5	68.0/71.0	2750
FDA2-22580QBHK4F-SF	230	50/60	0.26/0.31	53.0/68.0	2800/3200	16.4/19.0	580/670	0.925/0.807	23.5/20.5	68.0/71.0	2750

Noise is measured at the distance of one (1) meter from the axis of intake.

50Hz



60Hz



ISO-9001 Company

Qualtek
Electronics Corporation

www.Qualtekusa.com