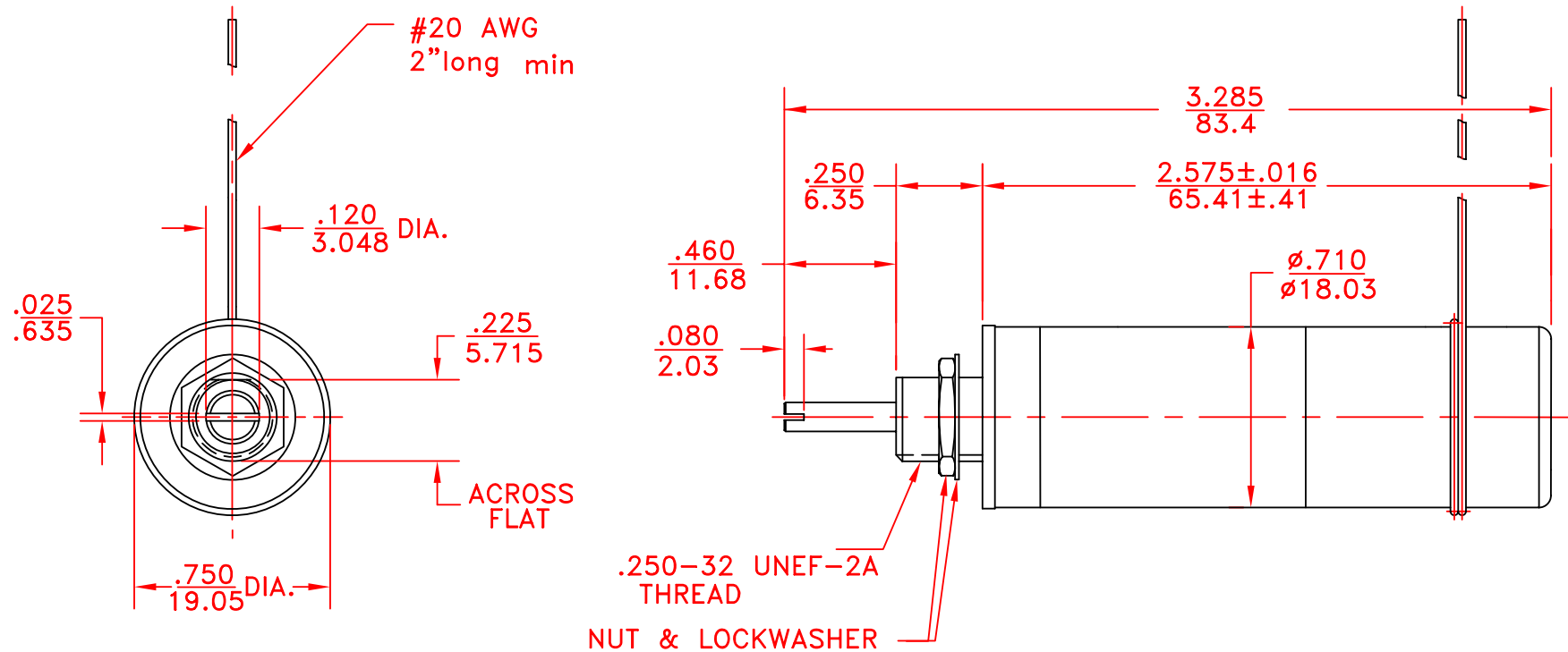


REV	DESCRIPTION	DATE	APP
00	NEW DWG	04/12/18	I.D.



**NOTES:**

1. CAPACITANCE:  $C_{max} \geq 100$  pF,  $C_{min} < 5.0$ pF.
2. WORKING VOLTAGE : 10000 VDC.
3. WITHSTANDING VOLTAGE : 20000 VDC.
4.  $Q \geq 500 @ 25$ MHZ
5. TORQUE: 0.5 TO 5.0 oz-in.
6. OPERATING TEMPERATURE :  $\leq -55^{\circ}\text{C}$  UP TO  $125^{\circ}\text{C}$
7. CONSTRUCTION : 40 psi SEALED, NON MAGNETIC.
8. DIMENSIONS IN INCHES/MM.
9. ROTATIONAL LIFE: 10,000 TURNS

TOLERANCES: (EXCEPT AS NOTED)		SPRAGUE GOODMAN ELECTRONICS INC. 1700 SHAMES DRIVE WESTBURY, NY 11590	
DECIMAL: $\pm .005$ in $\pm .130$ mm	MATERIAL:	SCALE: NONE	DRAWN BY: R. LEVIN APPROVED: I. DITLYA
FRACTIONAL: 1/64	TITLE: OUTLINE DWG SGNM100-10E		USED FOR:
ANGULAR: 1°	DATE: 04/12/18	DRAWING NUMBER SGNM100-10E	REV. 00