

DATENBLATT / DATA SHEET

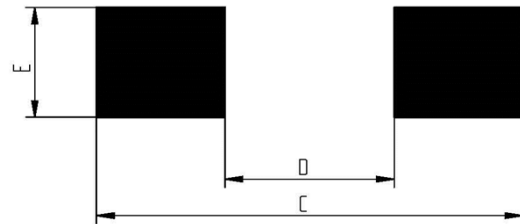
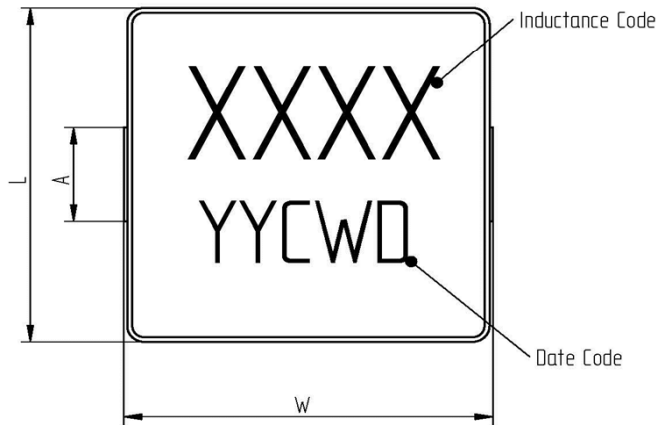
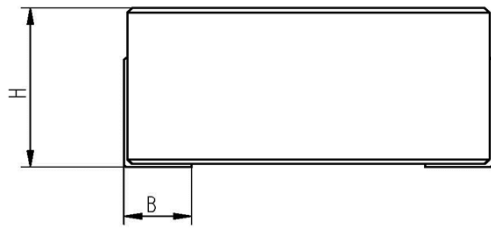


Bezeichnung: description:	WE-MASH-I 1050		Page: 1 / 3
Kunden Zg. Nr.: customer drawing no.:	N/A	WE iBE Bauteile-Nr.: WE iBE component no.:	831 654 700
DRW Referenz-Nr.: DRW reference no.:	N/A	Ausgabedatum: release date:	01.08.2017

Product values:



Mechanical Dimensions (in mm):



Recommended Land Pattern



Dimension		Unit
W	10,7	mm
L	10,0	mm
H	5,0	mm
A	3,0	mm
B	2,2	mm
C	12,6	mm
D	5,0	mm
E	3,5	mm

- Zeichnung nicht maßstabgetreu, alle Maße in mm / Drawing not scaled, all dimensions in mm

- Das abgebildete Produktfoto kann von der gewählten Produktvariante abweichen / The pictured product may not correspond to the selected product configuration

DATENBLATT / DATA SHEET



Bezeichnung: <i>description:</i>	WE-MASH-I 1050		Page: 2 / 3
Kunden Zg. Nr.: <i>customer drawing no.:</i>	N/A	WE iBE Bauteile-Nr.: <i>WE iBE component no.:</i>	831 654 700
DRW Referenz-Nr.: <i>DRW reference no.:</i>	N/A	Ausgabedatum: <i>release date:</i>	01.08.2017

Electrical Specification:						
Parameter	@	Value	Tolerance	Unit	Test Condition	Remarks
Induktivität L_0 : <i>Inductance L_0:</i>	25°C	4,70	±20%	µH	100 kHz / 100 mV	
DC-Widerstand R_{DC} : <i>DC resistance R_{DC}:</i>	25°C	14,70	max.	mΩ		
I_R :	25°C	10,0	max.	A	40 K self heating	
I_{sat} :	25°C	19,0	typical	A	$ \Delta L/L < 20\%$	
Betriebstemperatur: <i>Operating temperature:</i>		-40 to +125		°C		including self heating

Lötpad: <i>solder pad:</i>	Cu leadframe plated with Ni and Sn
Material: <i>material:</i>	carbonyl iron powder
Characteristics & Applicable documents	Magnetically capsuled design for low magnetic stray field Flat top surface for reliable pick and place process ISM0100010 (General storage conditions) ISM0100011 (General processing recommendations) ISM0100021 (Guideline on the limits of surface irregularities)

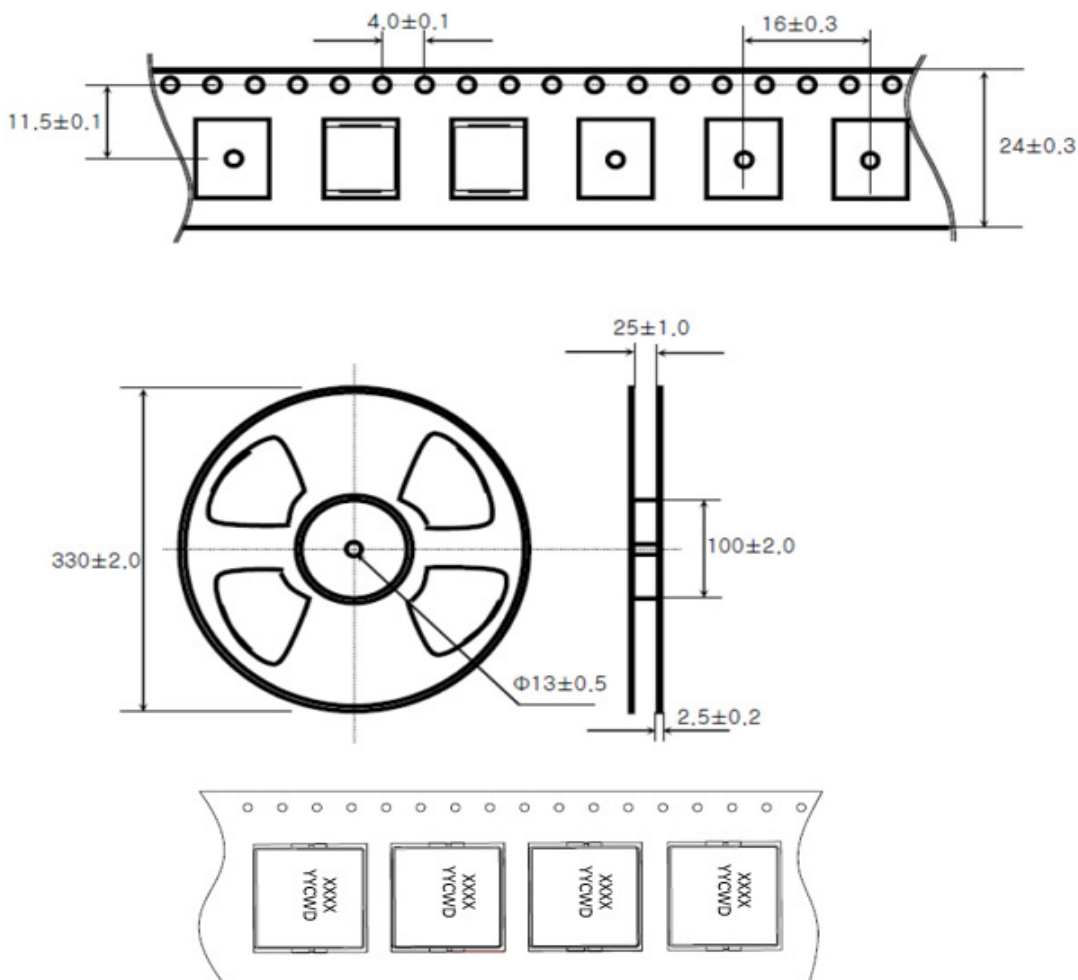


DATENBLATT / DATA SHEET



Bezeichnung: <i>description:</i>		WE-MASH-I 1050	Page: 3 / 3
Kunden Zg. Nr.: <i>customer drawing no.:</i>	N/A	WE iBE Bauteile-Nr.: <i>WE iBE component no.:</i>	831 654 700
DRW Referenz-Nr.: <i>DRW reference no.:</i>	N/A	Ausgabedatum: <i>release date:</i>	01.08.2017

Packaging specification:



packaging unit:

600 pieces per reel (50 cm customer lead in + 30 cm customer lead out)
3 reel's per cardboard box

Label specification:

Remark:

The component has not been developed and is not intended for safety-relevant applications. A use in safety-relevant applications requires a separate written approval by Würth Elektronik iBE GmbH.

Do not use the product beyond the nominal rated current as this may create excessive heat and will void the warranty

Components free from grease, oil, silicone, stamping agents or hand creme

Components have to comply with RoHs and REACH

Support of IMDS data base

Customer:
General release:

Date

Signature

Würth Elektronik iBE GmbH

D-94136 Thyrnau - Gewerbepark 8 - Germany - Phone (+49) 8501 9001-100 - Fax (+49) 8501 9001-135