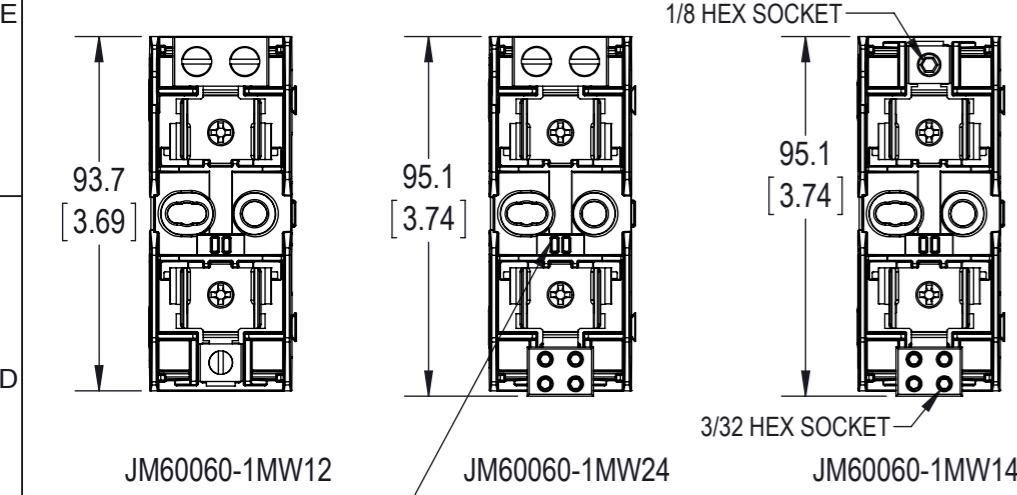


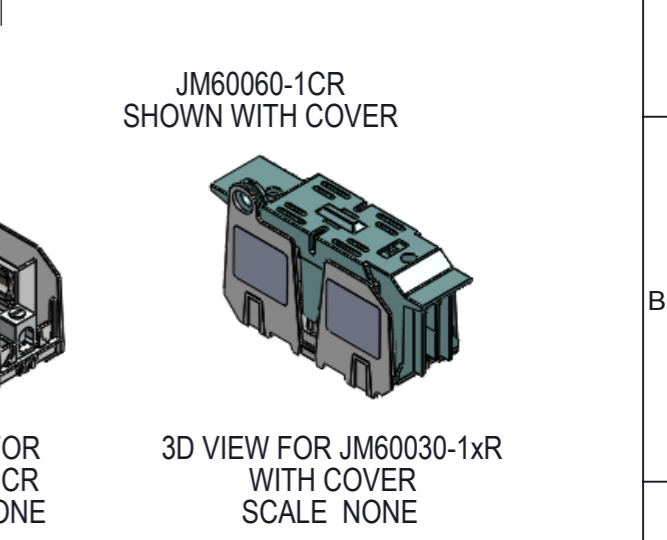
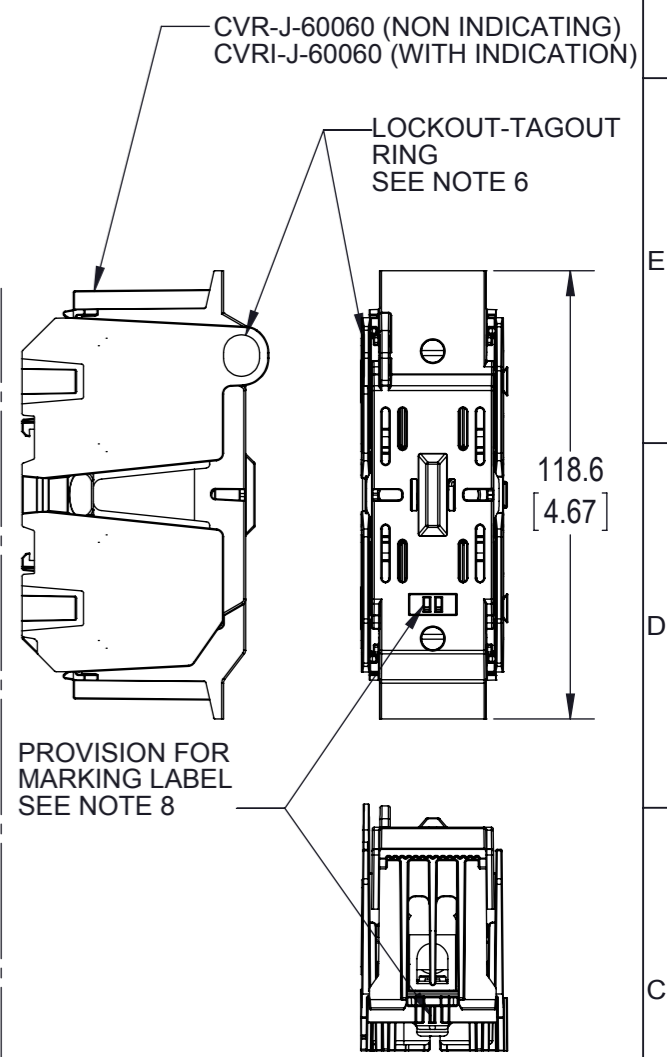
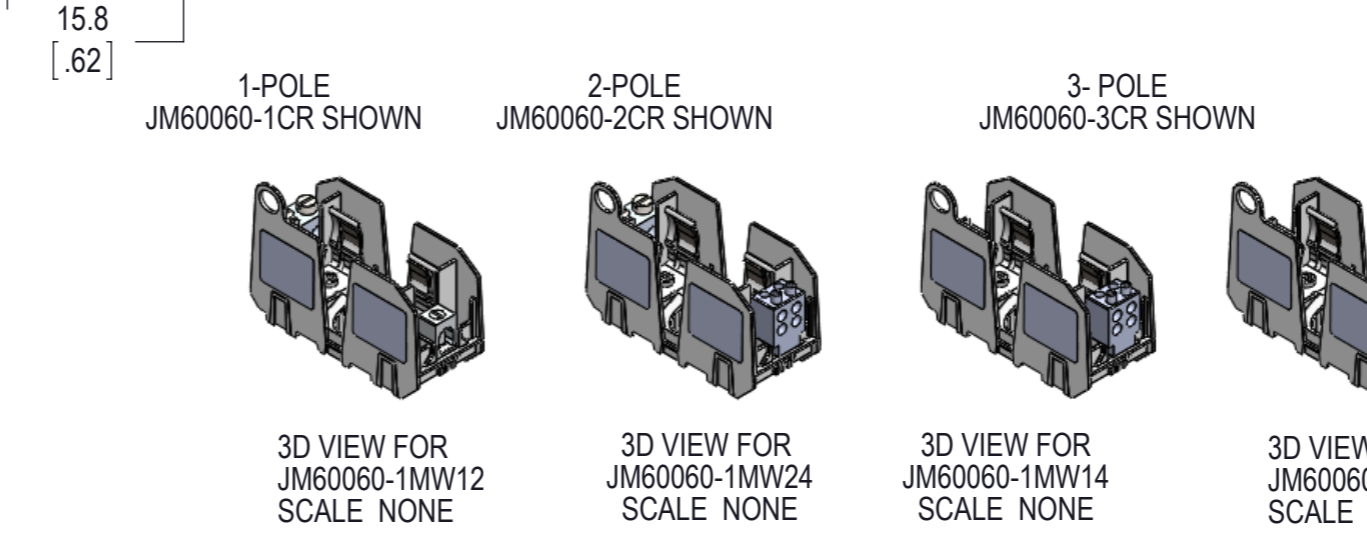
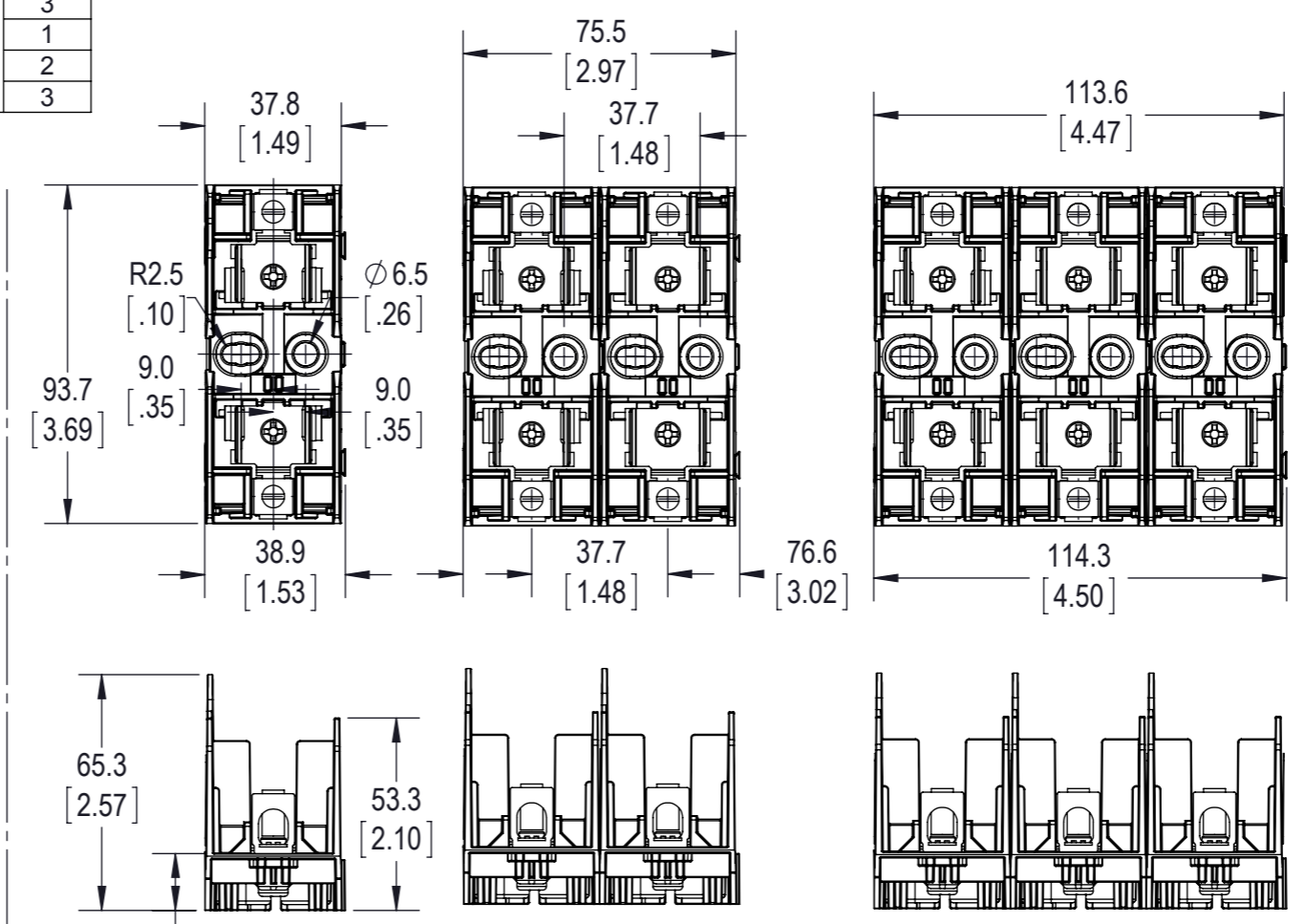
CATALOG NO.	TERMINAL TYPE	IP20 FINGER SAFE COVERS		NO. OF POLES
		W/O INDICATION	INDICATION	
JM60060-1CR	BOX LUG 1 PORT	CVR-J-60060	CVRI-J-60060	1
JM60060-2CR	BOX LUG 1 PORT			2
JM60060-3CR	BOX LUG 1 PORT			3
JM60060-1MW14	BOX LUG - 1 TO 4 PORT			1
JM60060-2MW14	BOX LUG - 1 TO 4 PORT			2
JM60060-3MW14	BOX LUG - 1 TO 4 PORT			3
JM60060-1MW12	BOX LUG - 1 TO 2 PORT			1
JM60060-2MW12	BOX LUG - 1 TO 2 PORT			2
JM60060-3MW12	BOX LUG - 1 TO 2 PORT			3
JM60060-1MW24	BOX LUG - 2 TO 4 PORT			1
JM60060-2MW24	BOX LUG - 2 TO 4 PORT			2
JM60060-3MW24	BOX LUG - 2 TO 4 PORT			3

\*-CHR ALSO AVAILABLE; SEE NOTE 11



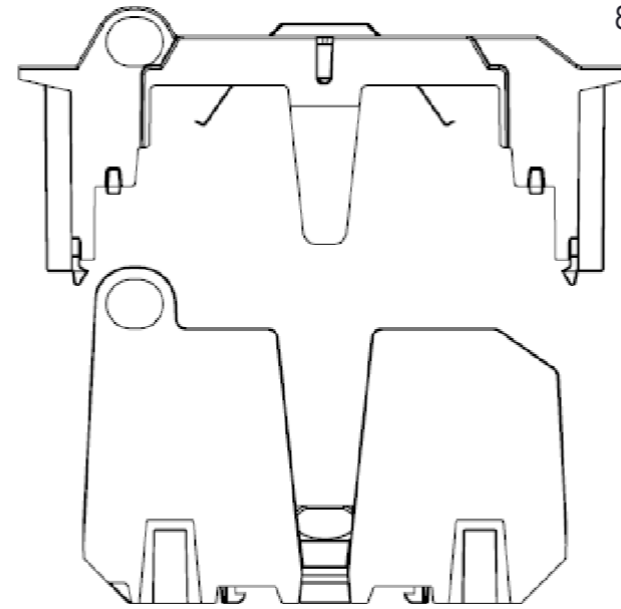
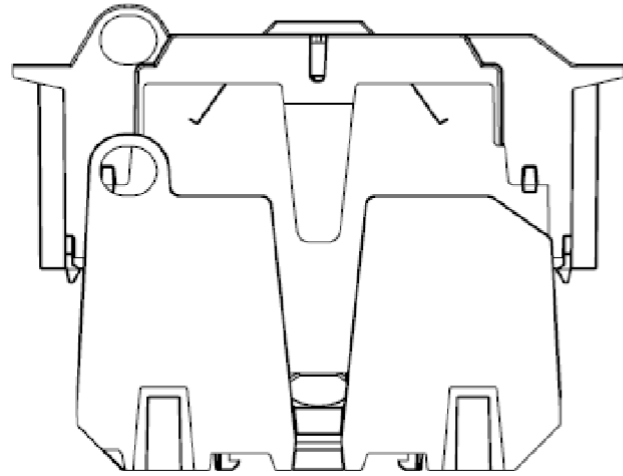
PROVISION FOR MARKING LABELS SEE NOTE 8

- NOTES:
- VOLTAGE RATING: 600V
  - AMPERAGE: 60A
  - WITHSTAND RATING: 200kA
  - WIRE: -CR/-MW12/MW14 CU/AL 75C  
-MW24 CU/AL 75/90C
  - 1 PORT WIRE RANGE: (1) 2 - 14 AWG CU  
2-3: 50 lb-in (5.6 Nm)  
4-6, 45 lb-in (5.1 Nm)  
8, 40 lb-in (4.5 Nm)  
10-14, 35 lb-in (4.0 Nm)  
(2) 12-14, 50 lb-in (5.6 Nm)
  - 4 PORT WIRE RANGE: (1) 2 - 8 AWG AL  
2-3: 50 lb-in (5.6 Nm)  
4-6, 45 lb-in (5.1 Nm)  
8, 40 lb-in (4.5 Nm)  
(2) 8-14 AWG CU  
8 AWG 3.4 Nm (30 in-lb)  
14-10 2.8 Nm (25 in-lb)  
(2) 12-14 AWG CU  
12-14 3.4 Nm (30 in-lb)
  - 2 PORT WIRE RANGE: (1) 8-10 AWG AL  
8 Str/10 Sol: 3.4 Nm (30 in-lb)  
(1) CU 2-14, AL 2-8  
2 - 4 AWG 5.6 Nm (50 lb-in)  
6-10 AWG 4.5 Nm (40 lb-in)  
12-14 AWG 1.7 Nm (15 lb-in)
  - USE 4MM DIA. CABLE LOCK OR 1/4 INCH DIA. HASP PADLOCK.
  - RECOMMEND USING DIN-RAIL END STOPS FOR DIN RAIL MOUNTED APPLICATIONS  
BUSSMANN PART NUMBERS BRKT-ND OR BRKT-NDSCREW2
  - USE BUSMANN MAKER LABEL TM26CB
  - ALL DIMENSIONS ARE TYPICAL UNLESS OTHERWISE INDICATED
  - CHR IS IDENTICAL TO THE -CR EXCEPT WITH A 1/8 INCH HEX WIRE CONNECTOR SCREW

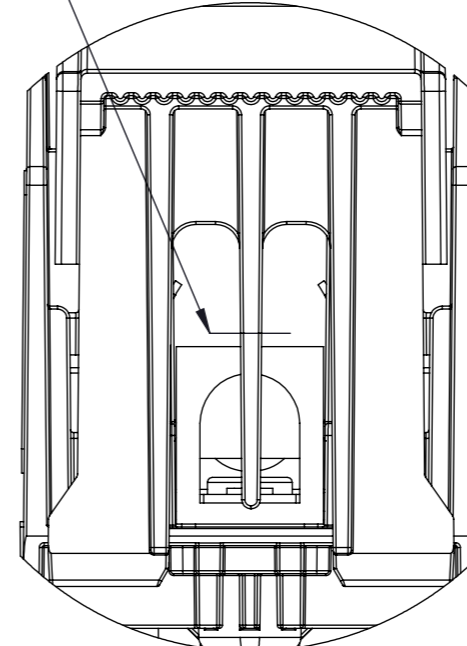


EATON CORPORATION - CONFIDENTIAL AND PROPRIETARY NOTICE TO PERSONS RECEIVING THIS DOCUMENT AND/OR TECHNICAL INFORMATION		THIS DRAWING IS AN UNCONTROLLED COPY IF PRINTED OR SENT ELECTRONICALLY. DO NOT SCALE DRAWING	
GENERAL DRAWING PRACTICES IN ACCORDANCE WITH ASME - Y14.100-2004 DIMENSIONS AND TOLERANCES IN ACCORDANCE WITH ASME - Y14.5M-1994		UNLESS OTHERWISE SPECIFIED DIMENSIONS ARE IN MILLIMETERS	
UNLESS OTHERWISE SPECIFIED TOLERANCES TO BE MILLIMETERS ±.13 mm ANGULAR ± 1°		UNLESS OTHERWISE SPECIFIED TOLERANCES TO BE MILLIMETERS ±.13 mm ANGULAR ± 1°	
CUSTOMER PRINT THIRD ANGLE PROJECTION		TITLE <b>600V / 60AMP CLASS J FUSE BLOCK</b>	
SIZE <b>A3</b>	DWG NO. <b>JM60060-SERIES-CP</b>	REV <b>B</b>	SHEET 1 OF 2
SCALE: 1:2			

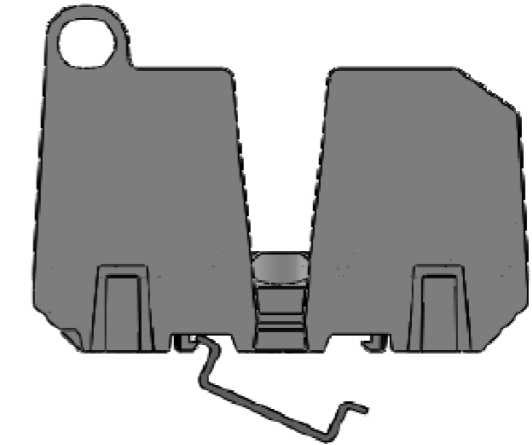
© 2012 Eaton Corporation, All Rights Reserved.



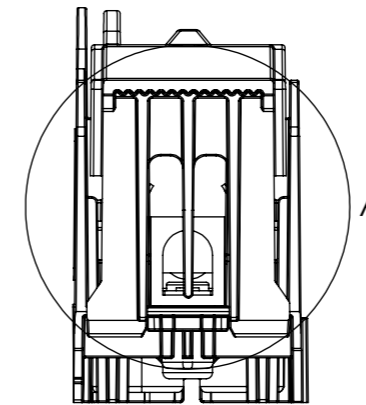
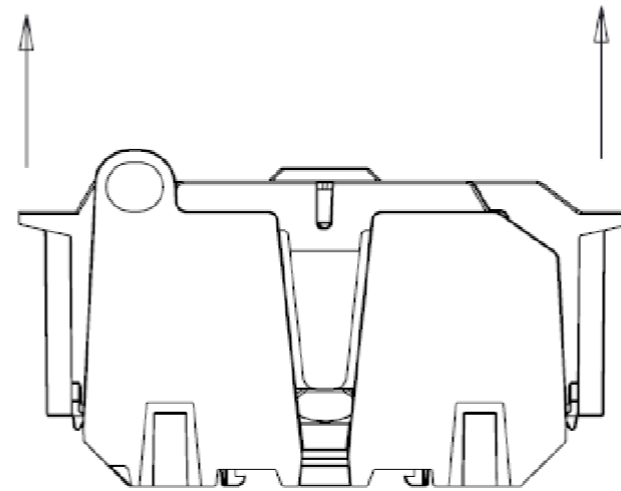
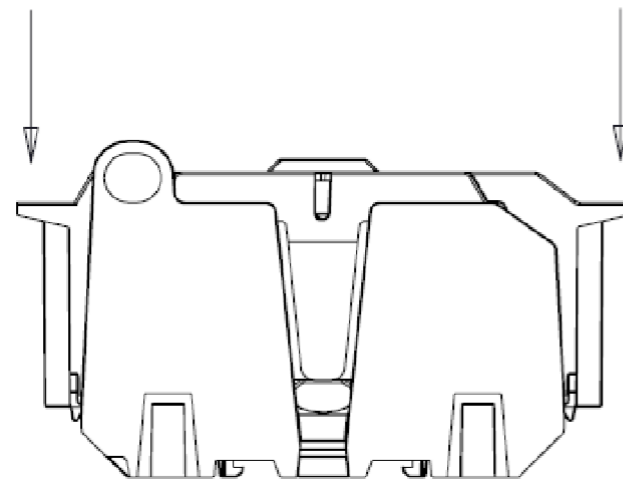
CUT COVER TAB  
AT NOTCH FOR  
USE WITH WIRES  
LARGER THAN  
8 AWG



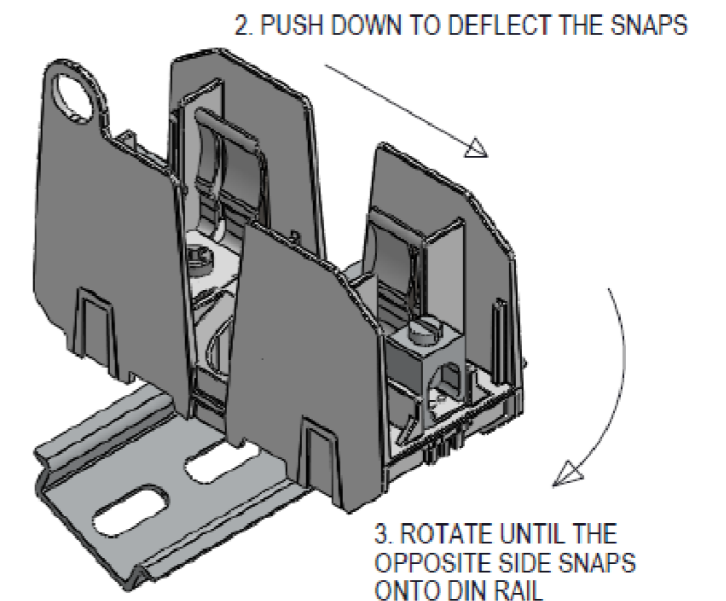
DETAIL A  
SCALE 8 : 5



1. HOOK DIN RAIL SNAPS ON ONE SIDE OF THE DIN RAIL



A



2. PUSH DOWN TO DEFLECT THE SNAPS

3. ROTATE UNTIL THE  
OPPOSITE SIDE SNAPS  
ONTO DIN RAIL

**CLOSING**  
PUSH STRAIGHT DOWN UNTIL SNAPS CLICK  
INTO PLACE

**OPENING**  
PULL STRAIGHT UP AT BOTH OUTSIDE  
HANDLES

**INSTALLATION ON DIN RAIL**  
END STOPS MAY BE NECESSARY FOR SOME  
ASSEMBLY CONDITIONS - SEE NOTE 7

**EATON** BUSSMANN  
SERIES

TITLE  
**600V / 60AMP CLASS J FUSE BLOCK**

SIZE DWG NO. REV  
**A3** **JM60060-SERIES-CP** **B**

SCALE: 4:5 SHEET 2 OF 2

SLA3\_BUSS\_JME\_CERBL\_REV\_A