

P	LTR	DESCRIPTION	DATE	DWN	APVD
	A1	NEW DRAWING	07MAY2014	YR	CS

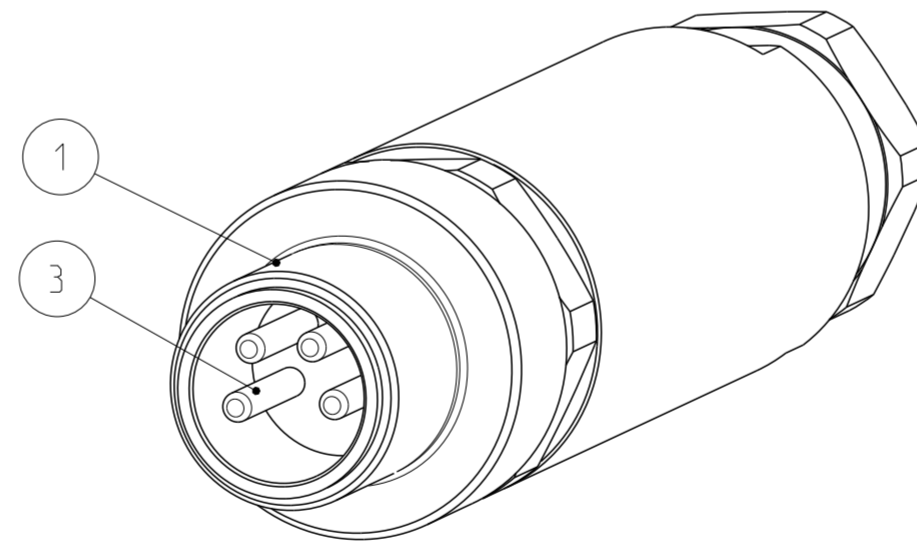
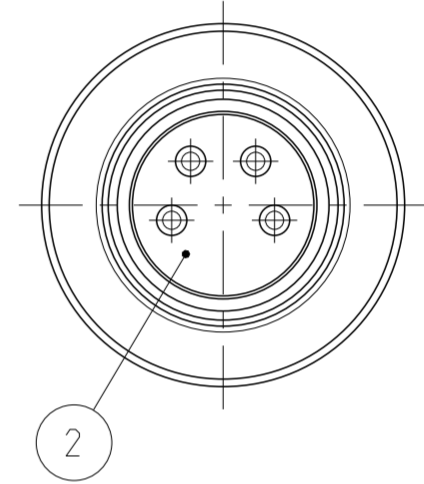
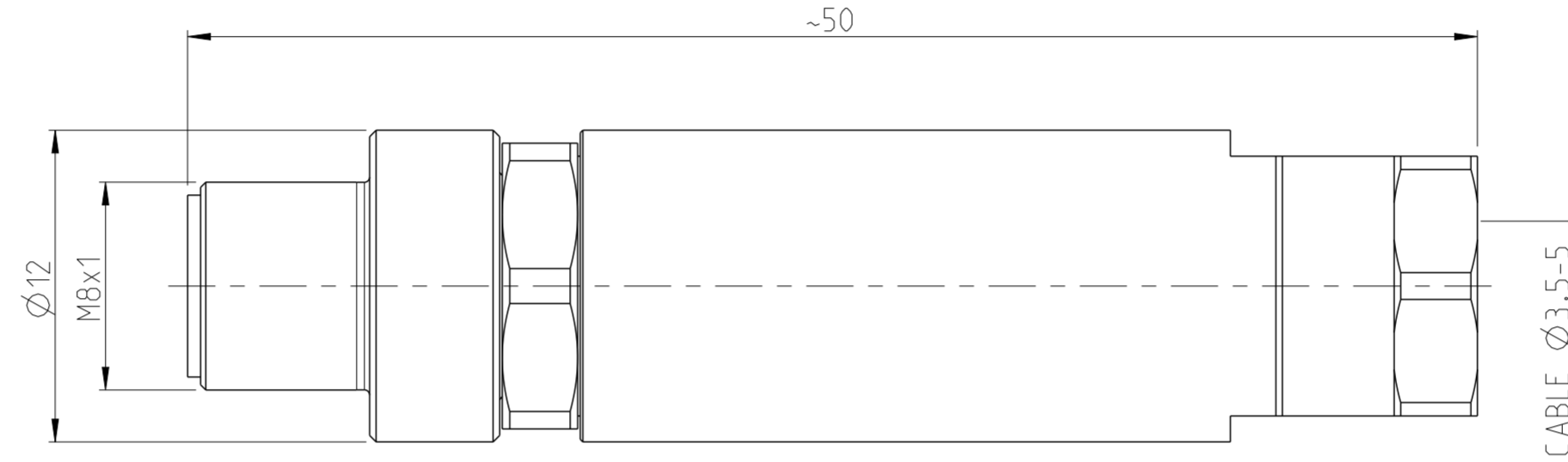
1 MATERIAL: ITEM NO. 1: HOUSING - PBT/PA  
 ITEM NO. 2: CONTACT BODY - PA  
 ITEM NO. 3: CONTACT - CuZn (brass)  
 CONTACT FINISH - Au (gold)

2 ALL DIMENSIONS ARE FOR NOMINAL REFERENCE ONLY UNLESS OTHERWISE STATED

3 MEASUREMENT REFERENCE ONLY

4 PACKAGING: 1 PIECE IN A BAG

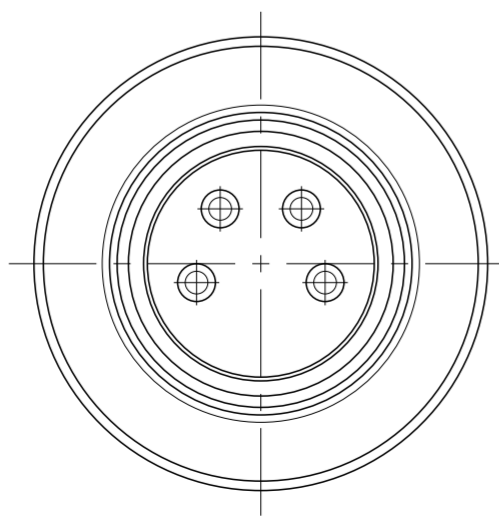
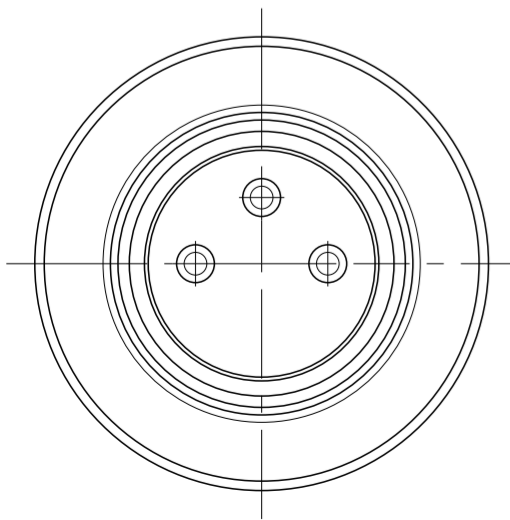
TECHNICAL DATA	0-2120954-1	1-2120954-1
RATED VOLTAGE	60V	30V
RATED IMPULSE VOLTAGE	800V	800V
POLLUTION DEGREE	3	3
OVERVOLTAGE CATEGORY	II	II
MATERIAL GROUP	III	III
RATED CURRENT	4A	4A
VOLUME RESISTIVITY	≤ 3mΩ	≤ 3mΩ
DEGREE OF PROTECTION	IP67	IP67
UPPER TEMPERATURE	+85 °C	+85 °C
LOWER TEMPERATURE	-40 °C	-40 °C



PIN ARRANGEMENT (SCALE 5:1)

0-2120954-1

1-2120954-1



1-1 AS SHOWN WIE GEZEICHNET

3.5-5	26-20 / 0,14-0,5mm <sup>2</sup>	1	4	1-2120954-1
3.5-5	26-20 / 0,14-0,5mm <sup>2</sup>	1	3	0-2120954-1
CABLE FEED-THROUGH mm	WIRES AWG / mm <sup>2</sup>	MATERIAL	NUMBER OF POLES	TE-PART-NO.

DIESE ZEICHNUNG IST EIN KONTROLLIERTES DOKUMENT. BEMASSUNGEN UND TOLERANZEN GEMAESS GPS (ISO STANDARDS).		DWN 07MAY2014		TE Connectivity	
THIS DRAWING IS A CONTROLLED DOCUMENT. DIMENSIONING AND TOLERANCING PER GPS (ISO STANDARDS).		CHK 07MAY2014			
DIMENSIONS: MASSEINHEITEN: (MM)		APVD 07MAY2014			
TOLERANCES UNLESS OTHERWISE SPECIFIED: ALLGEMEINTOLERANZEN		NAME C. SCHRETLINGER			
1 PLC ±	2 PLC ±	3 PLC ±	4 PLC ±	M8 MALE STRAIGHT, FIELD INSTALLABLE, UNSHIELDED CONNECTOR, SOLDER TERMINALS.	
ANGLES/WINKEL ±		FINISH/OBERFLAECHE/FARBE		SIZE A2	CAGE CODE 100779
MATERIAL		WEIGHT GEWICHT		DRAWING NO. ZEICHNUNGS-NR. C-2120954	
		Customer Drawing		/KUNDENZEICHNUNG SCALE MASSSTAB 4:1 SHEET BLATT 1 OF VON 1 REV A1	

SIZE ISO 14405 (E)