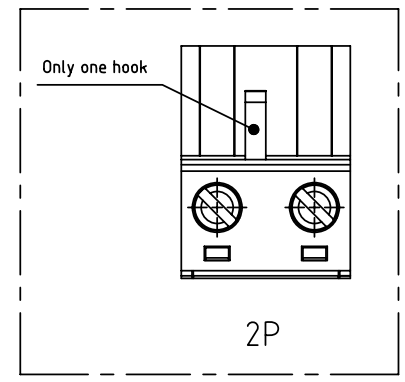
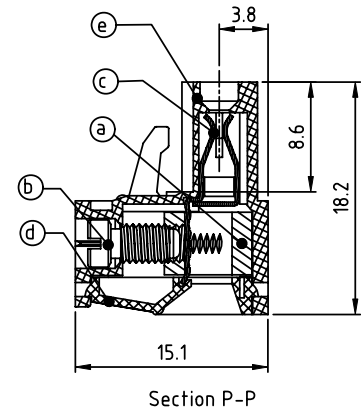
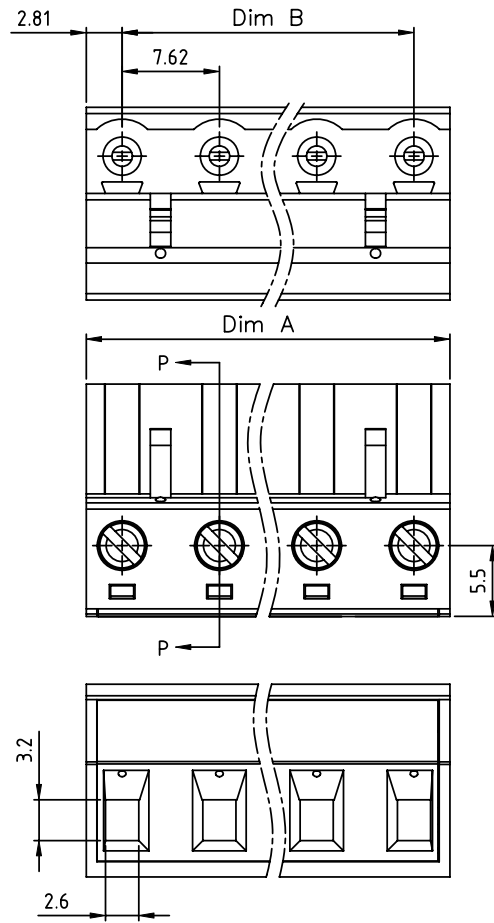


PRODUCT NUMBER	PITCH
TJxx01x000J0G	7.62 mm



- Material**
- Item (a) Clamp: Brass(CuZn) Ni plated
 - Item (b) Terminal screw: Steel Zinc plating "-" slot type
 - Item (c) Female contact: High conductivity copper, Tin plated
 - Item (d) Terminal Cover: Thermoplastic (UL94V-0)
 - Item (e) Terminal housing: Thermoplastic (UL94V-0)

- Electrical cULus**
- Voltage rating: 300VAC
 - Current rating: 20A
 - Wire range:
 - Solid wire(AWG): 12-24
 - Stranded wire(AWG): 12-24
 - Torque: 5Lb-In
 - Screw: M3
 - Wire strip length: 7-8mm
 - Withstanding Voltage: 1.6KV
 - Operating temperature: -40°C to +115°C
 - Safety Approval:

N = Number of poles
Dim A=(N-1)X7.62+5.62
Dim B=(N-1)x7.62

Poles	Tolerance
2p-4p	±0.15
5p-8p	±0.20
9p-12p	±0.30
13p-16p	±0.40

TJ xx 01 x 0 00J0 G

No. of poles	Color	RoHS compliant (lead<4% In copper Alloy)
02 2 poles	0 Black (RAL9005)	
03 3 poles	2 Red (RAL3001/D)	
...	3 Orange(RAL2011/P)	
...	4 Yellow(RAL1018/A)	
16 16 poles	5 Green(RAL6018/T)	
	6 Blue (RAL5015/A)	
	8 Grey(RAL7035/D)	
	9 White(RAL1102)	
	C Green(RAL6018/U)	

mat'l. code		surface ASME Y14.5 ✓	tolerance ASME Y14.5	projection	product family
ltr	ecn no	dr	date		TERMINAL BLOCK
				tolerances unless otherwise specified	title
				angles	TERMINAL BLOCK
				X.±0.5	PLUGGABLE PLUG,WITHOUT FLANGE
				X.X±0.3	scale
				X*±1*	X.XX±0.1
				dr	HANKE FENG 032514
				enr	HANKE FENG 032514
				chr	SHI JUN 032514
				appd	SHI JUN 032514
sheet index		revision	A		dwg no
sheet		1			TJxx01x000J0G
					sheet 1 of 1
					size A4
					type CUSTOMER Drawing