

Specification Status: RELEASED

Electrical Rating

Voltage: 16V_{oc} MAX
Current: 100A MAX

INSULATING MATERIAL:

Cured, Flame Retarded Epoxy Polymer
 meets UL94 V-0 Requirements

LEAD MATERIAL:

18 AWG Tin/Lead Plated Copper

PART MARKING:

Raychem Logo and Voltage
 XX 16
 H15 — Part Identification
 □ □ □ □ — Lot Identification (can be on back)

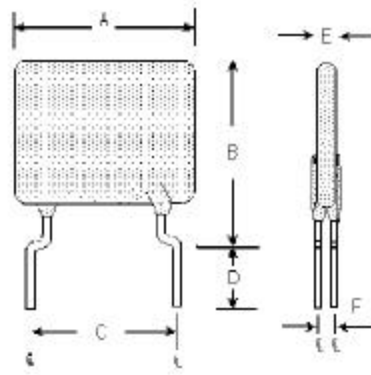


TABLE I. DIMENSIONS:

	A		B		C		D		E		F
	MIN	MAX	MIN	MAX	MIN	MAX	MIN	MAX	MIN	MAX	TYP
mm:	-	23.5	-	28.7	9.4	10.9	7.6	-	-	3.6	1.4
in*:	-	(0.925)	-	(1.13)	(0.37)	(0.43)	(0.30)	-	-	(0.14)	(0.06)

*Rounded off approximation

TABLE II. PERFORMANCE RATINGS:

I HOLD	CURRENT RATINGS				TIME TO TRIP	RESISTANCE		TRIPPED-STATE POWER DISSIPATION	
	AMPS AT 25°C HOLD	AMPS AT 0°C HOLD	AMPS AT 25°C TRIP	AMPS AT 60°C HOLD		SECONDS AT 25°C, 75A MAX	OHMS AT 25°C MIN		OHMS AT 25°C MAX
15.0	-	-	15.0	28.0	-	-	0.0032	0.0092	7.0

Reference Documents:
 Precedence:
 Effectivity:
 CAUTION:

PS300
 This specification takes precedence over documents referenced herein.
 Reference documents shall be the issue in effect on the date of invitation for bid.
 Operation beyond the rated voltage or current may result in rupture, electrical arcing or flame.