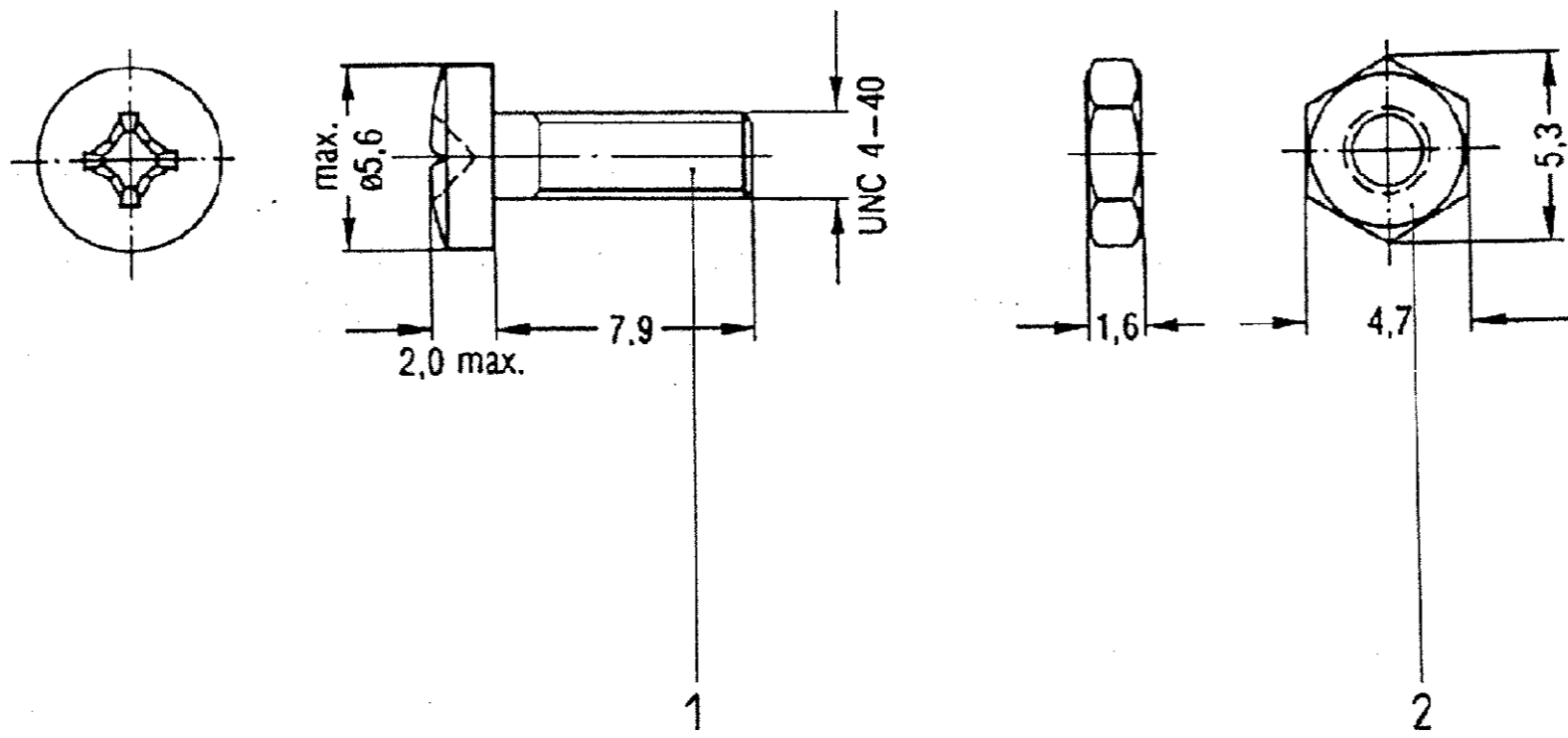


THIS INFORMATION IS CONFIDENTIAL AND PROPRIETARY TO TYCO ELECTRONICS CORPORATION AND ITS WORLDWID  
 SUBSIDIARIES AND AFFILIATES. IT MAY NOT BE DISCLOSED TO ANYONE, OTHER THAN TYCO ELECTRONICS PERSONEL,  
 WITHOUT WRITTEN AUTHORIZATION FROM TYCO ELECTRONICS CORPORATION, HARRISBURG, PENNSYLVANIA USA.

PROPRIETARY



**NOTE:**

1 OBSOLETE PARTS: OBSOLETE CIS STREAMLINING  
 PER D.RENAUD/D.SINISI

Aktuelles Sachnummern.  
 Kontaktieren Sie Tyco Electronics  
 für weitere Varianten

Altes Sachnummer	Tyco Sachnummer	
V42254-A162-V1	2-1393560-9	
V42254-A162-V2	<del>3-1393560-0</del>	OBSOLETE <span style="border: 1px solid black; padding: 2px;">1</span>

TYCO ELECTRONICS CORPORATION OOSTKAMP - BELGIUM		DIMENSIONS IN MM	SCALE 5:1	WEIGHT
			MATERIAL	
		DATE 29.09.88	PART NAME <b>Bolzensatz</b>	
		NAME De Petter		
		DEP. PD Com		
		TOLERANCE UNLESS SPECIFIED OTHERWISE		PART NO.
A1	ECO-09-026495	NOV09	AEG	V42254-A162-V1-* -27
A	WO 01/7022	19.12.00	VS	
01		07.10.88	DPI	
REV.	CHANGE ORDER	DATE	APP.	Customer Drawing Nr. C 2-1393560-9