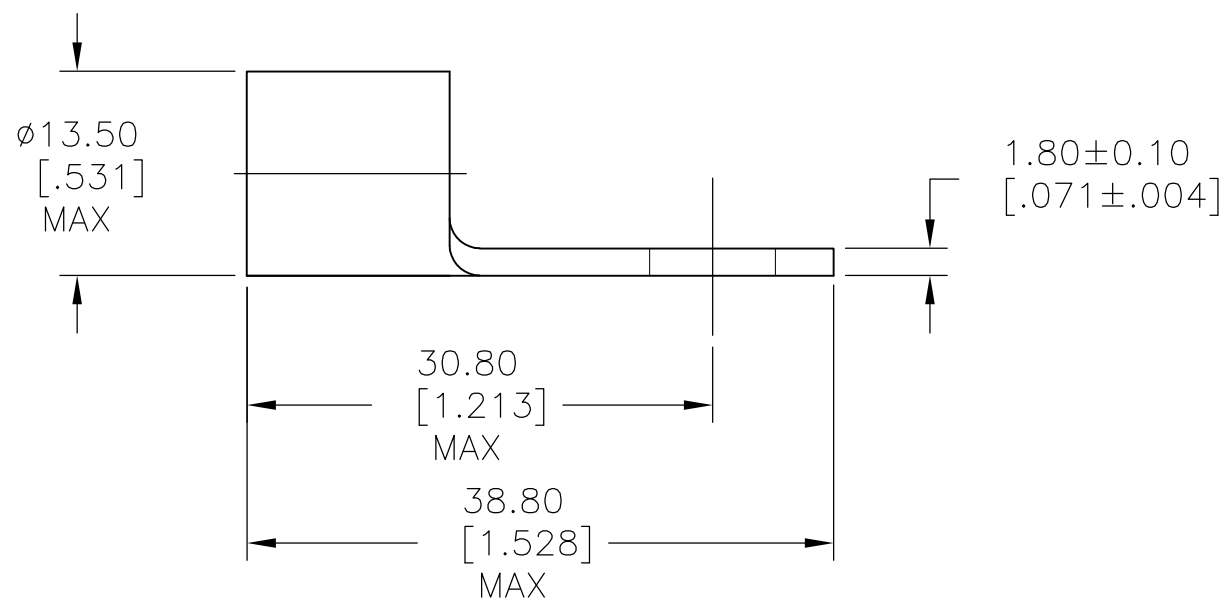
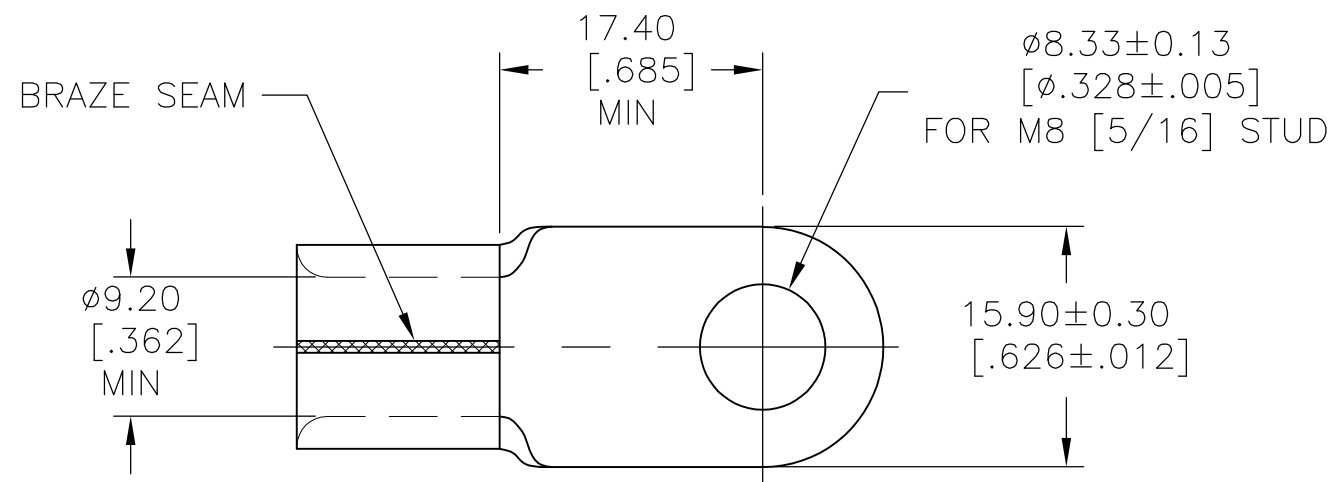


THIS DRAWING IS UNPUBLISHED. RELEASED FOR PUBLICATION
 © COPYRIGHT BY TYCO ELECTRONICS CORPORATION. ALL INTERNATIONAL RIGHTS RESERVED.

LOC	DIST	REVISIONS					
		P	LTR	DESCRIPTION	DATE	DWN	APVD
—	—		B	REDRAWN PER ECO-10-021780	28OCT10	HMR	DR

1 NICKEL 0.00762[.00030] MIN EXT. THK PER AMS QQ-N-290



150453
PART NO

AMP INCORPORATED CUSTOMER SERVICE SYSTEMS		MAX RECOMMENDED OPERATING TEMPERATURE: 343° C	THIS DRAWING IS A CONTROLLED DOCUMENT.		DWN RAGHAVENDRA 28OCT10	Tyco Electronics Corporation Harrisburg, PA 17105-3608			
FOR ADDITIONAL PRODUCT INFORMATION OR COPIES OF DRAWINGS AND TECHNICAL DOCUMENTS	PRODUCT INFORMATION CENTER 1-800-522-6752	VOLTAGE RATING: N/A	DIMENSIONS: mm [INCHES]	TOLERANCES UNLESS OTHERWISE SPECIFIED:	CHK ROHDE DANIEL 28OCT10	NAME RING TONGUE, SOLISTRAND STRATOTHERM, HR 2 AWG, 5/16			
FOR APPLICATION TOOLING INFORMATION	TOOLING ASSISTANCE CENTER 1-800-722-1111	CIRCULAR MIL AREA: 26.7-42.4 mm ² (52,600-83,700) SOLID OR STRANDED		0 PLC ± - 1 PLC ± - 2 PLC ± 0.20[.008] 3 PLC ± - 4 PLC ± - ANGLES ± 30'	APVD ROHDE DANIEL 28OCT10	PRODUCT SPEC	SIZE		
FOR ORDER ENTRY	1-800-526-5142	THIS DRAWING IS A CONTROLLED DOCUMENT FOR AMP INCORPORATED. IT IS SUBJECT TO CHANGE AND THE CONTROLLING ENGINEERING ORGANIZATION SHOULD BE CONTACTED FOR THE LATEST REVISION.	MATERIAL COPPER PER ASTM B152	FINISH 1	APPLICATION SPEC	WEIGHT -	CAGE CODE A300779	DRAWING NO C-150453	RESTRICTED TO -
CUSTOMER DRAWING					SCALE 2:1	SHEET 1 OF 1	REV B		