

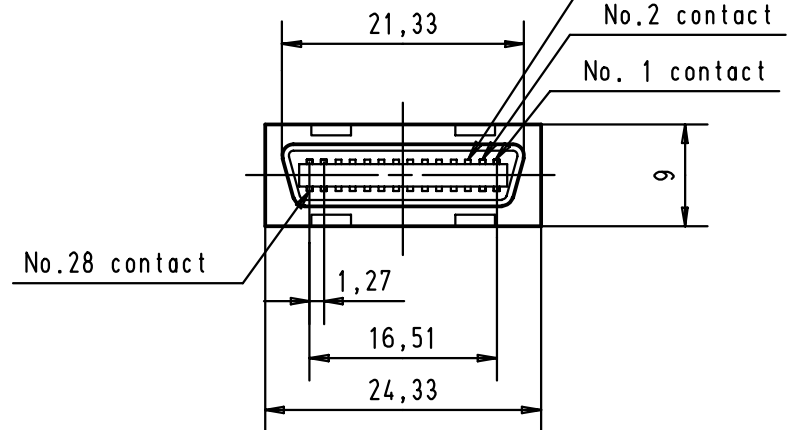
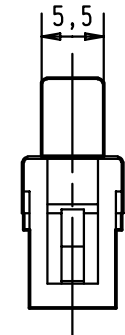
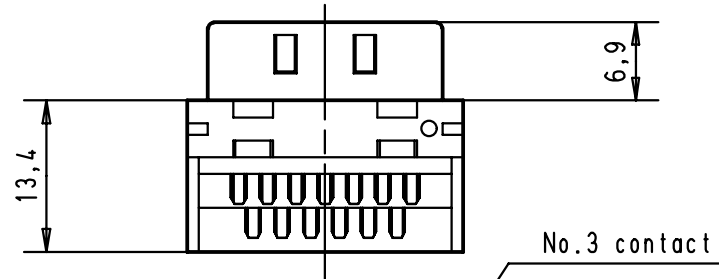
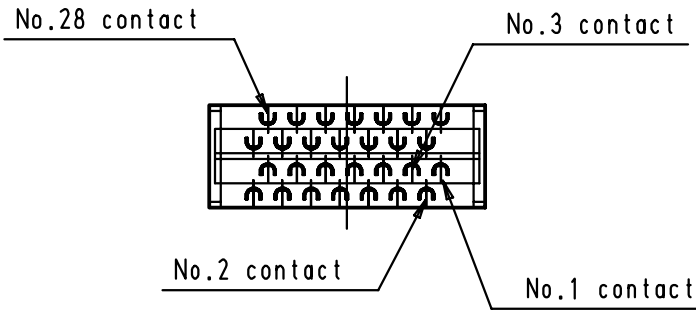
5

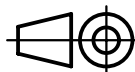

4

3

2

1



						 All Dim. in mm Orig. Size DIN A 4	har.mik <sup>®</sup> I/O pin/socket 28 poles female connector with solder cups	Maßstab/ Scale 1,5:1
			Detail.	30-AUG-00	JB			
			Insp.					
			Stand.					
27941	30-AUG-00	JB	HARTING EURL			TB 60 13 028 5180		Blatt/ Page 1 / 1
Mod.	Dat.	Name	F-95972 Paris			Sub.		

D

C

B

A