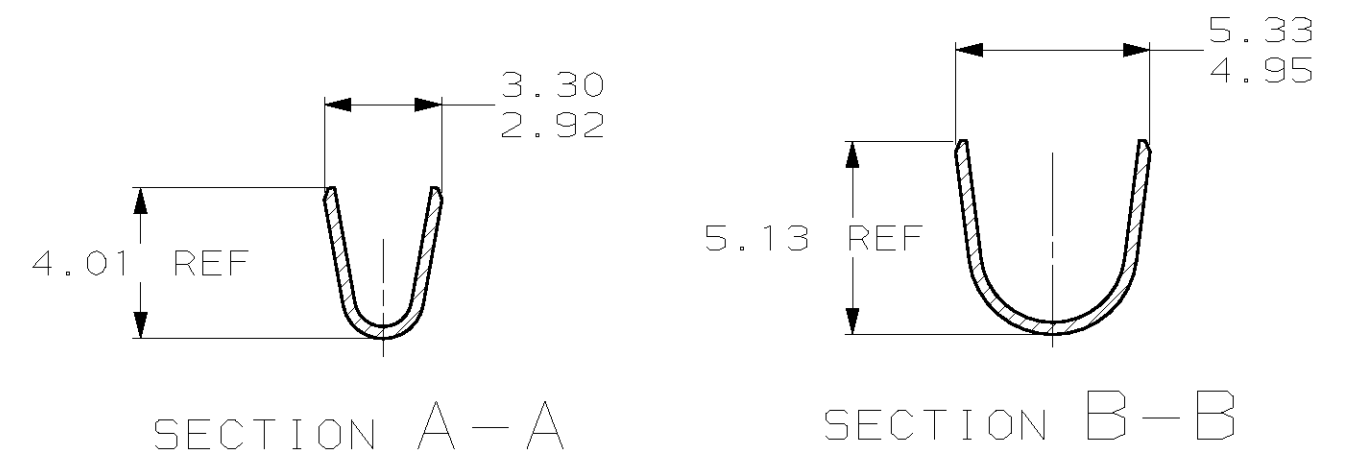
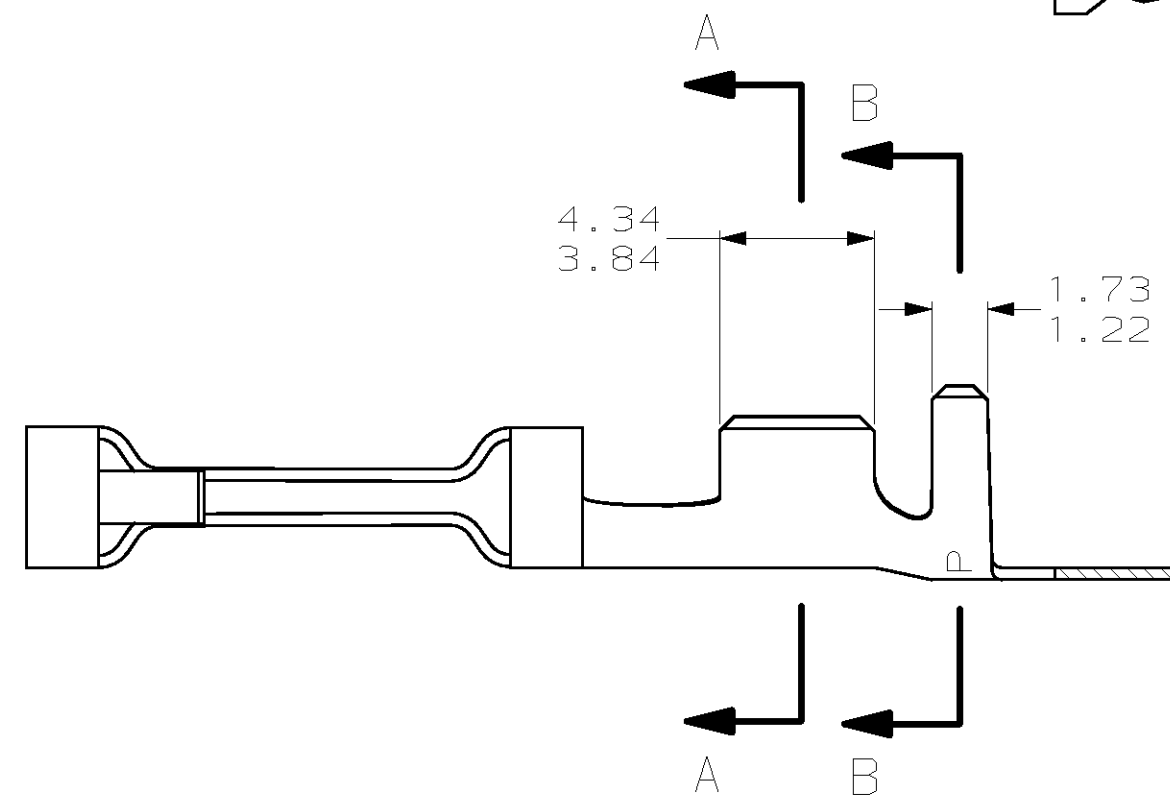
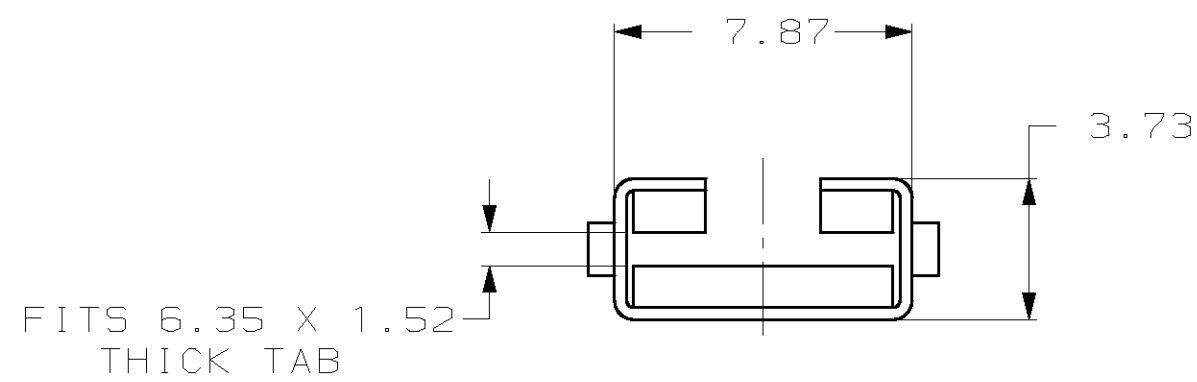
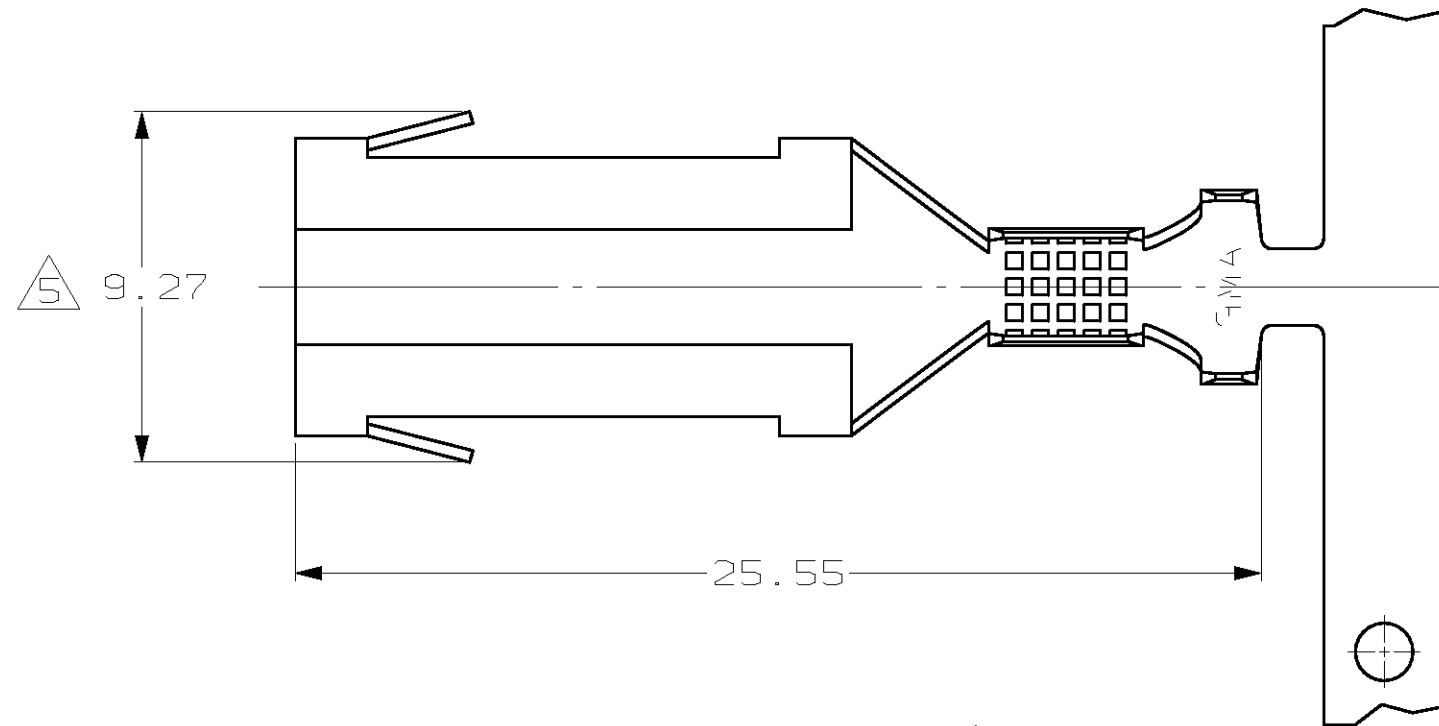


THIS DRAWING IS UNPUBLISHED. RELEASED FOR PUBLICATION
 (C) COPYRIGHT 19 BY AMP INCORPORATED. ALL RIGHTS RESERVED.

LOC		DIST		REVISIONS			
P	LTR	DESCRIPTION	DATE	DWN	APVD		
CM	52	P		REV & REDWN PER EC 0L30-0271-97	9-17-97	TB	RS

1. THIS TERMINAL TO BE USED IN HOUSING 480289.
 2. WIRE RANGE: 0.8 - 2 MM² (18 - 14 AWG)
 3. INSULATION RANGE: 3.05 - 4.32
 4. APPLICATOR FEED: 19.30±0.08
- △ 8.76 MIN AFTER INSERTION INTO HOUSING.



60517-1
PART NUMBER

1.73	.068	4.01	.158	6.35	.250	-	-
1.52	.060	3.84	.151	5.33	.210	25.55	1.006
1.22	.048	3.73	.147	5.13	.202	19.30	.760
0.320	.0126	3.30	.130	4.95	.195	9.27	.365
0.13	.005	3.05	.120	4.34	.171	8.76	.345
0.08	.003	2.92	.115	4.32	.170	7.87	.310
MM	IN	MM	IN	MM	IN	MM	IN

CONVERSION TABLE

METRIC

THIS DRAWING IS A CONTROLLED DOCUMENT.

DIMENSIONS:	TOLERANCES UNLESS OTHERWISE SPECIFIED:	DWN	9-17-97
mm		T. BECK	
		CHK	9-17-97
		R. SWING	
		APVD	12-03-97
		A. BEDDICK	
		PRODUCT SPEC	
		APPLICATION SPEC	
		WEIGHT	
MATERIAL	FINISH	SIZE	CAGE CODE
0.320 BRASS	PRE-TIN	A2	00779
		DRAWING NO	60517
		RESTRICTED TO	
		SCALE	5:1
		SHEET	1 OF 1
		REV	P

AMP Incorporated
Harrisburg, PA 17105-3608

RECEPTACLE, TAB, SPECIAL HOUSINGS AND ASSEMBLIES

CUSTOMER DRAWING

60517

B

A