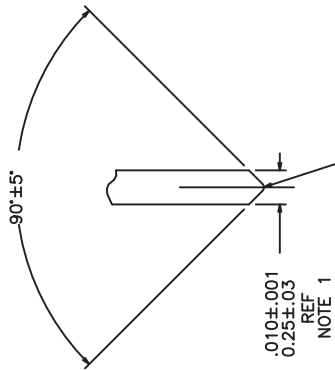
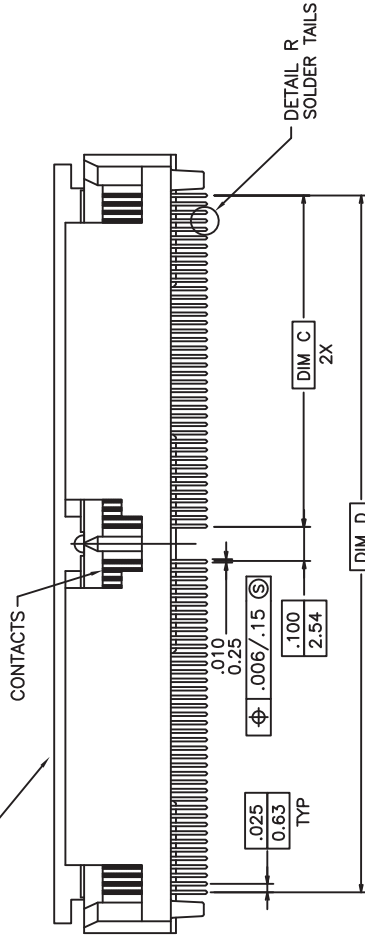
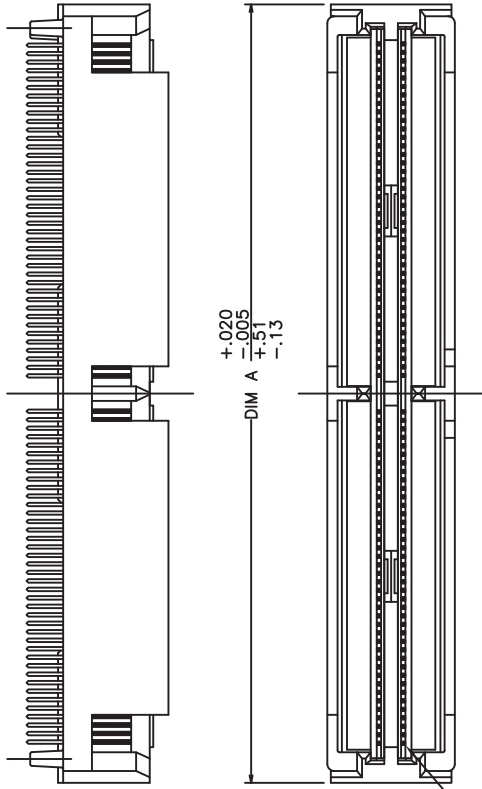
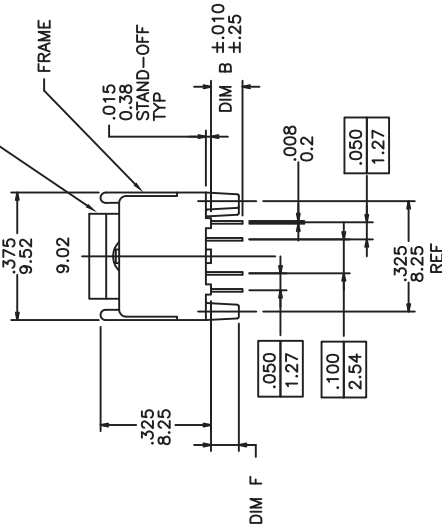


PRODUCT NO.
SEE TABLE



DETAIL R
SCALE 50/1
NOTE 5

OPTIONAL PROTECTIVE DUST COVER
OUTSIDE PROFILE SHOWN ONLY
NOTE 4



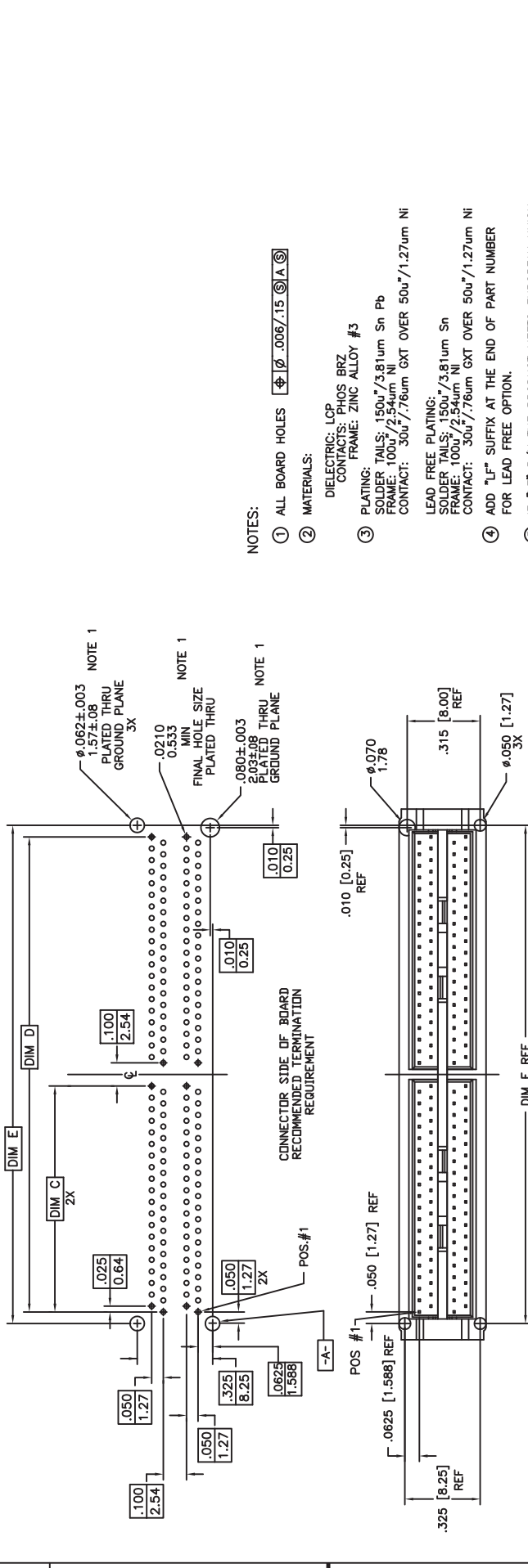
VIEW K (SHEET 2)

| mat'l. code | | surface | tolerance | projection | product family |
|-------------|-----------|--------------|---------------------------------------|------------|--------------------------|
| itr | ecn no/dr | date | ISO 1302 | ISO 406 | MICROPAX |
| K | V31907 | MRC 11/4/93 | ISO 1101 | INCH/MM | MICROPAX .025M VERT. |
| L | V32226 | MRC 12/22/93 | tolerances unless otherwise specified | linear | PLUG DOUBLE MODULE |
| M | V71417 | MAP 10/6/97 | .XX±.01/.3 | scale 1:1 | sheet 1 of 2 size |
| N | V12555 | CRG 11/8/01 | .XXX±.005/.13 | FCI | 89649 |
| P | V20402 | MEM 3/12/02 | .XXX±.0020/.051 | | Product Customer Drawing |
| R | M06-0222 | AGS 6/9/06 | L.POTTEIGER 4/16/91 | | |
| | | | T.LEMKE 4/16/91 | | |
| | | | T.LEMKE 4/16/91 | | |
| sheet | revision | R | | | |
| index | sheet | 1 | 2 | | |

1 2 3 4 5 6

| PRODUCT NO | NO. OF CONTACTS | DIM A | DIM B | DIM C | DIM D | DIM E | DIM F | BOARD THICKNESS | DUST CAP |
|------------|-----------------|-------------|-----------|------------|-------------|-------------|-----------|-----------------|----------|
| 89649-001 | 160 | 2.290/58.17 | .092/2.34 | .975/24.76 | 2.050/52.07 | 2.150/54.61 | .082/2.08 | .062/1.58 | NO |
| 89649-002 | | | .155/3.94 | | | | .144/3.66 | .125/3.18 | |

NOTE 3



BOTTOM VIEW K

NOTES:

- ALL BOARD HOLES ϕ .006/.15 $\text{\textcircled{A}}$ $\text{\textcircled{S}}$
- MATERIALS:
DIELECTRIC: LCP
CONTACTS: PHOS BRZ
CONTRACTS: ZINC ALLOY #3
- PLATING:
SOLDER TAILS: 150u"/3.81um Sn Pb
FRAME: 100u"/2.54um Ni
CONTACT: 30u"/76um GXT OVER 50u"/1.27um Ni
LEAD FREE PLATING:
SOLDER TAILS: 150u"/3.81um Sn
FRAME: 100u"/2.54um Ni
CONTACT: 30u"/76um GXT OVER 50u"/1.27um Ni
- ADD "LF" SUFFIX AT THE END OF PART NUMBER FOR LEAD FREE OPTION.
- IF "LF" P/N THE PRODUCT MEETS EUROPEAN UNION DIRECTIVES AND OTHER COUNTRY REGULATION AS DIRECTIVES AND OTHER COUNTRY REGULATION AS
- DO NOT REMOVE OPTIONAL PROCESSING CAP UNTIL SOLDERING IS COMPLETED.
- .002/.05 MAX BURR PERMITTED.

| mat'l. code | | surface | tolerance | projection | product family |
|-------------|----------|---------------------------------------|---------------------|------------|--------------------------|
| ISO 1302 | ISO 406 | ISO 1101 | | ϕ | MICROPAX |
| R | | tolerances unless otherwise specified | | | title |
| ecn no | dr | angles | linear | INCH/MM | MICROPAX .025M VERT. |
| | | 0°-32° | .XX±.01/.3 | scale 1:1 | PLUG DOUBLE MODULE |
| | | | .XXX±.005/.13 | | sheet2 of 2 size |
| | | | .XXX±.0020/.051 | | 89649 |
| | | dr | L.POTTEIGER 4/16/91 | | Product Customer Drawing |
| | | engr | T.LEMKE 4/16/91 | | |
| | | chr | T.LEMKE 4/16/91 | | |
| | | appd | T.LEMKE 4/16/91 | | |
| sheet | revision | | | | |
| index | sheet | | | | |