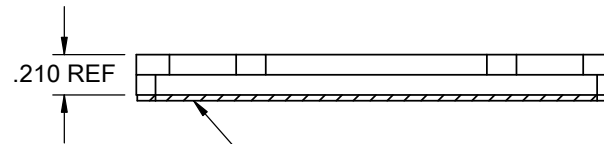
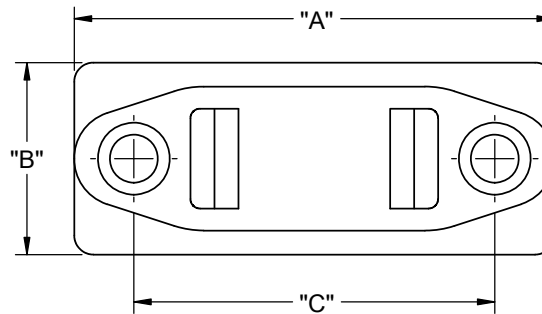
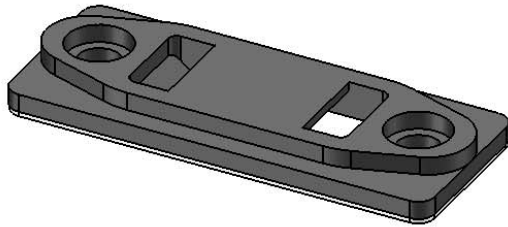


PART NO.	MOUNTING METHOD	ACCEPTS HOOK AND LOOP UP TO WIDTH	"A"	"B"	"C"
FTH-RKW-1	1/4 SCREW	.50 [12.7]	2.50 [63.5]	1.00 [25.4]	1.88 [47.8]
FTH-RKW-1A	ADHESIVE				
FTH-RKW-2	1/4 SCREW	1.00 [25.4]	3.25 [82.6]	1.50 [38.1]	2.62 [66.5]
FTH-RKW-2A	ADHESIVE				



.03 PSA ADHESIVE  
DOUBLE COATED  
URETHANE FOAM TAPE

NOTES:  
1. MATERIAL: POLYETHYLENE  
2. COLOR: BLACK

TITLE: TIE HOLDER FOR HOOK AND LOOP CABLE TIES				UNITS: IN [mm]		FINAL	
CREATED USING SOLIDWORKS	FILE #: FTH-RKW	DWN: DZ	APP: DZ				
TOLERANCES UNLESS NOTED .XX=±.010 .XXX=±.005 FRAC.=±1/64 ANG.=±1°	SHEET: 1 OF 1	SHEET SIZE: A	DT: 04/16/2013	CHKD: -	PART #		PRINT TYPE
RE: RICHCO, INC.	RICHCO, INC. WWW.RICHCO-INC.COM		SEE TABLE		CA		

A	RELEASED FOR PRODUCTION	DZ 04.16.2013
REV.	DESCRIPTION	ENGR. DATE