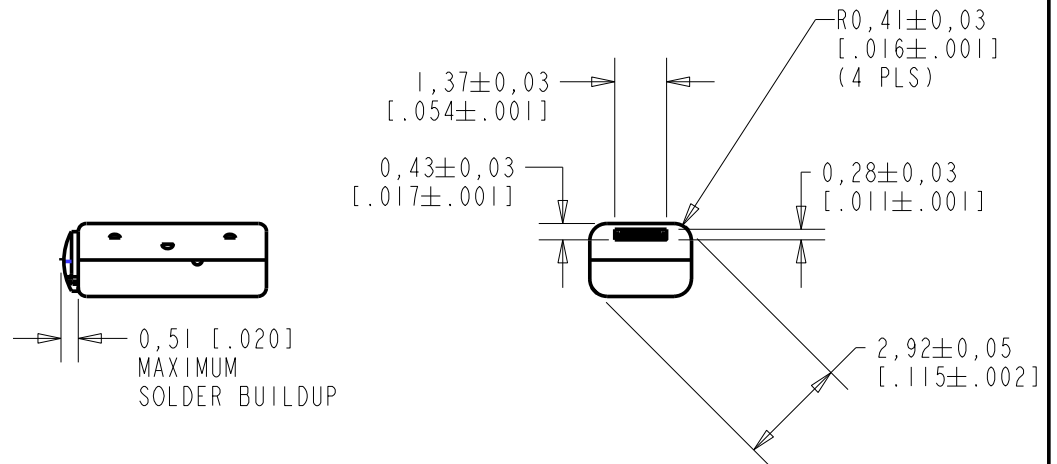
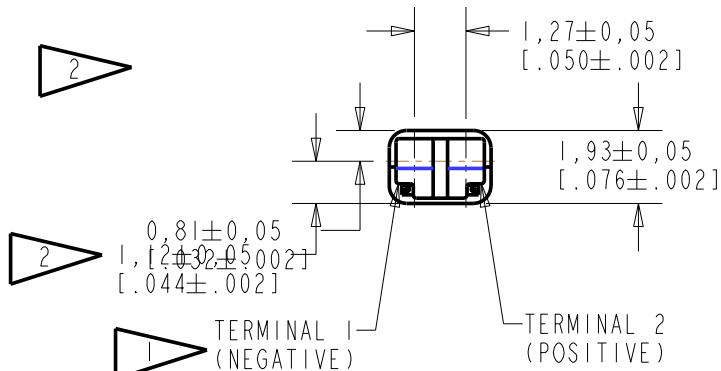
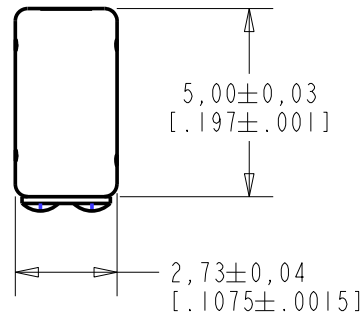


FK-26777-000

SHT 1.1

NOTES:

- 1 A POSITIVE GOING VOLTAGE AT TERMINAL 2, RELATIVE TO TERMINAL 1, CAUSES A DECREASE IN PRESSURE AT THE SOUND OUTLET.
- 2 LOCATED FROM TWO SURFACES FOR CUSTOMER CONVENIENCE. ONLY APPLICABLE FROM ONE SURFACE, NOT TO BE USED TOGETHER.



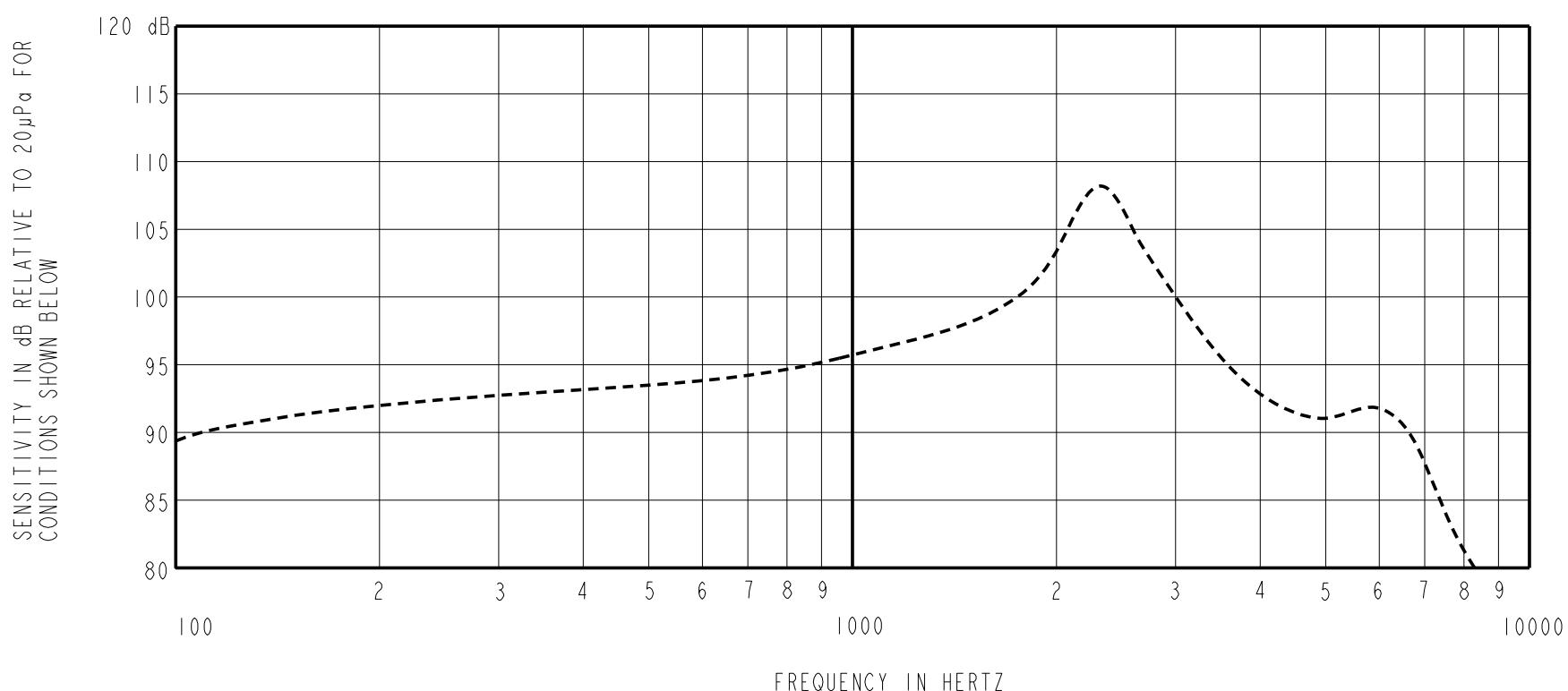
SCALE 2:1

DIMENSIONS IN MILLIMETERS [INCHES]

Revision	C.O. #	Implementation Date	RELEASE LEVEL	REVISION
			Active	D
D	C10108259P	12-29-08		

SCALE: 5:1	DR. BY: MMM	DATE: 9-6-05
DO NOT SCALE DRAWING	CK. BY: GJP	DATE: 9-12-05
TITLE: RECEIVER	APP. BY: GJP	DATE: 9-12-05
OUTLINE DRAWING	FK-26777-000	
	SHT 1.1	

KNOWLES ELECTRONICS
ITASCA, ILLINOIS U.S.A.



NOTES:

1. MEASUREMENTS MADE USING 10mm (.394") OF 1mm (.039") ID TUBE CONNECTED TO A SIMULATED ANSI S3.3-1960 TYPE HA-3 COUPLER. (T3420 AND B&K DB0138)

2. SENSITIVITY

FREQUENCY	MIN.	MAX.
200	90.0	96.0
500	91.5	97.5
1000	93.0	99.0
2200-2800	105.5	111.5
4500-5300	88.0	---
5800-6600	90.0	96.0

- 3. RESPONSE, IMPEDANCE, AND DISTORTION MEASUREMENTS MADE USING THE ELECTRICAL TEST CONDITIONS SHOWN BELOW.
- 4. ELECTRICAL SOURCE IMPEDANCE MUST BE GREATER THAN 20 TIMES 1kHz IMPEDANCE FOR TEST CONDITIONS SHOWN BELOW.
- 5. INDIVIDUAL SPECIFICATIONS.

PORT LOCATION	IMPEDANCE OHMS ±15%		DCR @20°C OHMS ±10%	DISTORTION		ELECTRICAL TEST CONDITIONS	
	1KHz	500Hz		MAX. %	FREQ Hz	AC mA RMS	DC mA
12N	237	176	135	5	800	0.84	0.00

Revision	C.O. #	Implementation Date	RELEASE LEVEL	REVISION
D	C10108259P	12-29-08	Active	D

KNOWLES ELECTRONICS
ITASCA, ILLINOIS U.S.A.

WHEN TEST LIMITS ARE USED TO ESTABLISH INCOMING INSPECTION ACCEPTANCE/REJECTION CRITERIA, CORRELATION OF TEST EQUIPMENT WITH KNOWLES IS ALSO REQUIRED FOR ELIMINATION OF EQUIPMENT AND TEST METHOD VARIATION

TITLE: **RECEIVER** **FK-26777-000**
PERFORMANCE SPECIFICATION **SHT 2.1**

DR. BY	DATE
MMM	9-6-05
CK. BY	DATE
GJP	9-12-05
APP. BY	DATE
GJP	9-12-05