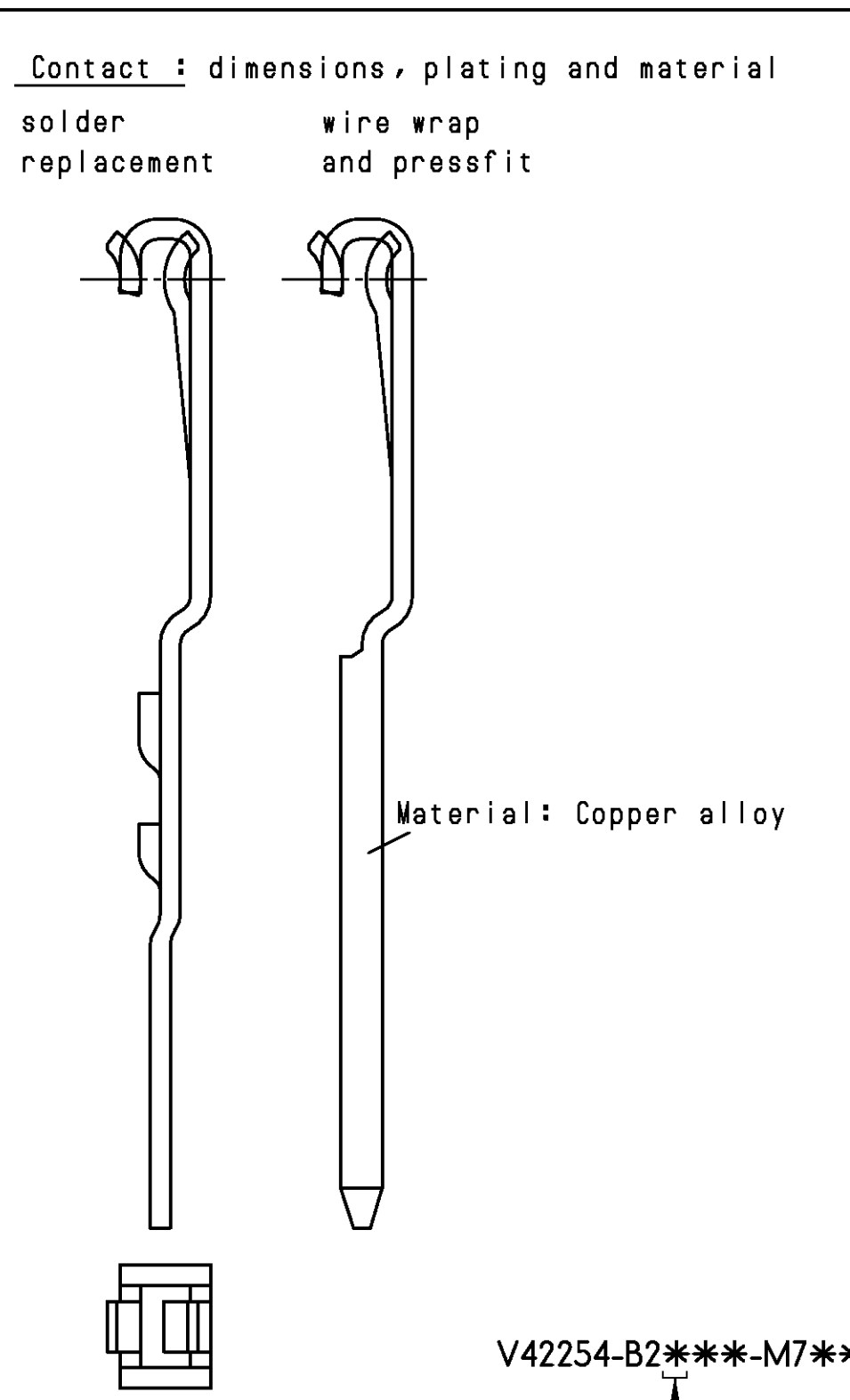
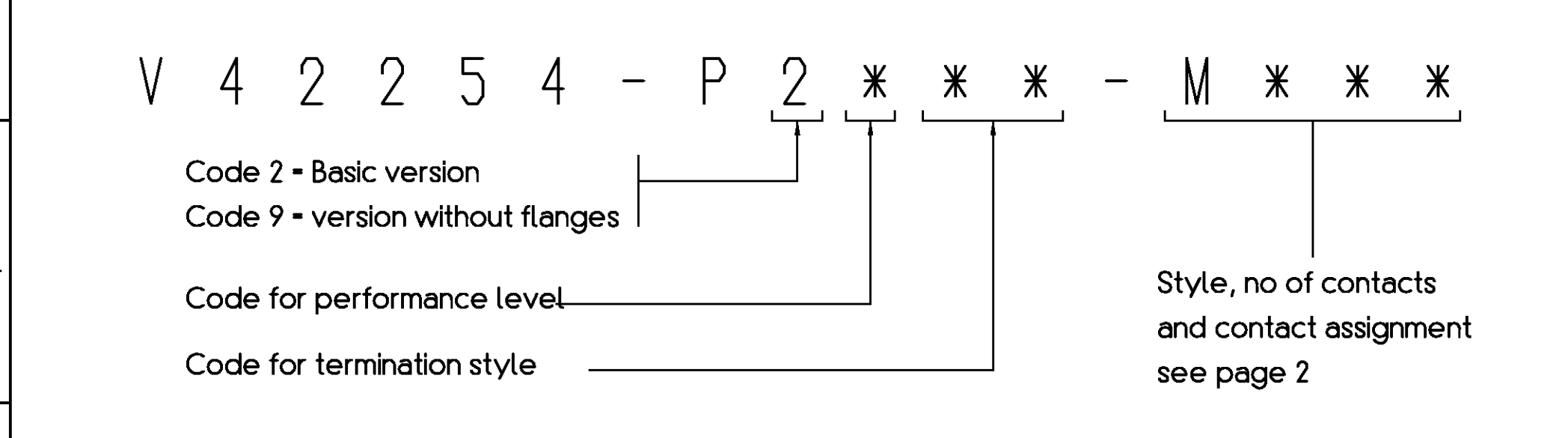
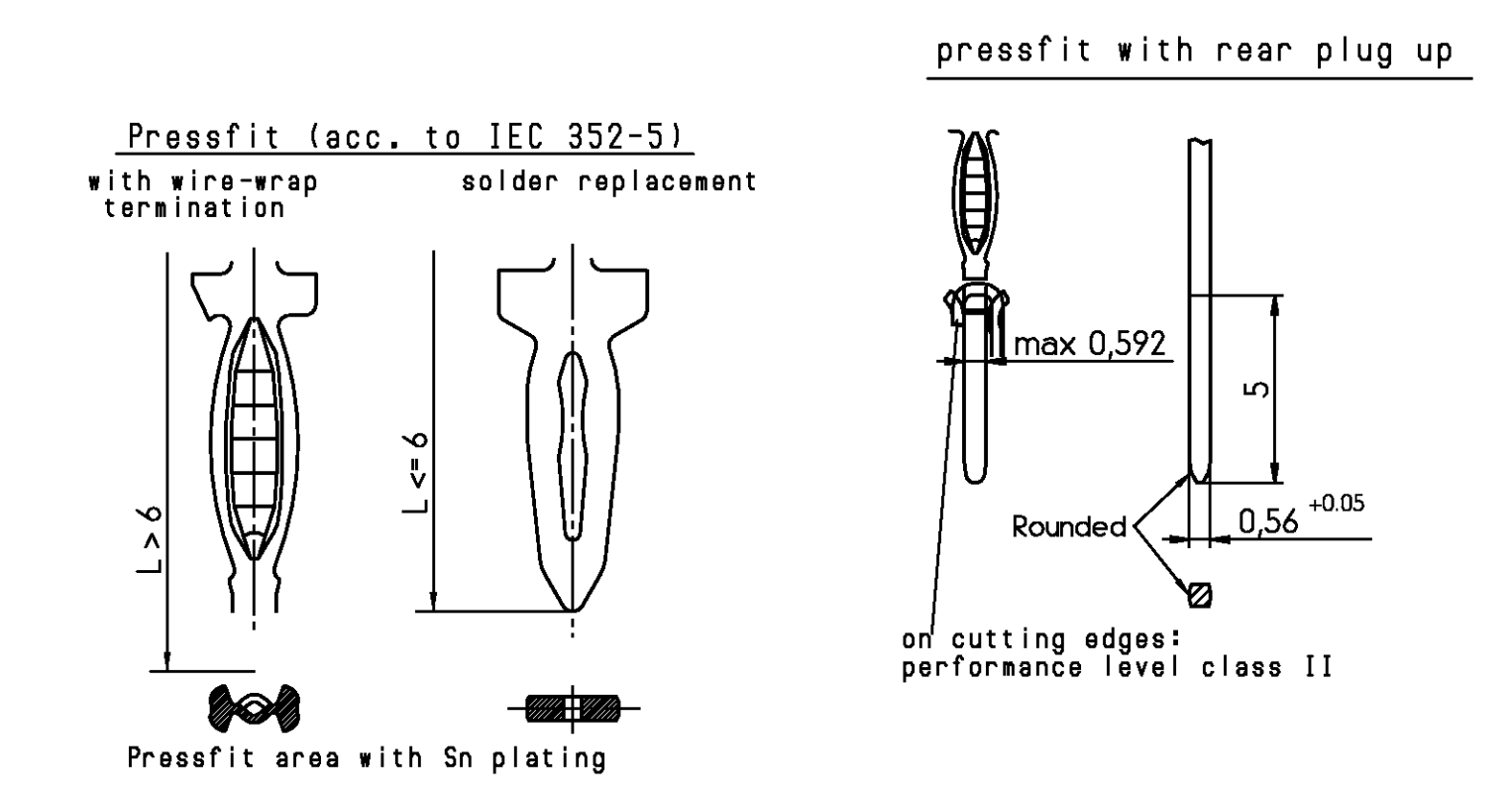


Type	m	n	a	b	c	d	e	f	Termination
M+2SK	25	31	63.5	90	73.66	5.63	78.74	0.94 ±0.15	press fit
M/2+2SK	9	15	22.86	50	33.02	5.95	38.1		
M/3+2SK	3	9	7.62	34.76	17.78	5.95	22.86		



**Termination Styles**



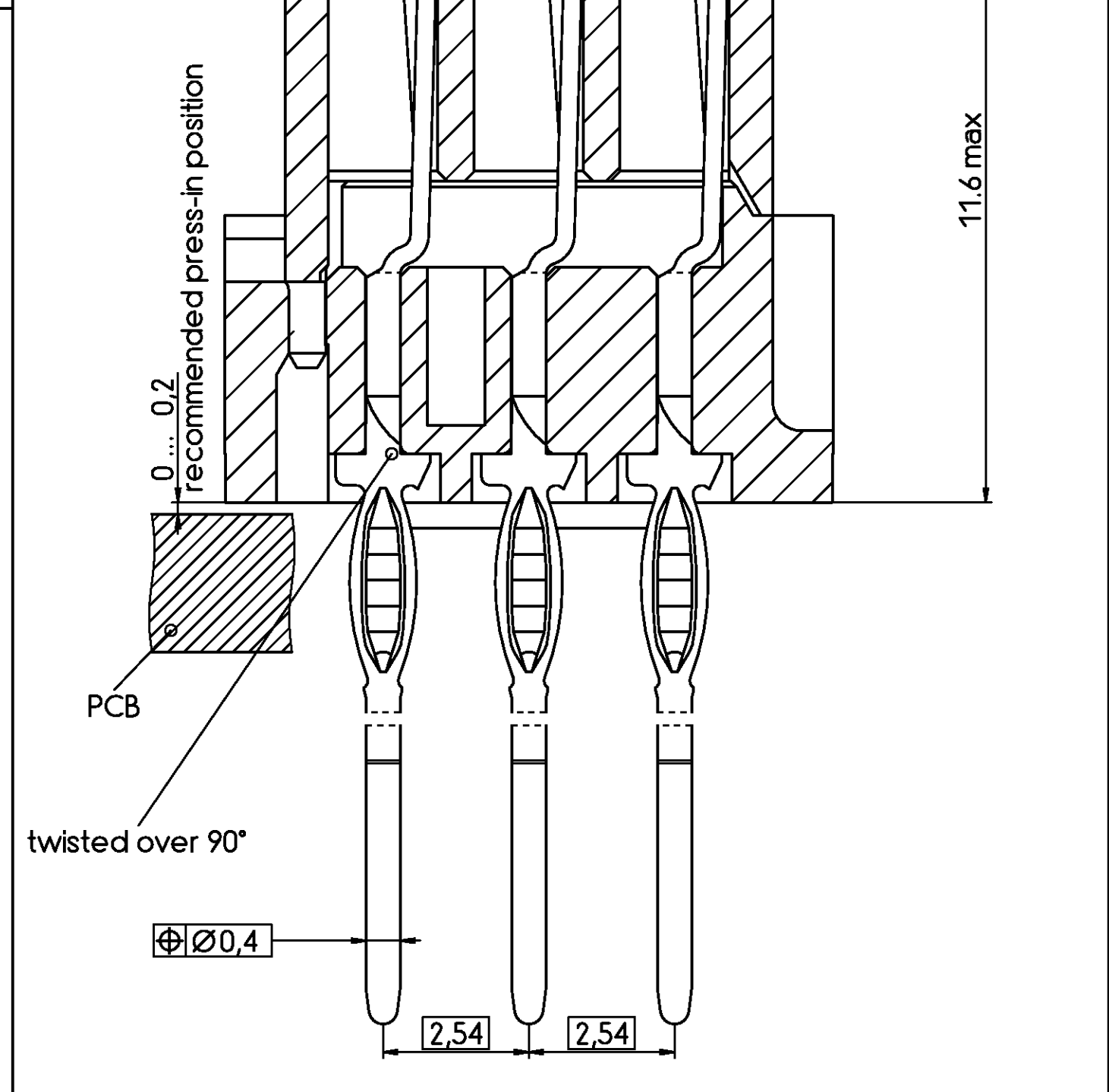
Code 2 - Basic version  
 Code 9 - version without flanges  
 Code for performance level  
 Code for termination style

Style, no of contacts and contact assignment see page 2

Performance level acc to DIN41612 and IEC 603-2	Noble metals	Code
Class I	PdNi + Au or Au	1
	Au	4
Class II	PdNi + Au or Au	2
	Au	5
Class III	PdNi + Au or Au	3

Nickel underlayer  
 Protection film : HF-grease

		L	Code
	Pressfit	3.7 ±0.3	63
		6.0 ±0.3	70
	Pressfit-w.w. insertion area wire-wrap	13 ±0.5	60
		17 ±0.5	67
		20 ±0.5	68



All female connectors can be pressed-in with a flat stamp (over the connector housing)

TE Connectivity				SCALE		WEIGHT	
DIMENSIONS IN MM				MATERIAL		PART NAME	
A2	ECR-10-004503	13SEP11	MKO	DATE	27.09.99	Receptacle Assembly Eurocard	
A1	SR10-0177-03	05 AUG 03	KV	NAME	Cuvetier	Press fit Type M + 2 Special contacts and short versions	
A	WO 00/7012	20.07.00	VS	DEP.	PD CCM	PART NO.	
D1		27.09.99	CUV	APP.		V42254-P2***-M7***-7626	
REV.	CHANGE ORDER	DATE	APP.	Customer Drawing Nr. C 6-1593637-D			

