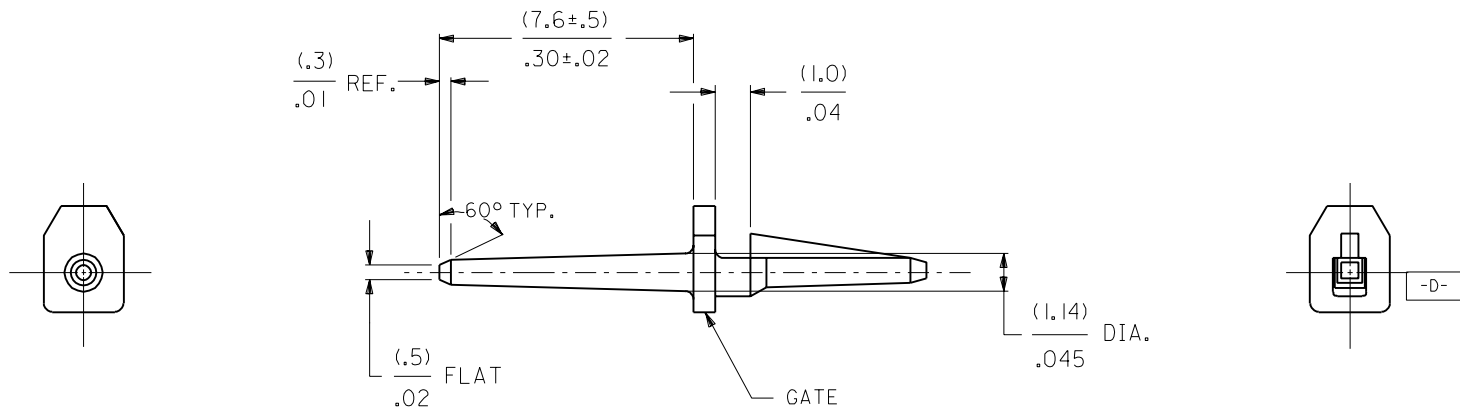


NOTES:

1. RECOMMENDED P.C. BOARD HOLE DIA. (1.50)±.059 MIN.



4161-2
15-04-92 10

| | | | |
|------|------------------|------|------------------|
| --- | SEE SHEET 1..... | --- | SEE SHEET 1..... |
| --- | SEE SHEET 1..... | --- | SEE SHEET 1..... |
| --- | SEE SHEET 1..... | --- | SEE SHEET 1..... |
| --- | SEE SHEET 1..... | --- | SEE SHEET 1..... |
| --- | SEE SHEET 1..... | --- | SEE SHEET 1..... |
| --- | SEE SHEET 1..... | --- | SEE SHEET 1..... |
| LTR. | REVISIONS | LTR. | REVISIONS |

| | |
|---|-------------------|
| DIMENSIONS SHOWN (METRIC) INCH | |
| UNLESS OTHERWISE SPECIFIED TOLERANCES: ANGULAR ± 1/2° | |
| | INCH METRIC |
| 3 PLACE | ± .010 --- |
| 2 PLACE | ± .014 ± .25 |
| 1 PLACE | --- ± .36 |
| DRAFT WHERE APPLICABLE MUST REMAIN WITHIN DIMENSIONS | |
| DRWG. BY | GUZIK |
| CHK'D. BY | PATEL |
| APP'D. BY | LENZ |
| SCALE | : |

| | | |
|---------------------|---|---------------------------|
| ▽ = | ▼ = | REVISE ONLY ON CAD SYSTEM |
| TITLE | | |
| (POLARIZING PEG) | | |
| FOR KK (2:54) / 100 | | |
| MOLEX | MOLEX INCORPORATED | SHEET NO. DATE |
| LISLE, ILL. | 60532 U.S.A. | 2 10/16/87 |
| PART NO. | DRWG. NO. | |
| | SD-4161 | |
| FILE NAME | THIS DRAWING CONTAINS INFORMATION THAT IS PROPRIETARY TO MOLEX INC. AND SHOULD NOT BE USED WITHOUT WRITTEN PERMISSION | |
| S4161X2 | DIV. KK | SIZE B |