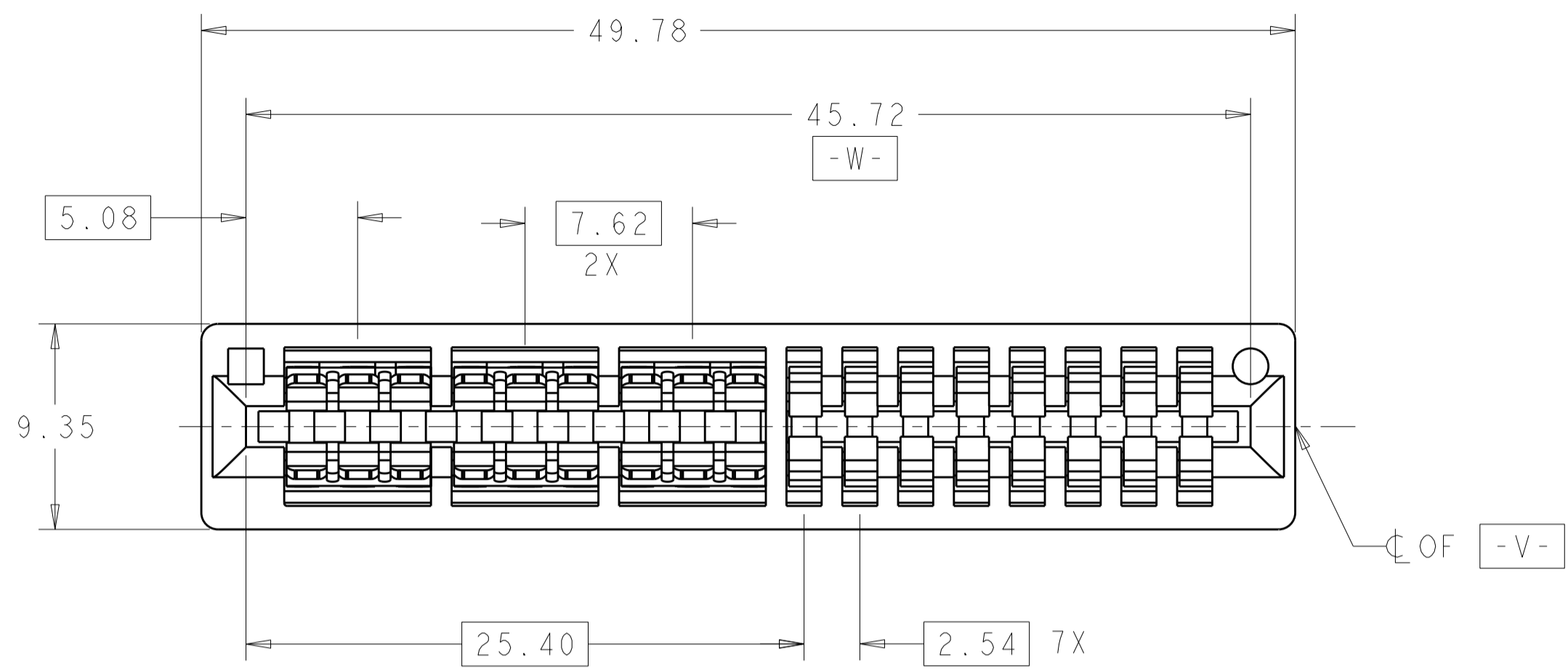
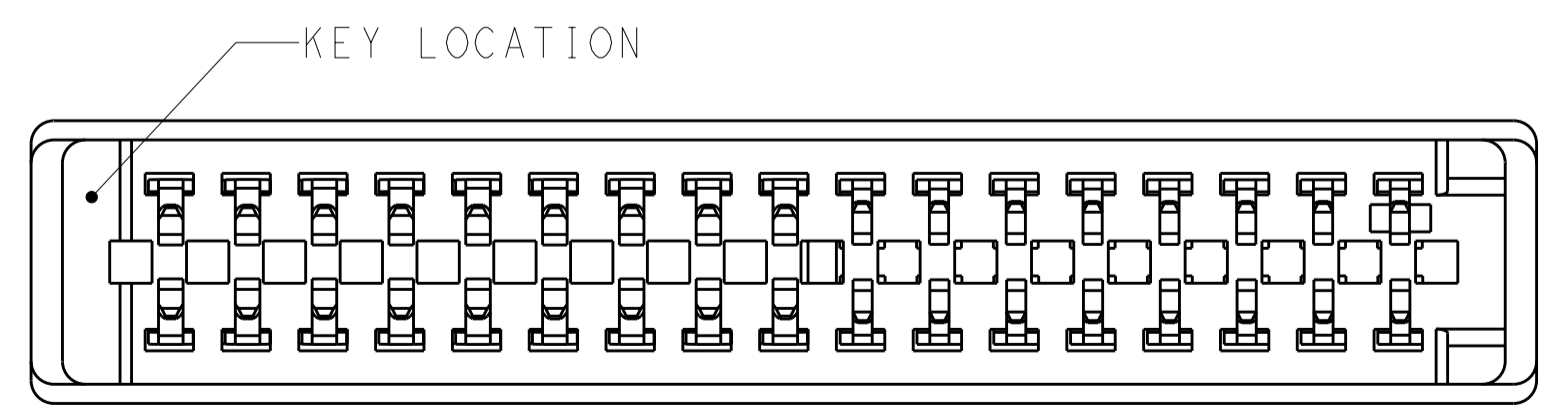
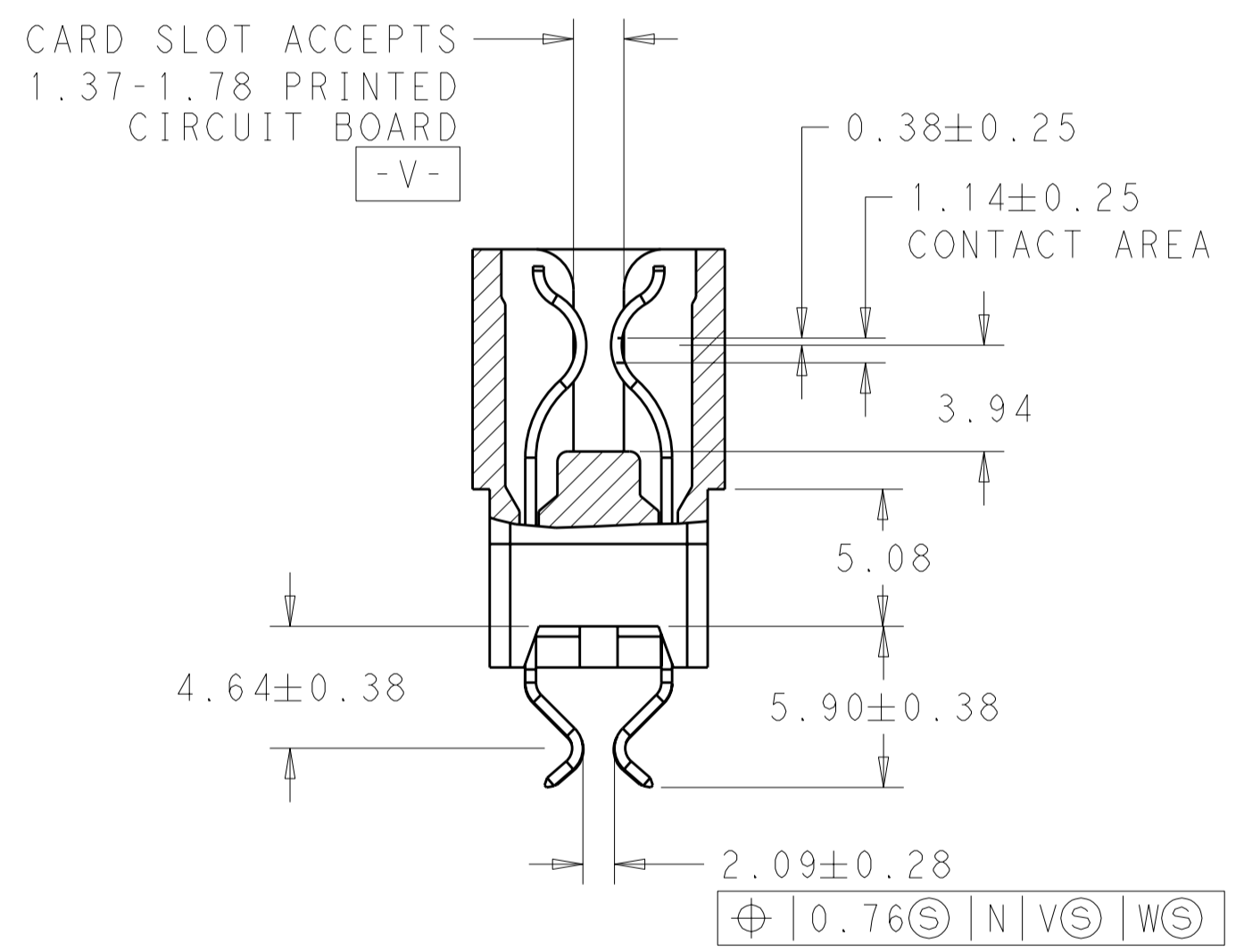
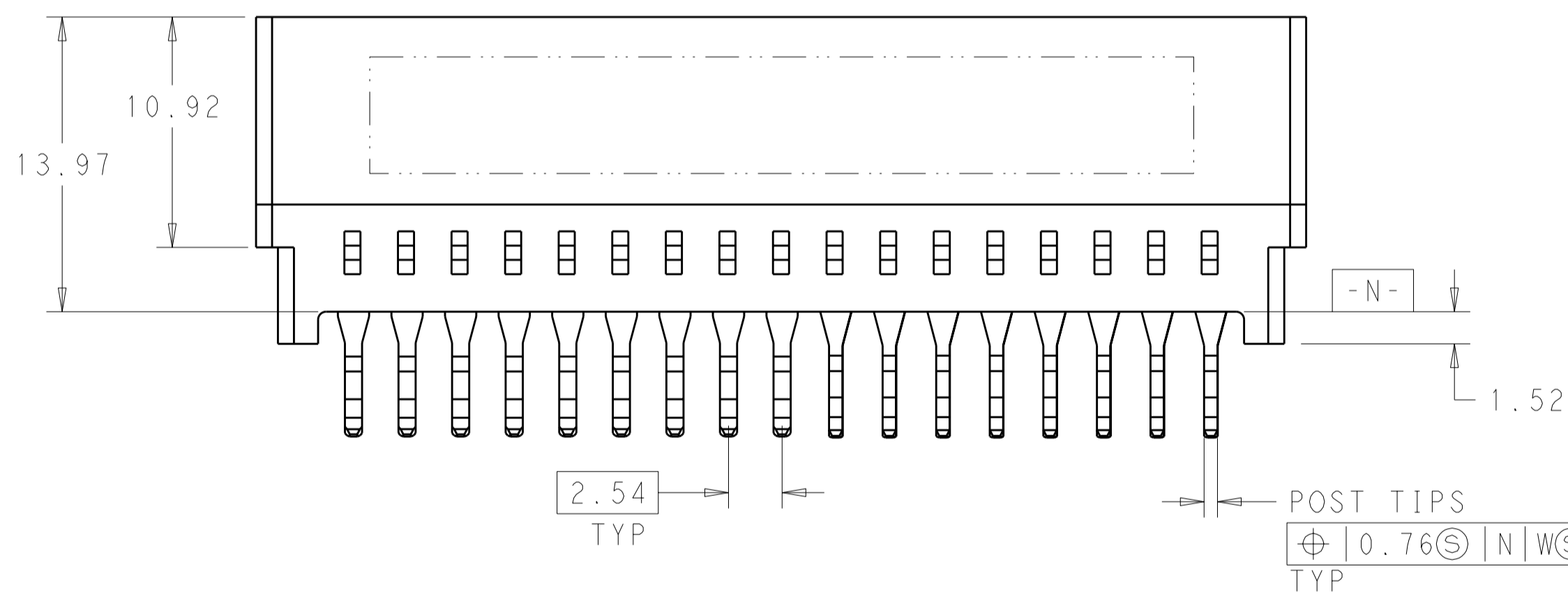


THIS DRAWING IS UNPUBLISHED. RELEASED FOR PUBLICATION 20  
 © COPYRIGHT 20 BY TYCO ELECTRONICS CORPORATION. ALL INTERNATIONAL RIGHTS RESERVED.

LOC	DIST	REVISIONS					
GP	00	P	LTR	DESCRIPTION	DATE	DWN	APVD
		A		RELEASED	19MAY2010	RG	MS
		B		REV PER ECO-10-026305	21FEB2011	RG	MS



- HOUSING MATERIAL: GLASS FILLED POLYESTER, COLOR, BLACK
  - CONTACT BASE MATERIAL: HIGH CONDUCTIVITY COPPER ALLOY
  - CONTACT FINISH: NICKEL PLATE, 1.27µm MIN. ALL OVER.  
 MATTE TIN PLATE, 2.54µm MIN ON SOLDER POSTS.  
 GOLD PLATE, 0.76µm MIN IN MATING INTERFACE.
- 4 TYCO ELECTRONICS P/N AND DATE CODE MARKED IN APPROX AREA SHOWN.
- 5 SEE TYCO ELECTRONICS APPLICATION SPEC 114-13018 FOR ADDITIONAL PCB DETAILS.

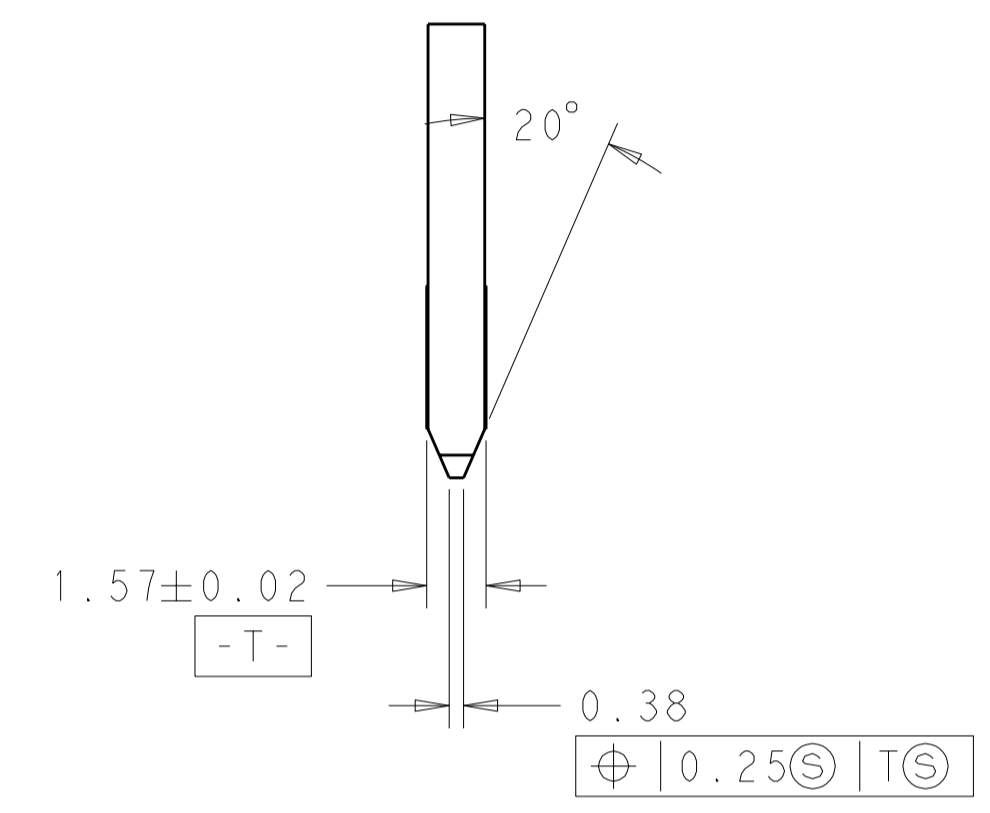
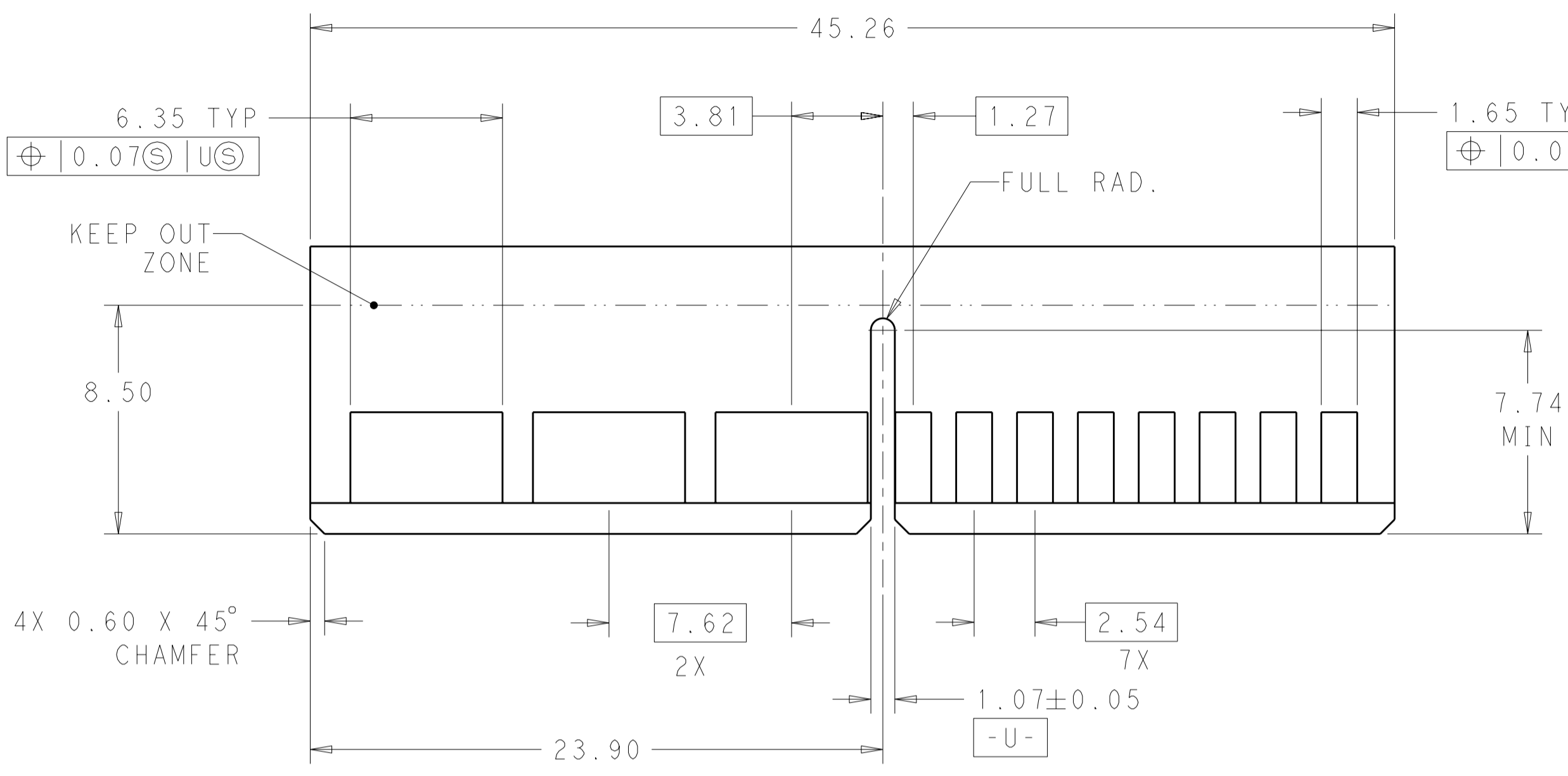


AS SHOWN	2132114-1
DESCRIPTION	PART NUMBER

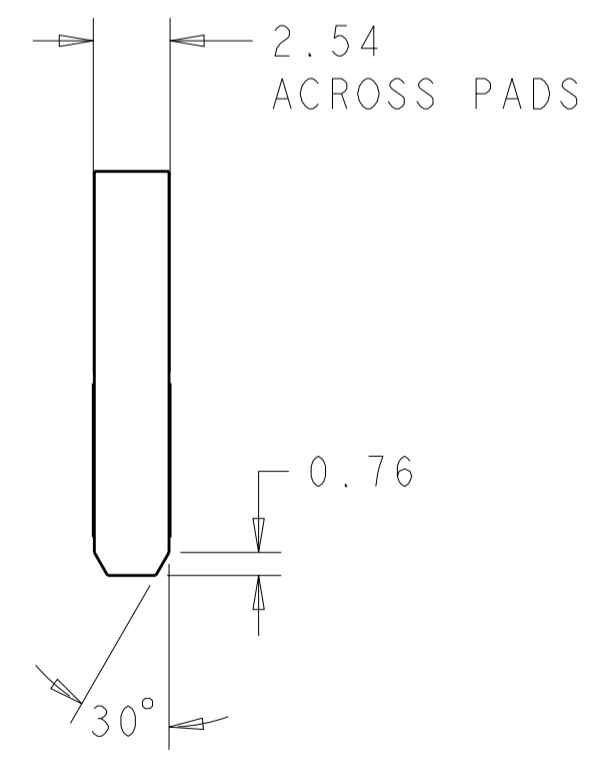
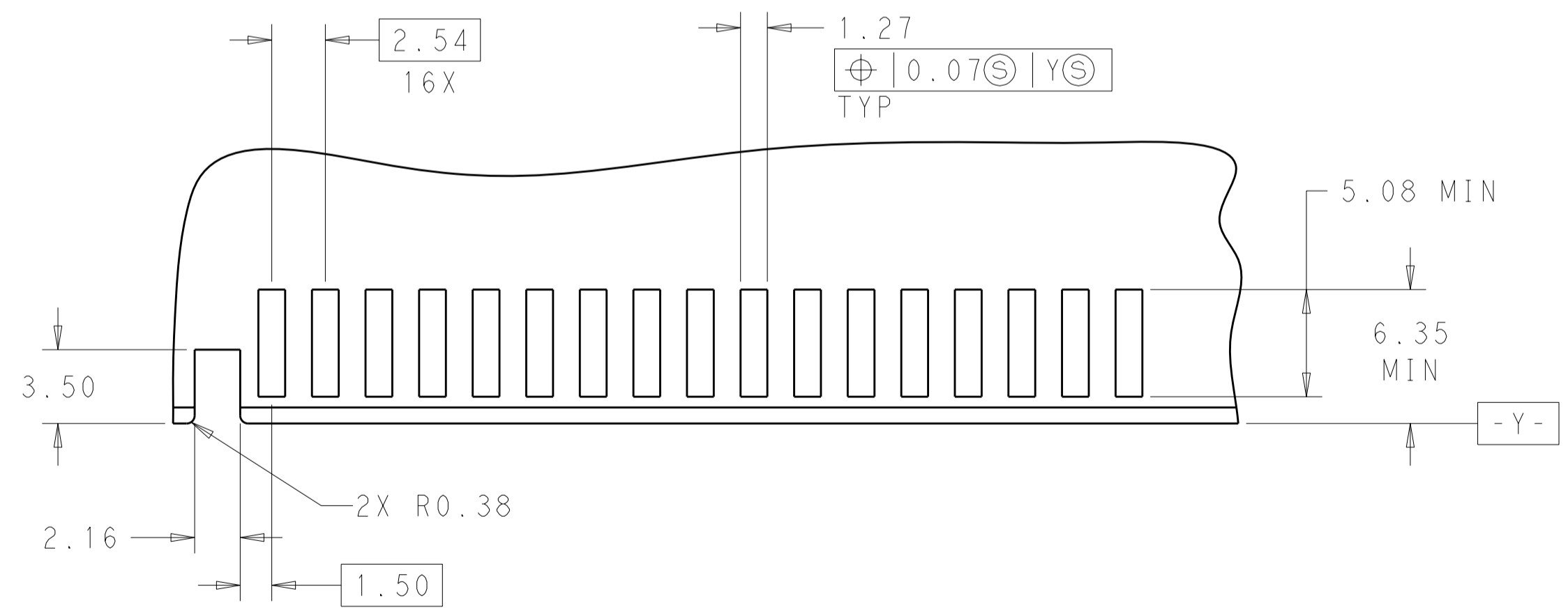
THIS DRAWING IS A CONTROLLED DOCUMENT FOR TYCO ELECTRONICS CORPORATION. IT IS SUBJECT TO CHANGE AND THE CONTROLLING ENGINEERING ORGANIZATION SHOULD BE CONTACTED FOR THE LATEST REVISION.		DWN R. GRZYBOWSKI 18NOV2009	Tyco Electronics Harrisburg, PA 17105-3608	
DIMENSIONS: mm		CHK E. HOWARD 18NOV2009	NAME SURFACE MOUNT FOR CARD EDGE	
TOLERANCES UNLESS OTHERWISE SPECIFIED:		APVD M. PERCHERKE 18NOV2009	SEC II POWER CONNECTOR, 3POW X 8SIG	
0 PLC ±	±0.5	PRODUCT SPEC 108-2202	CARD EDGE, S/M STYLE, 2.54 MB	
1 PLC ±	±0.25	APPLICATION SPEC 114-13018	SIZE A2	CAGE CODE 00779
2 PLC ±	±0.13	WEIGHT -	DRAWING NO C-2132114	RESTRICTED TO -
3 PLC ±	±	CUSTOMER DRAWING	SCALE 4:1	SHEET 1 OF 2
4 PLC ±	±			REV B

THIS DRAWING IS UNPUBLISHED. RELEASED FOR PUBLICATION 20  
 © COPYRIGHT 20 BY TYCO ELECTRONICS CORPORATION. ALL INTERNATIONAL RIGHTS RESERVED.

LOC	DIST	REVISIONS			
P	LTR	DESCRIPTION	DATE	DWN	APVD
GP	00	-	SEE SHEET 1	-	-



RECOMMENDED MATING BOARD EDGE CONFIGURATION  
 TYPICAL BOTH SIDES



RECOMMENDED PCB LAYOUT FOR CONNECTOR MOUNTING  
 TYPICAL BOTH SIDES

THIS DRAWING IS A CONTROLLED DOCUMENT FOR TYCO ELECTRONICS CORPORATION. IT IS SUBJECT TO CHANGE AND THE CONTROLLING ENGINEERING ORGANIZATION SHOULD BE CONTACTED FOR THE LATEST REVISION.		DWN R. GRZYBOWSKI 18NOV2009	Tyco Electronics Harrisburg, PA 17105-3608	
DIMENSIONS: mm		CHK E. HOWARD 18NOV2009	NAME SURFACE MOUNT FOR CARD EDGE SEC II POWER CONNECTOR, 3POW X 8SIG CARD EDGE, S/M STYLE, 2.54 MB	
TOLERANCES UNLESS OTHERWISE SPECIFIED: 0 PLC ± 1 PLC ±0.5 2 PLC ±0.25 3 PLC ±0.13 4 PLC ± ANGLES ± FINISH ±		APVD M. PERCHERKE 18NOV2009	SIZE A200779	
MATERIAL		PRODUCT SPEC 108-2202	DRAWING NO C-2132114	
		APPLICATION SPEC 114-13018	RESTRICTED TO -	
		WEIGHT -	SCALE 4:1 SHEET 2 OF 2 REV B	
		CUSTOMER DRAWING		