

AMPHENOL PART NUMBER CONFIGURATION  
 UE86-3G2620-X0X61

LIGHT PIPE OPTION

- 0 - NO LIGHT PIPE
- 1 - 4 LP PER 2X1, NORMAL ORIENTATION
- 2 - 2 INNER LP PER 2X1, NORMAL ORIENTATION
- 3 - 2 OUTER LP PER 2X1, NORMAL ORIENTATION
- 4 - 4 LP PER 2X1, REVERSING ORIENTATION
- 5 - 2 INNER LP PER 2X1, REVERSING ORIENTATION
- 6 - 2 OUTER LP PER 2X1, REVERSING ORIENTATION
- 7 - 3 LP PER 2X1, 2 OUTER LP, NORMAL ORIENTATION
- 8 - 3 LP PER 2X1, 2 OUTER LP, REVERSING ORIENTATION

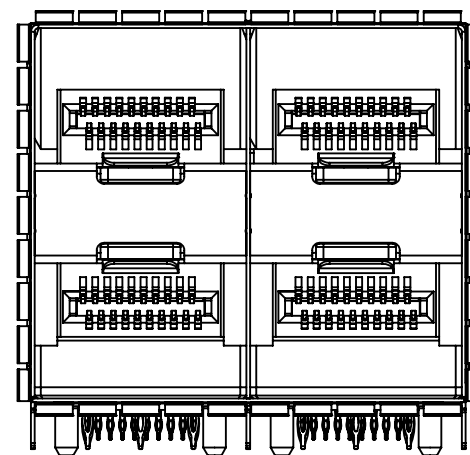
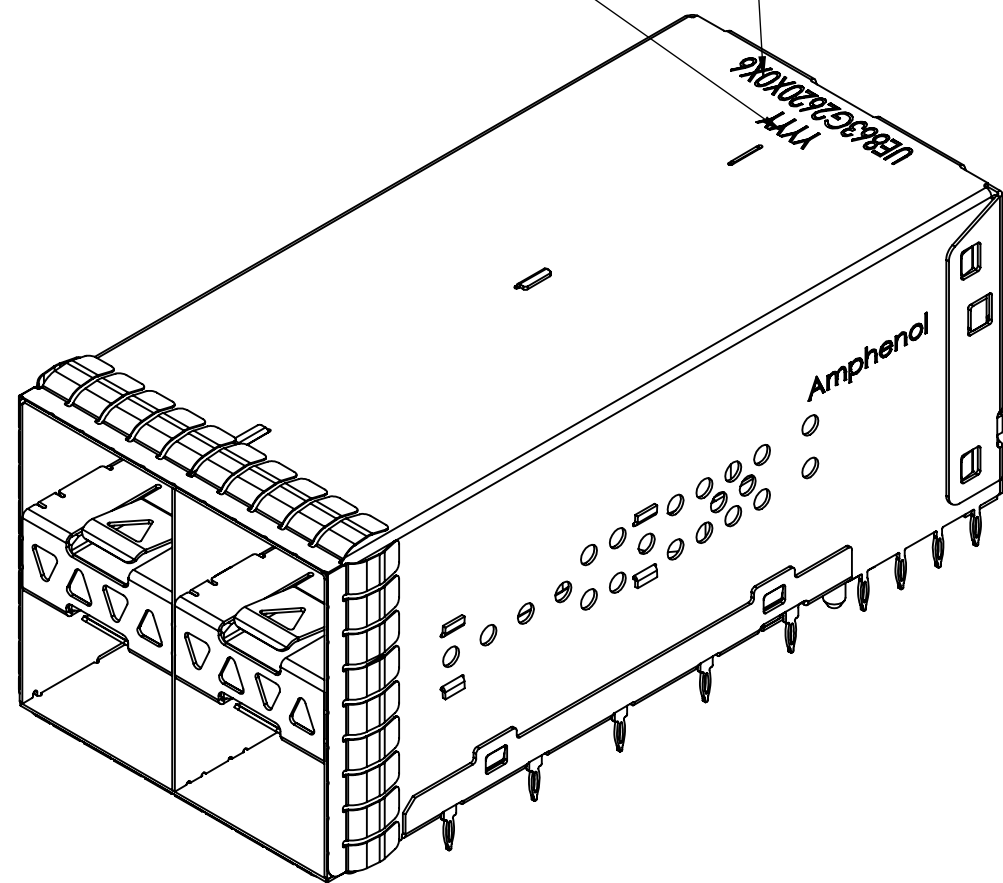
PACKAGING

- 1 - TRAY PACKAGING (STACKED)

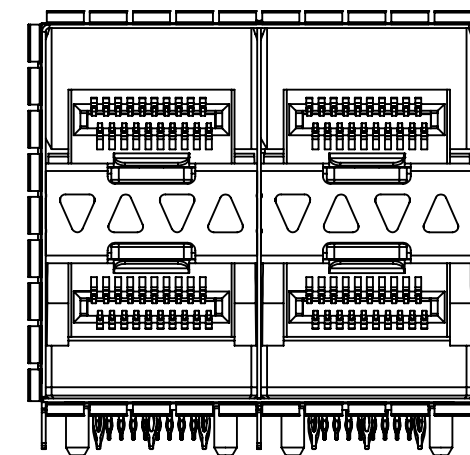
PLATING OPTIONS FOR CONNECTOR

- 2 - 30µ" GOLD PLATING ON MATING AREA  
15~100µ" MATTE TIN ON TERMINATION
- 3 - 30µ" GOLD PLATING ON MATING AREA  
150~300µ" MATTE TIN ON TERMINATION
- 5 - 15µ" GOLD PLATING ON MATING AREA  
15~100µ" MATTE TIN ON TERMINATION
- 6 - 15µ" GOLD PLATING ON MATING AREA  
150~300µ" MATTE TIN ON TERMINATION

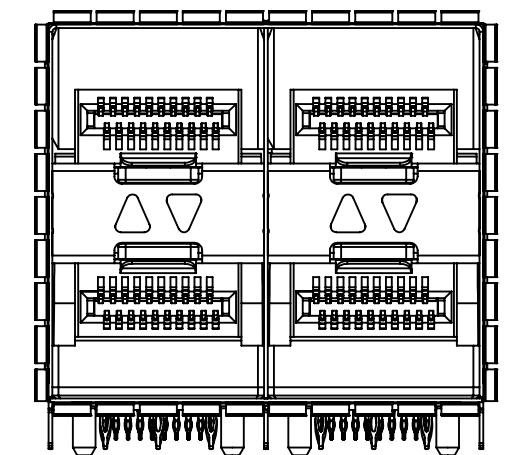
PART NUMBER (LAST DIGIT INDICATING PACKAGING TYPE, NOT PRINTED ON THE PART)  
 DATE CODE



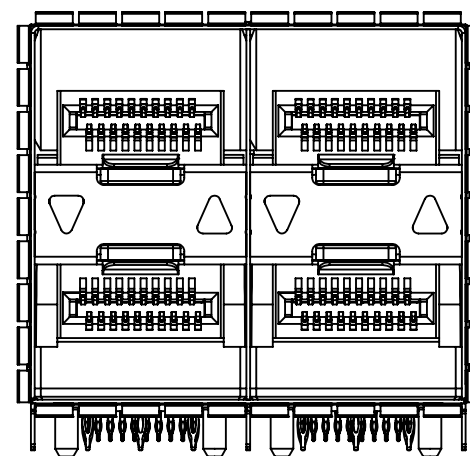
NO LIGHT PIPES  
 UE86-3G2620-00X61



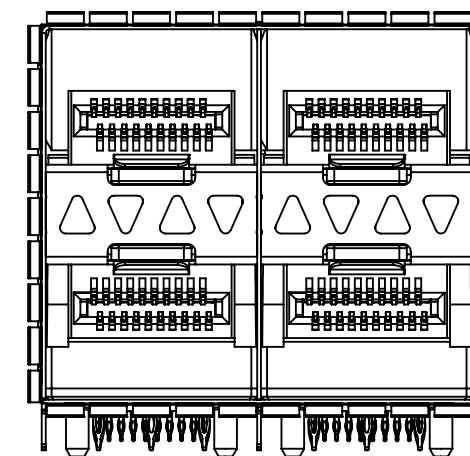
4 LIGHT PIPES  
 UE86-3G2620-10X61



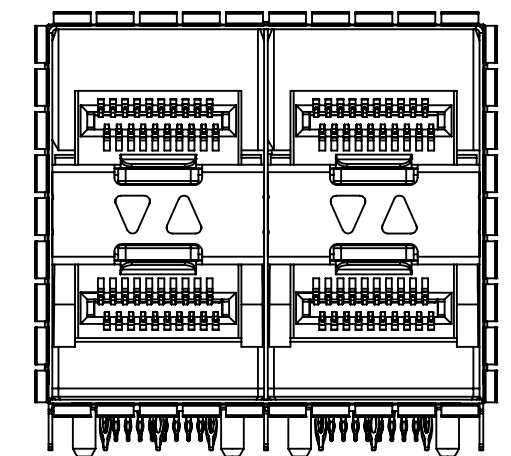
2 INNER LIGHT PIPES  
 UE86-3G2620-20X61



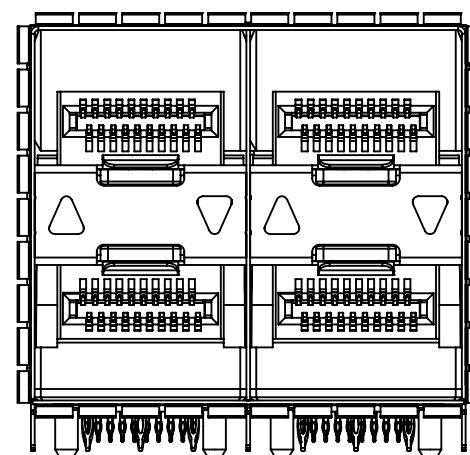
2 OUTER LIGHT PIPES  
 UE86-3G2620-30X61



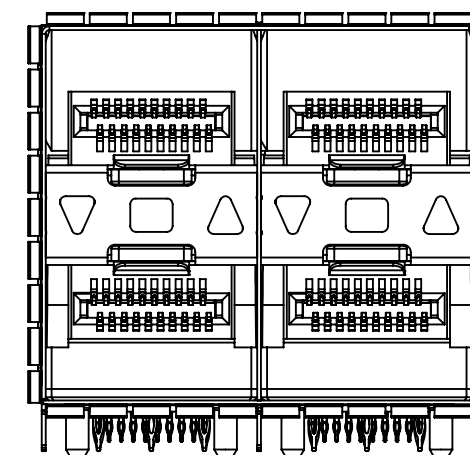
4 LIGHT PIPES UPSIDE DOWN  
 UE86-3G2620-40X61



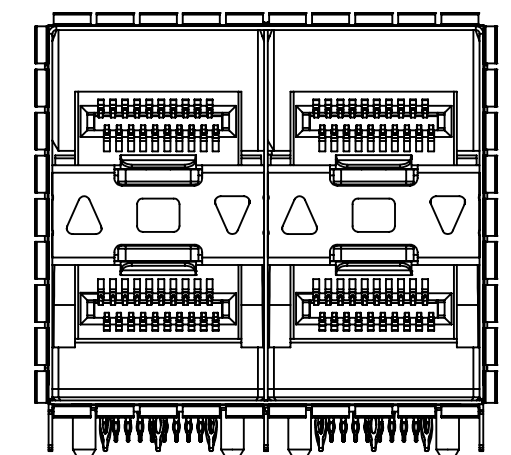
2 INNER LIGHT PIPES UPSIDE DOWN  
 UE86-3G2620-50X61



2 OUTER LIGHT PIPES UPSIDE DOWN  
 UE86-3G2620-60X61



3 LIGHT PIPES  
 UE86-3G2620-70X61



3 LIGHT PIPES UPSIDE DOWN  
 UE86-3G2620-80X61

MATERIAL: (RoHS COMPLIANT)

1. CAGE - PRESS FIT: COPPER ALLOY (NICKEL SILVER)
2. CONNECTOR - PRESS FIT:  
 -PLASTIC HOUSING: LCP, FLAMMABILITY RATING UL94-V0.  
 -CONTACTS: PHOSPHOR BRONZE
3. LIGHT PIPE: CLEAR POLYCARBONATE, FLAMMABILITY RATING UL94-V0.
4. PACKAGING: TRAY PACKAGING.
5. TEMPERATURE RANGE: -40°C TO +85°C



REVISIONS				
REV.	ECN	DESCRIPTION	DATE	APPROVED
C		UPDATE NOTES	AUG 15/14	J.SI
D		CHANGED PCB THICKNESS	NOV 03/15	J.SI
E		REMOVED DIM. ZONE C2, SHEET 2 OF 4	OCT 31/16	J.SI

THIS DOCUMENT CONTAINS PROPRIETARY INFORMATION AND SUCH INFORMATION MAY NOT BE DISCLOSED TO OTHERS FOR ANY PURPOSE OR USED FOR MANUFACTURING PURPOSES WITHOUT WRITTEN PERMISSION FROM AMPHENOL CANADA CORP.

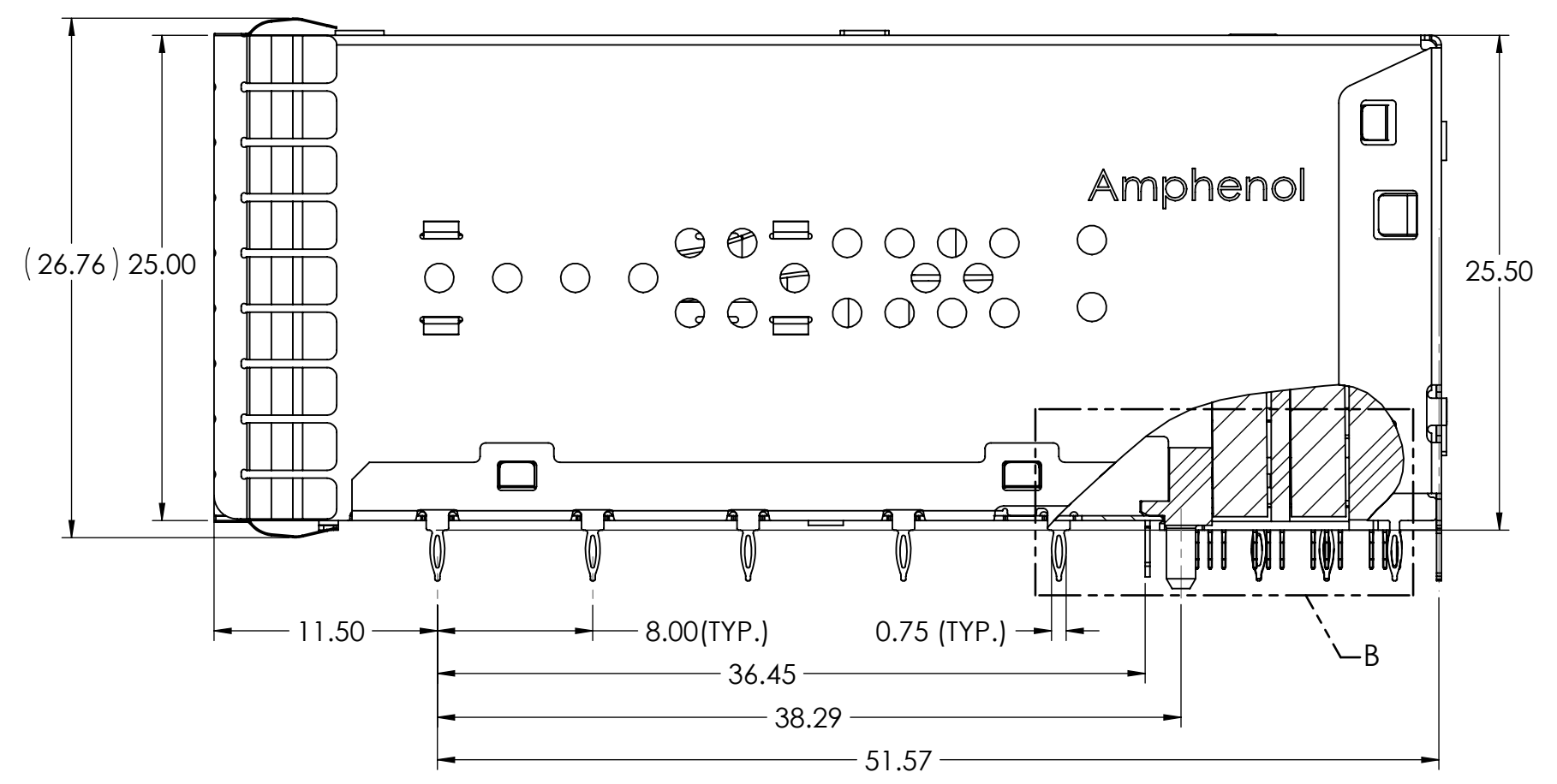
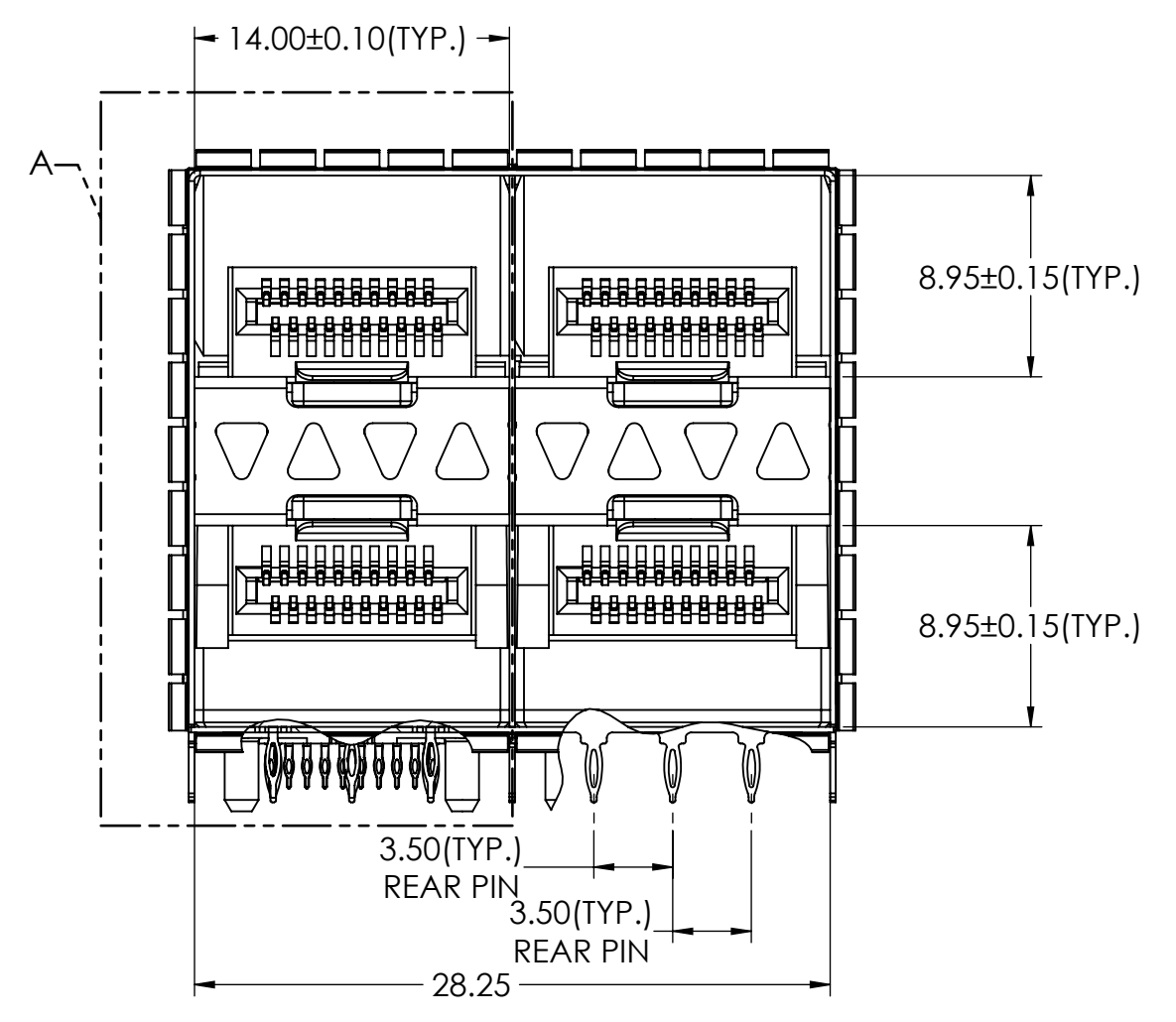
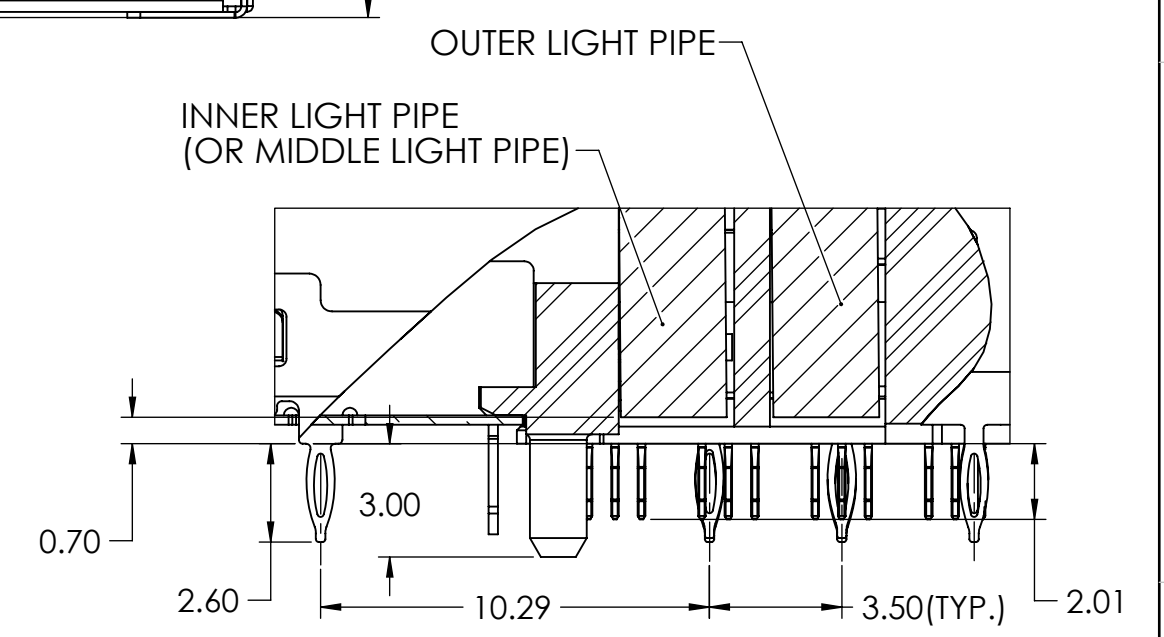
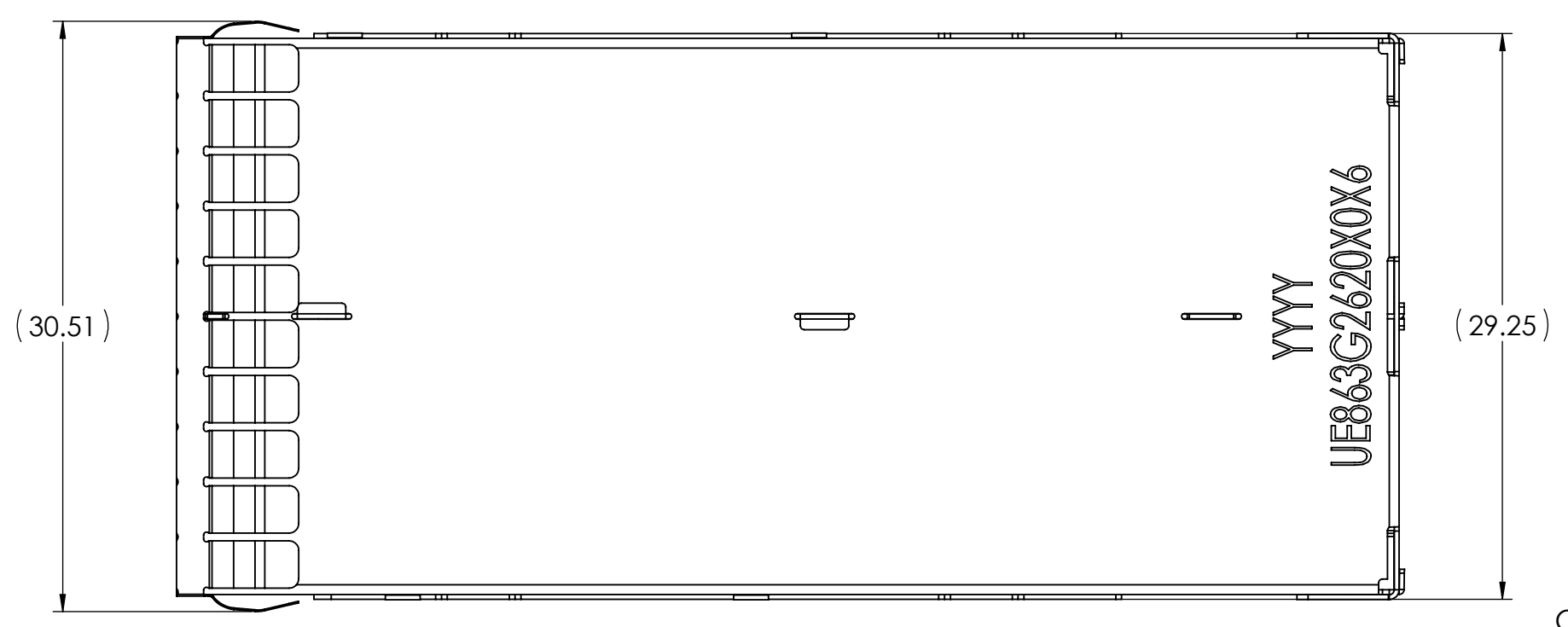
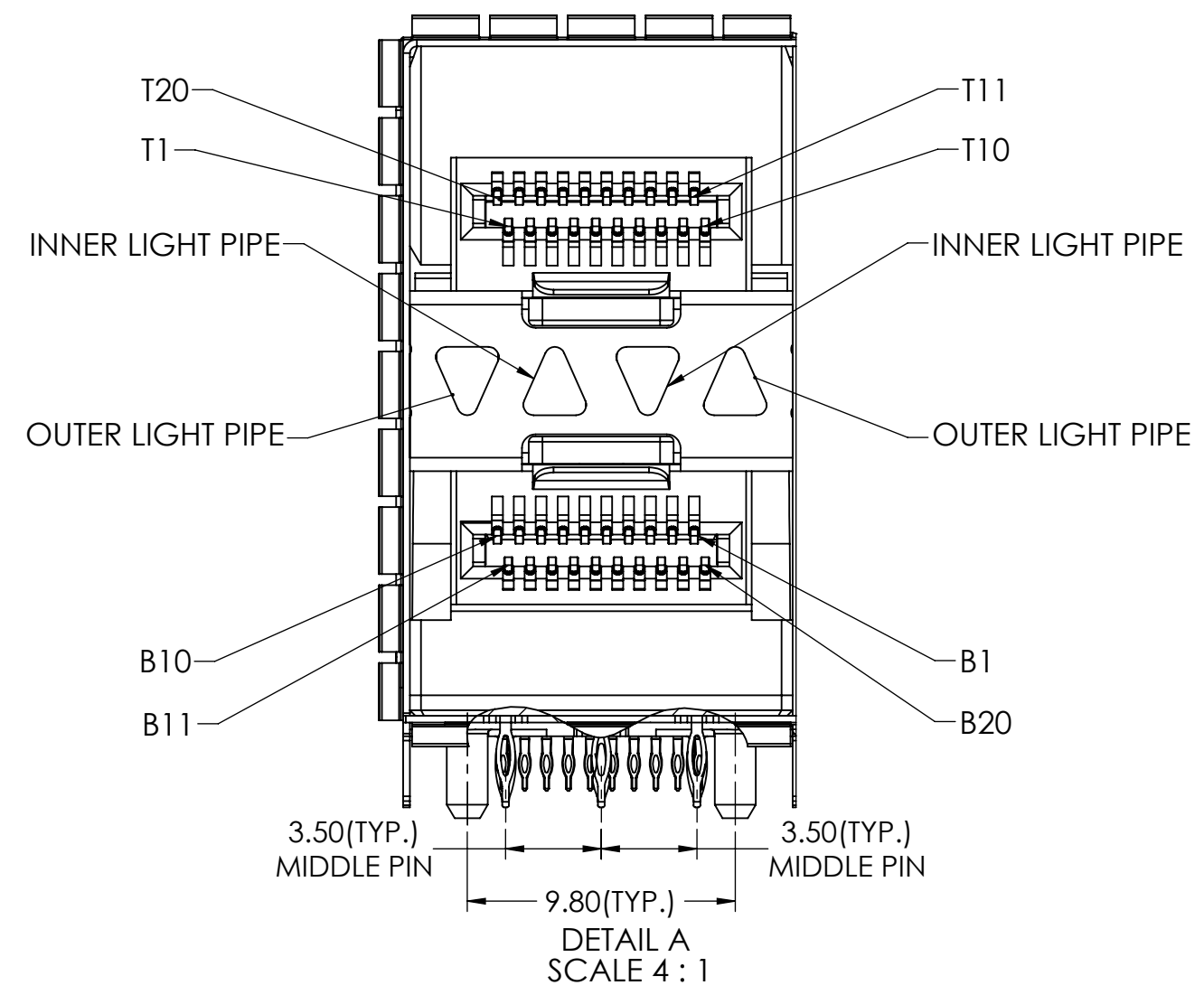
UNLESS SPECIFIED OTHERWISE	DRAWN	P. OU	FEB10/14
DIMENSIONS ARE IN MILLIMETERS	CHECKED	J. SI	NOV03/15
REFERENCE IN PARENTHESES	M.E. APP'D		
GENERAL TOLERANCES	Q.A. APP'D		
1 DECIMAL PLACE ±0.25	DWG APP'D	J. SI	NOV03/15
2 DECIMAL PLACE ±0.15	MATERIAL AND FINISH	SEE NOTES	
3 DECIMAL PLACE ±0.10	REF.	ECN Exxxxx	
ANGULAR DEGREES ±1°	THIRD ANGLE PROJECTION		
ENG. REL. NO.	DO NOT SCALE DRAWING		

**Amphenol High Speed Interconnects**  
 A Division of Amphenol Corp. www.amphenolcanada.com

2X2 SFP ULTRAPORT WITH LIGHT PIPE OPTIONS AND EMI SPRING FINGER

DWG. NO.	P-UE86-3G2620-X0X61	REV E
CODE ID NO.	03554	DWG SIZE: C
SCALE: 2:1	SHEET 1 OF 4	

REVISIONS				
REV.	ECN	DESCRIPTION	DATE	APPROVED
C		UPDATE NOTES	AUG 15/14	J.SI
D		CHANGED PCB THICKNESS	NOV 03/15	J.SI
E		REMOVED DIM. ZONE C2, SHEET 2 OF 4	OCT 31/16	J.SI

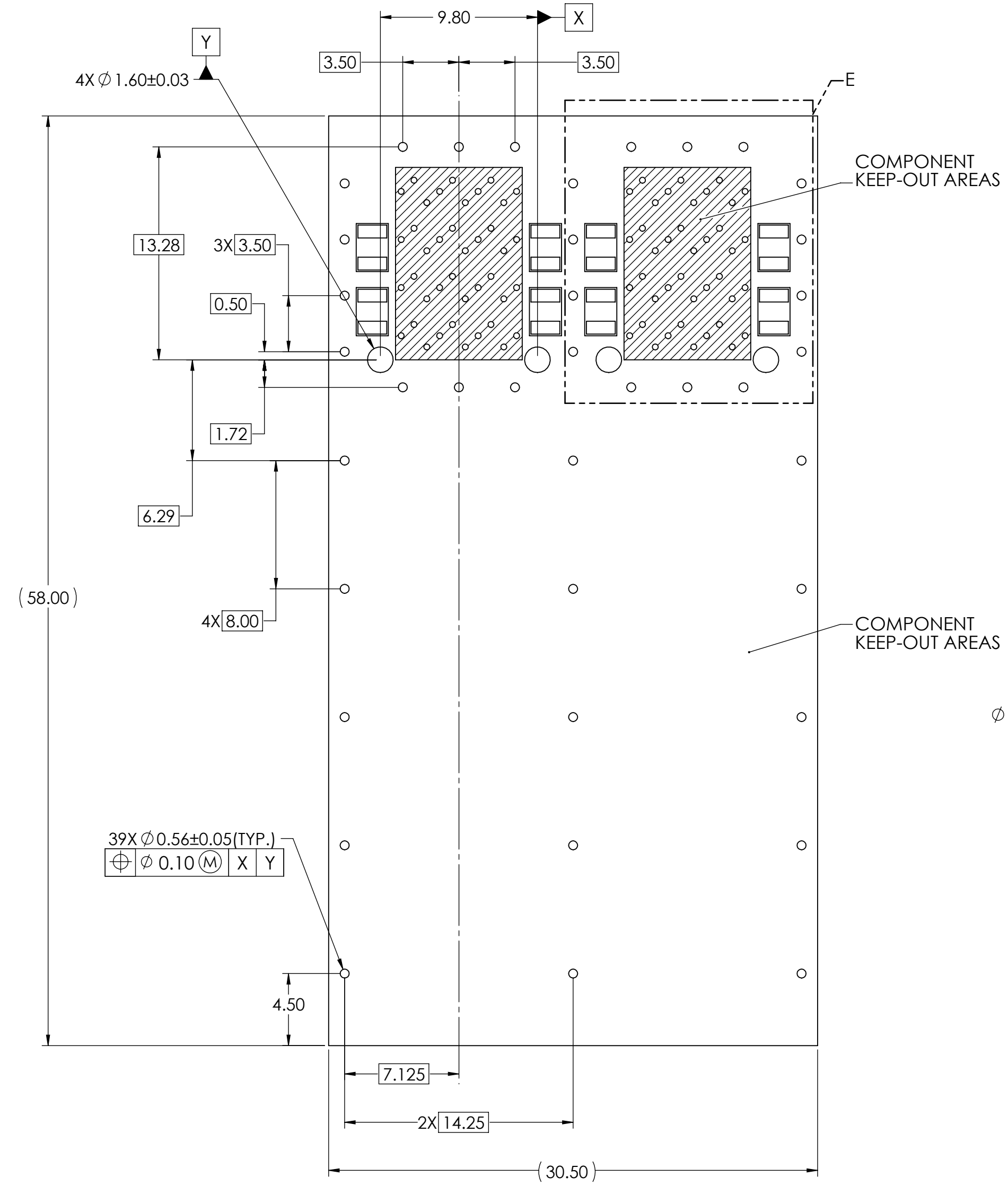


UNLESS SPECIFIED OTHERWISE DIMENSIONS ARE IN MILLIMETERS REFERENCE IN PARENTHESES GENERAL TOLERANCES	DRAWN P. OU CHECKED J. SI M.E. APP'D Q.A. APP'D DWG APP'D J. SI MATERIAL AND FINISH SEE NOTES REF. ECN Exxxxx	FEB10/14 NOV03/15 NOV03/15	<b>Amphenol High Speed Interconnects</b> A Division of Amphenol Corp. www.amphenolcanada.com
1 DECIMAL PLACE ±0.25 2 DECIMAL PLACE ±0.15 3 DECIMAL PLACE ±0.10 ANGULAR DEGREES ±1° ENG. REL. NO.	THIRD ANGLE PROJECTION	DO NOT SCALE DRAWING	<b>2X2 SFP ULTRAPORT WITH LIGHT PIPE OPTIONS AND EMI SPRING FINGER</b>
THIS DOCUMENT CONTAINS PROPRIETARY INFORMATION AND SUCH INFORMATION MAY NOT BE DISCLOSED TO OTHERS FOR ANY PURPOSE OR USED FOR MANUFACTURING PURPOSES WITHOUT WRITTEN PERMISSION FROM AMPHENOL CANADA CORP.		DWG. NO. P-UE86-3G2620-X0X61	REV E
		CODE ID NO. 03554	DWG SIZE: C SCALE: 3:1 SHEET 2 OF 4

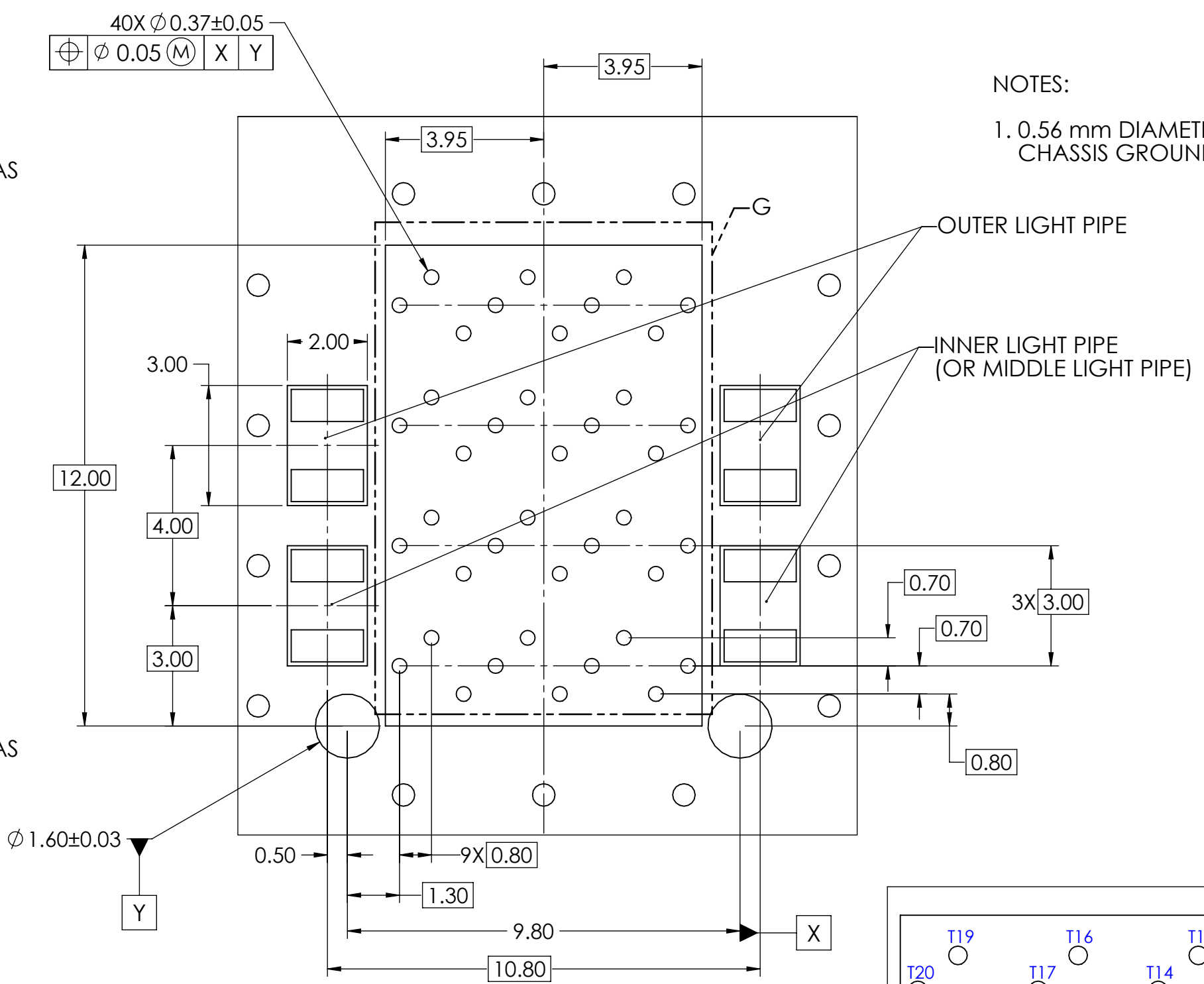
THIS DOCUMENT CONTAINS PROPRIETARY INFORMATION AND SUCH INFORMATION MAY NOT BE DISCLOSED TO OTHERS FOR ANY PURPOSE OR USED FOR MANUFACTURING PURPOSES WITHOUT WRITTEN PERMISSION FROM AMPHENOL CANADA CORP.



REVISIONS				
REV.	ECN	DESCRIPTION	DATE	APPROVED
C		UPDATE NOTES	AUG 15/14	J.SI
D		CHANGED PCB THICKNESS	NOV 03/15	J.SI
E		REMOVED DIM. ZONE C2, SHEET 2 OF 4	OCT 31/16	J.SI

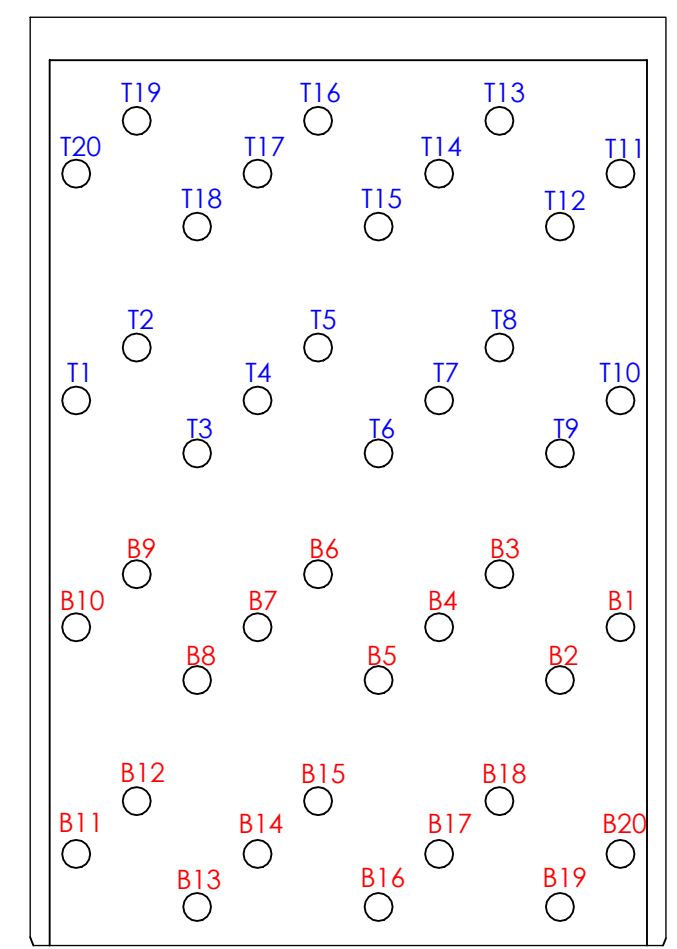


**2X2 PCB LAYOUT**



DETAIL E  
SCALE 8 : 1

NOTES:  
1. 0.56 mm DIAMETER HOLES ARE CHASSIS GROUND (39HOLES).



DETAIL G  
SCALE 10 : 1

THIS DOCUMENT CONTAINS PROPRIETARY INFORMATION AND SUCH INFORMATION MAY NOT BE DISCLOSED TO OTHERS FOR ANY PURPOSE OR USED FOR MANUFACTURING PURPOSES WITHOUT WRITTEN PERMISSION FROM AMPHENOL CANADA CORP.

UNLESS SPECIFIED OTHERWISE	DRAWN	P. OU	FEB10/14	<b>Amphenol High Speed Interconnects</b> A Division of Amphenol Corp. www.amphenolcanada.com
DIMENSIONS ARE IN MILLIMETERS	CHECKED	J. SI	NOV03/15	
REFERENCE IN PARENTHESES	M.E. APP'D			2X2 SFP ULTRAPORT WITH LIGHT PIPE OPTIONS AND EMI SPRING FINGER
GENERAL TOLERANCES	Q.A. APP'D			
1 DECIMAL PLACE ±0.25	DWG APP'D	J. SI	NOV03/15	REV <b>E</b>
2 DECIMAL PLACE ±0.15	MATERIAL AND FINISH	SEE NOTES		
3 DECIMAL PLACE ±0.10	REF.	ECN Exxxxx	DWG. NO.	P-UE86-3G2620-X0X61
ANGULAR DEGREES ±1°	THIRD ANGLE PROJECTION	DO NOT SCALE DRAWING		
ENG. REL. NO.				CODE ID NO. 03554
				DWG SIZE: C
				SCALE: 4:1
				SHEET 4 OF 4