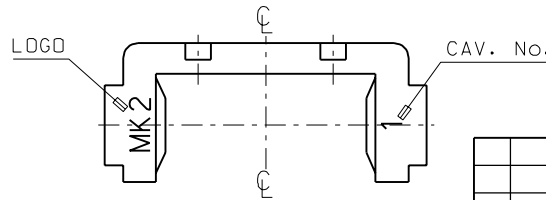
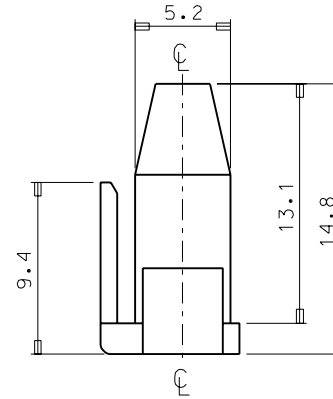
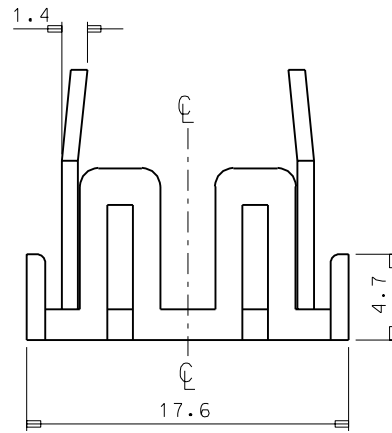
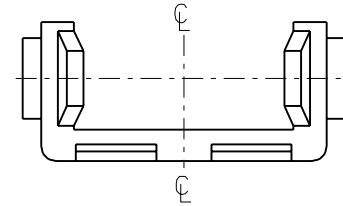
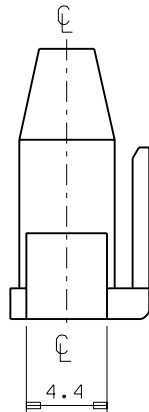


PROJECT NO. SIMILAR ITEM EDP NO. ENG. NO. SD 35965-029*



- NOTES
- MATERIAL : NYLON 66 (UL94V-2)
 - COLOR : 35965-0290 (NATURAL)
35965-0292 (RED)
35965-0293 (YELLOW)
35965-0294 (BLUE)
 - MATCHED HOUSING : 35965-020*
35965-021*

				MATERIAL SEE NOTES		molex MOLEX-KOREA CO.,LTD.	
				GENERAL TOLERANCE		DRAWN BY J. S. KANG	
				DIMENSION : ± 0.3		CHK'D BY	
				ANGLE : $\pm 1^\circ$		APP'D BY	
				DIMENSION CLASSIFICATION		SCALE 4/1	
				▽ : CRITICAL ▼ : MAJOR		TITLE :	
				() : REFERENCE		.070 MULTI FEMALE	
A NEW RELEASED		96 12.12		ASS'Y PART		HOUSING T.P.A-2P	
LTR REVISION RECORD		ECN DATE		DESCRIPTION ENG. NO.		SHEET 1 of 1	
REVISE ONLY ON CAD SYSTEM				---		ENG. NO. SD 35965-029*	
						REV A	