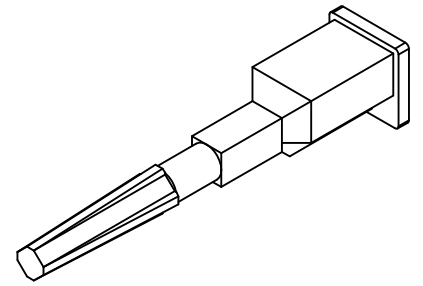


| PART NO. | ENG. NO. | MATERIAL (SEE NOTE 1) | COLOR (SEE NOTE 1) |
|------------|----------|--------------------------|-----------------------|
| 15-04-0211 | 42232-BA | B | A |

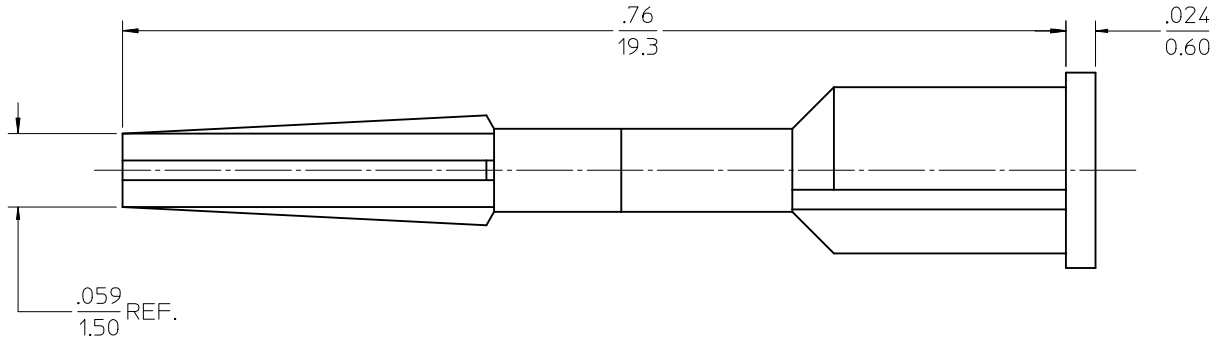
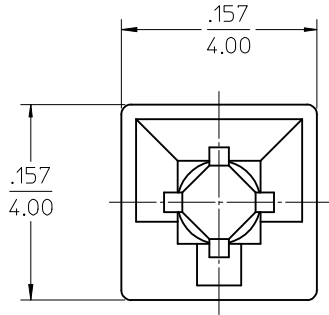
LEGEND

42232-***

BASE NO. _____
 MATERIAL _____
 COLOR _____



ISO VIEW
SCALE 5:1



NOTES:

1. MATERIAL: "B"=NYLON 6/6, UL 94V-0; COLOR: "A"=NATURAL
2. FINISH: NONE
3. PRODUCT SPECIFICATION: NONE
4. PACKAGING: PK-42232-001.
5. THIS PART FOR USE WITH MOLEX RECEPTACLE NO. 5557, 30067 AND 42474.
6. KEY TO BE INSERTED FROM WIRE ENTRY SIDE OF RECEPTACLE HOUSING.
7. PART CONFORMS TO CLASS "B" REQUIREMENTS OF COSMETIC SPECIFICATION PS-45499-002.

| | | | | | | | |
|--|----------------------|-----------------|---|-------------------|--------------|--------------|---|
| ADDED PK-42232-001 EC NO: UCP2010-2159 DRWN: J JAGUILAR 2010/02/25 CHKD: J BELL 2010/02/25 APPR: FSMITH 2010/03/08 | DESCRIPTION REV 1 | QUALITY SYMBOLS | GENERAL TOLERANCES (UNLESS SPECIFIED) mm INCH 4 PLACES ± --- ± --- 3 PLACES ± --- ± .010 2 PLACES ± 0.25 ± .015 1 PLACE ± 0.38 ± --- ANGULAR ± 1/2° | DIMENSION STYLE | SCALE | DESIGN UNITS | THIRD ANGLE PROJECTION POLARIZING KEY FOR MINI-FIT JR. SERIES RECEPTACLE MOLEX INCORPORATED SD-42232-*** |
| | | IN/MM | | 10:1 | METRIC | | |
| | | DRAWN BY DATE | | TITLE | | | |
| | | CHECKED BY DATE | | MATERIAL NO. DATE | | | |
| DRAFT WHERE APPLICABLE MUST REMAIN WITHIN DIMENSIONS | | SEE CHART | APPROVED BY DATE FSMITH 2010/03/08 | MOLEX | DOCUMENT NO. | SHEET NO. | |
| | | SIZE B | THIS DRAWING CONTAINS INFORMATION THAT IS PROPRIETARY TO MOLEX INCORPORATED AND SHOULD NOT BE USED WITHOUT WRITTEN PERMISSION | | | | |