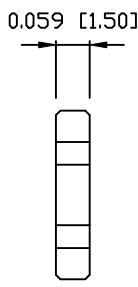
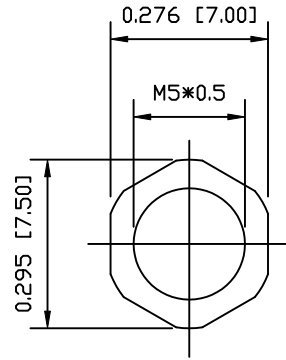
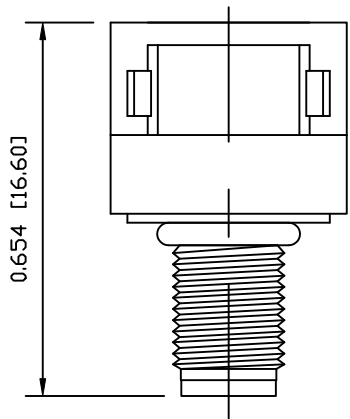


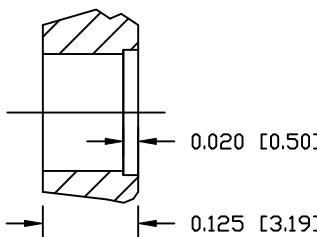
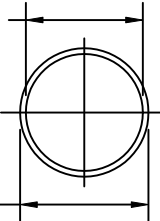
DESCRIPTION: M5 MALE - RIGHT ANGLE - PANEL MOUNT - 3 POSITION

UNITS = INCHES [MM]



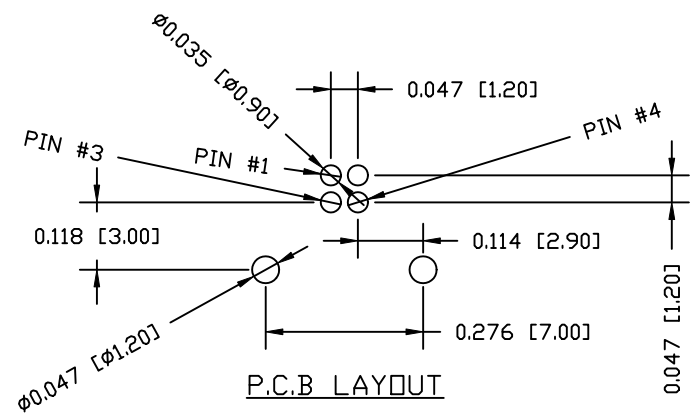
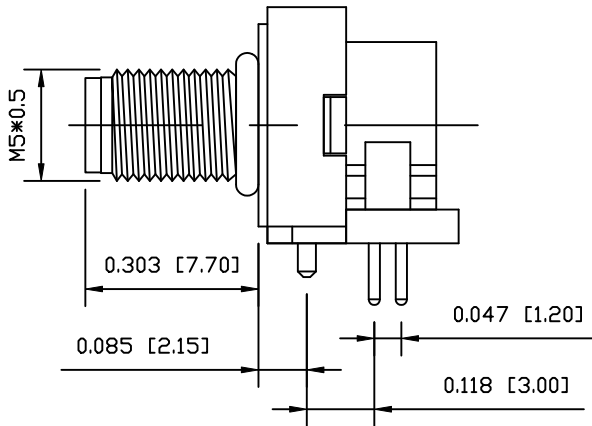
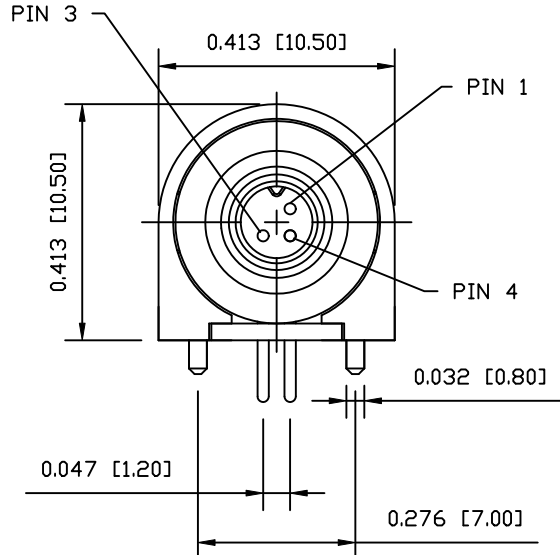
NUT

0.205 [5.20]  
+0.004, -0.00  
[+0.10, -0.00]



PANEL CUT-OUT

MAX. PANEL THICKNESS : 0.125"



P.C.B LAYOUT

NOTE:

MATERIAL  
 HOUSING: PBT UL94V-0, BLACK  
 CONTACT: BRASS  
 NUT: BRASS  
 O-RING: NBR, BLACK  
 BACK HOUSING: PBT UL94V-0, BLACK  
 DOWN HOUSING: PBT UL94V-0, BLACK

FINISH  
 CONTACT: GOLD PLATED  
 OVER 50µ" NICKEL  
 NUT: NICKEL PLATED

ELECTRICAL  
 RATED CURRENT: 1A  
 RATED VOLTAGE: 60V  
 INSULATION RESISTANCE: 100 MΩhms MIN.  
 CONTACT RESISTANCE: 10 MΩhms MAX.  
 WATER PROOF: IP67  
 ENVIRONMENT  
 OPERATION TEMPERATURE: -40°C TO +85°C  
 MAX. ASSEMBLY TORQUE: 1.5 in lbs

853-003-113R00Y

1 = GOLD FLASH  
 4 = 10µ" GOLD

RoHS COMPLIANT

DO NOT SCALE FROM DRAWING



THESE DRAWINGS AND SPECIFICATIONS ARE THE PROPERTY OF NorComp AND SHALL NOT BE REPRODUCED, COPIED OR USED AS THE BASIS FOR THE MANUFACTURE OR SALE OF APPARATUS WITHOUT WRITTEN PERMISSION.

DRAWN: M. SIGMON DATE: 03-04-16  
 CHECKED: DATE:

NorComp

SCALE: NTS SHEET 1 OF 1 REV 2  
 DWG NO. 853-003-113R00Y