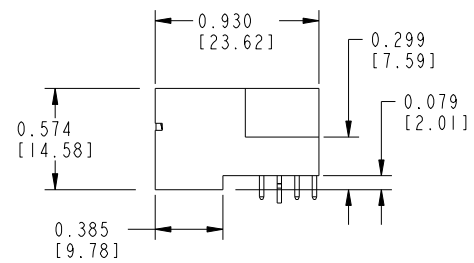
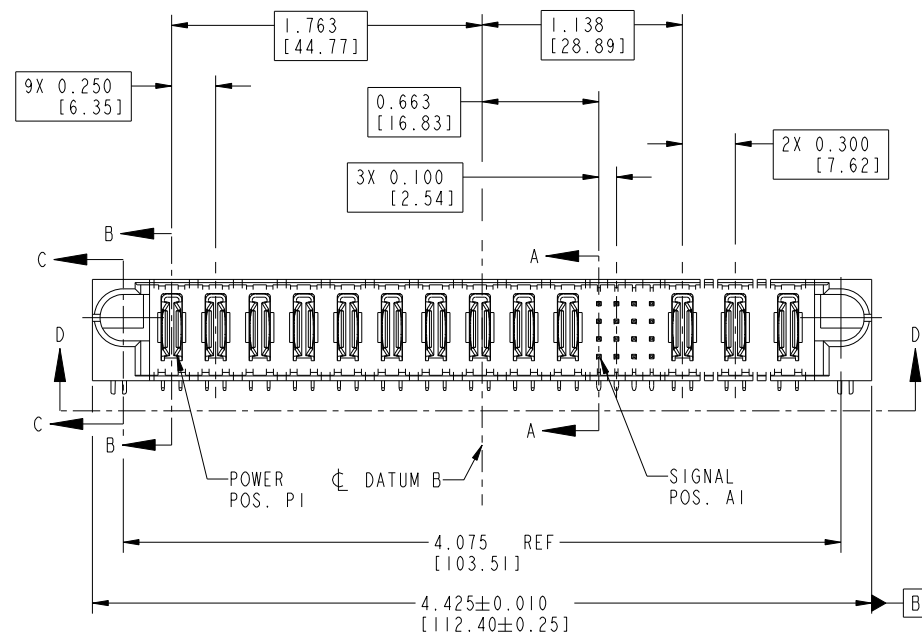
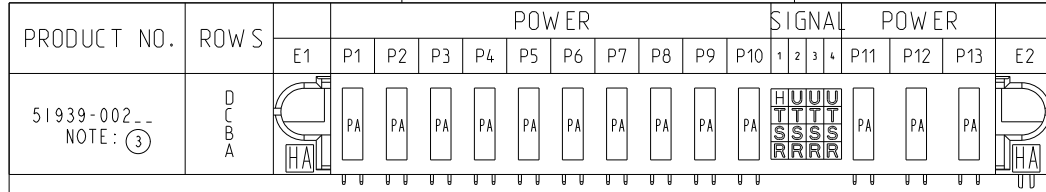


Tous droits strictement réservés. Reproduction ou communication à des tiers interdite sous quelque forme que ce soit sans autorisation écrite du propriétaire. Propriété de c.FCI. Droits de reproduction FCI.



All rights strictly reserved. Reproduction or issue to third parties in any form whatever is not permitted without written authority from the proprietor. Property of FCI. Copyright FCI.



CODE	DIM "M" MATING LENGTH	DIM "T" TAIL LENGTH	CONTACT TYPE
H	0.220 [5.59]	0.135 [3.43]	SIGNAL
R	0.270 [6.86]	0.135 [3.43]	SIGNAL
S	0.270 [6.86]	0.135 [3.43]	SIGNAL
T	0.270 [6.86]	0.135 [3.43]	SIGNAL
U	0.270 [6.86]	0.135 [3.43]	SIGNAL
PA	N/A [N/A]	0.135 [3.43]	POWER
HA	N/A [N/A]	N/A [N/A]	HOLD-DOWN

mat'l code				SEE NOTE 1		tolerances unless otherwise specified		CUSTOMER	
ltr	ecn no.	dr	date	linear	XX±.01/0.X±0.3	projection	COPY		
A	V12512	JWS	10/22/01	angles	.XXX±.005/0.XX±0.13		title 10P + 16S + 3ACP		
B	V12538	JWS	11/21/01	chr	.XXX±.002/0.XXX±0.051		RIGHT ANGLE SOLDER HEADER		
C	V03-0571	TAB	05/21/03	appr	0°+2°	INCH/MM	product family	PwrBlade	code
D	DG06-0008	JMG	01/07/06		J. SHAFFER 10/22/01	scale	size	dwg no	sheet
E	DG08-0273	WD	12/22/08		J. ALLISON 10/22/01	1:1	A	51939-002	213
sheet index				revision	E	E	E	E	1 of 4
				sheet	1	2	3	4	

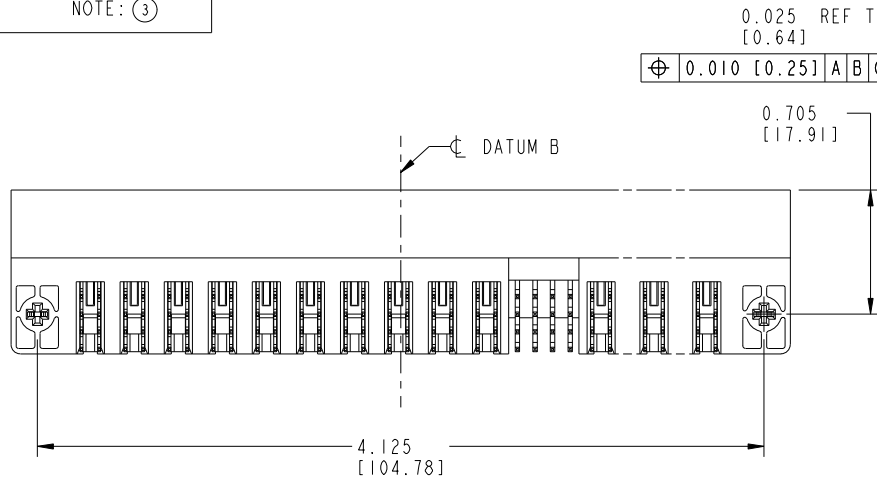
www.fciconnect.com	
product family PwrBlade code 213	
size dwg no 51939-002 sheet 1 of 4	
cage code 22526	4

Pro/E

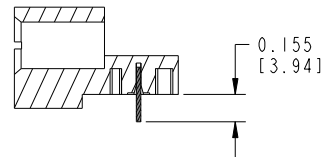
Tous droits strictement réservés. Reproduction ou communication à des tiers interdite sous quelque forme que ce soit sans autorisation écrite du propriétaire. Propriété de c FCI. Droits de reproduction FCI.

All rights strictly reserved. Reproduction or issue to third parties in any form whatsoever is not permitted without written authority from the proprietor. Property of FCI. Copyright FCI.

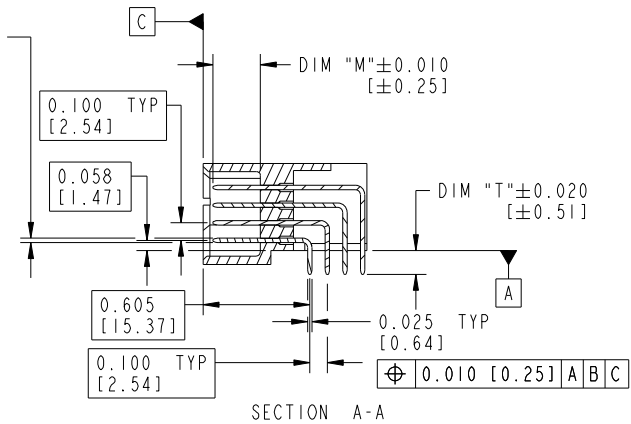
PRODUCT NUMBER
51939-002
NOTE: ③



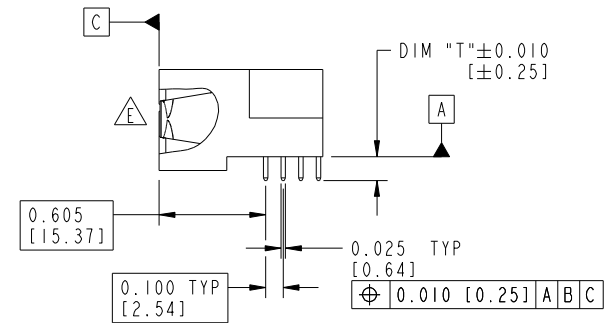
SECTION D-D




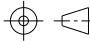
SECTION C-C



SECTION A-A



SECTION B-B

mat'l code		SEE NOTE 1		tolerances unless otherwise specified		CUSTOMER		 www.fciconnect.com	
ltr	ecn no.	dr	date	linear	.XX±.01/0.X±0.3	projection	COPY	title	
E					.XXX±.005/0.XX±0.13			10P + 16S + 3ACP	
				angles	.XXX±.0020/0.XXX±0.051	INCH/MM		RIGHT ANGLE SOLDER HEADER	
				dr	0°±2°	scale		product family	PwrBlade
				enr	J. SHAFFER 10/22/01	1:1		size	dwg no
				chr	J. ALLISON 10/22/01			A	51939-002
				appd	J. ALLISON 10/22/01			code	213
sheet index	revision sheet							scale	2

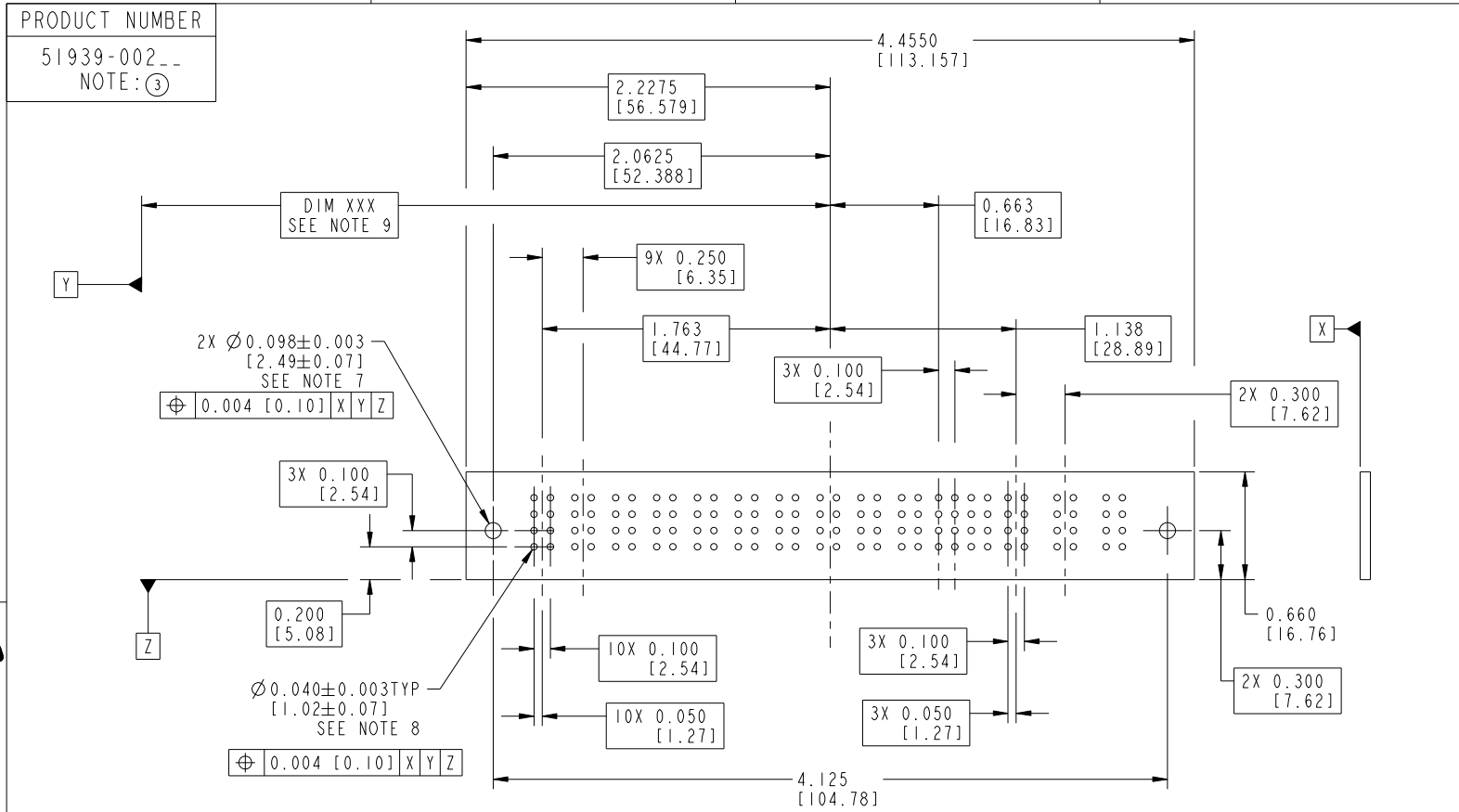
Pro/E

cage code 22526

Tous droits strictement reserves. Reproduction ou communication a des tiers interdite sous quelque forme que ce soit sans autorisation écrite du propriétaire. Propriete de c FCI. Droits de reproduction FCI.



All rights strictly reserved. Reproduction or issue to third parties in any form whatsoever is not permitted without written authority from the proprietor. Property of FCI. Copyright FCI.



mat'l code		SEE NOTE 1		tolerances unless otherwise specified		CUSTOMER		 www.fciconnect.com	
ltr	ecn no.	dr	date	linear	.XX±.01/0.X±0.3		COPY		 title 10P + 16S + 3ACP RIGHT ANGLE SOLDER HEADER
E					.XXX±.005/0.XX±0.13		projection		
					.XXX±.0020/0.XXX±0.051		 INCH/MM		
				angles	0° ± 2°		product family PwrBlade		code 213
		dr	J. SHAFFER	enr	J. ALLISON	10/22/01	size		dwg no 3
		chr	J. ALLISON	appr	J. ALLISON	10/22/01	scale		sheet 3
							A		51939-002
sheet index	revision sheet								

cage code 22526

Pro/E

Tous droits strictement reserves. Reproduction ou communication a des tiers interdite sous quelque forme que ce soit sans autorisation écrite du propriétaire. Propriete de c FCI. Droits de reproduction FCI.



All rights strictly reserved. Reproduction or issue to third parties in any form whatever is not permitted without written authority from the proprietor. Property of FCI. Copyright FCI.

PRODUCT NUMBER
51939-002--
NOTE: ③

NOTES:

1. DIMENSIONS AND TOLERANCES ARE IN ACCORDANCE WITH ASME Y14.5M, UNLESS OTHERWISE SPECIFIED.

CONNECTOR NOTES

2. HOUSING MATERIAL: UL 94 V-0 GLASS FILLED HIGH TEMP THERMOPLASTIC
POWER CONTACT MATERIAL: COPPER ALLOY
SIGNAL CONTACT MATERIAL: COPPER ALLOY

③ 3. SEE ITEM 1 & 2 IN PRINT 10064183 FOR PLATING SPEC OF 51939-002 AND 51939-002LF RESPECTIVELY.

4. "MANUFACTURER" NAME, P/N, AND DATE CODE TO APPEAR ON THIS SURFACE

5. PRODUCT SPECIFICATION GS-12-149

PCB NOTES:

6. ALL HOLE DIAMETERS ARE FINISHED HOLE SIZE

7. $\varnothing 0.098$ [2.49] THROUGH HOLES ARE UNPLATED.

8. $\varnothing 0.0453 \pm 0.0010$ [1.151 ± 0.025] DRILLED HOLES PLATED WITH 0.0003 [0.008] MIN SnPb OVER 0.001 [0.03] TO 0.003 [0.08] Cu PLATING TO ACHIEVE A $\varnothing 0.040 \pm 0.003$ [1.02 ± 0.07] HOLE.

9. "DIM "XXX" TO BE DETERMINED BY THE CUSTOMER.

10. A ③ SYMBOL WILL BE NEXT TO ANY DIMENSION, VIEW, OR NOTE WHICH HAS BEEN MODIFIED WITH THE CURRENT DRAWING REVISION.

mat'l code		SEE NOTE 1		tolerances unless otherwise specified		CUSTOMER		FCI		www.fciconnect.com	
ltr	ecn no.	dr	date	linear	.XX±.01/0.X±0.3	COPY		projection		title	
E					.XXX±.005/0.XX±0.13	③		③		10P + 16S + 3ACP	
				angles	.XXX±.002/0.XXX±0.051	INCH/MM		product family		code	
				dr	0°±2°	scale		PwrBlade		213	
				enr	J. SHAFFER 10/22/01	1:1		size		sheet	
				chr	J. ALLISON 10/22/01	A		dwg no		4	
				appd	J. ALLISON 10/22/01			51939-002			
sheet index	revision sheet										

cage code 22526