

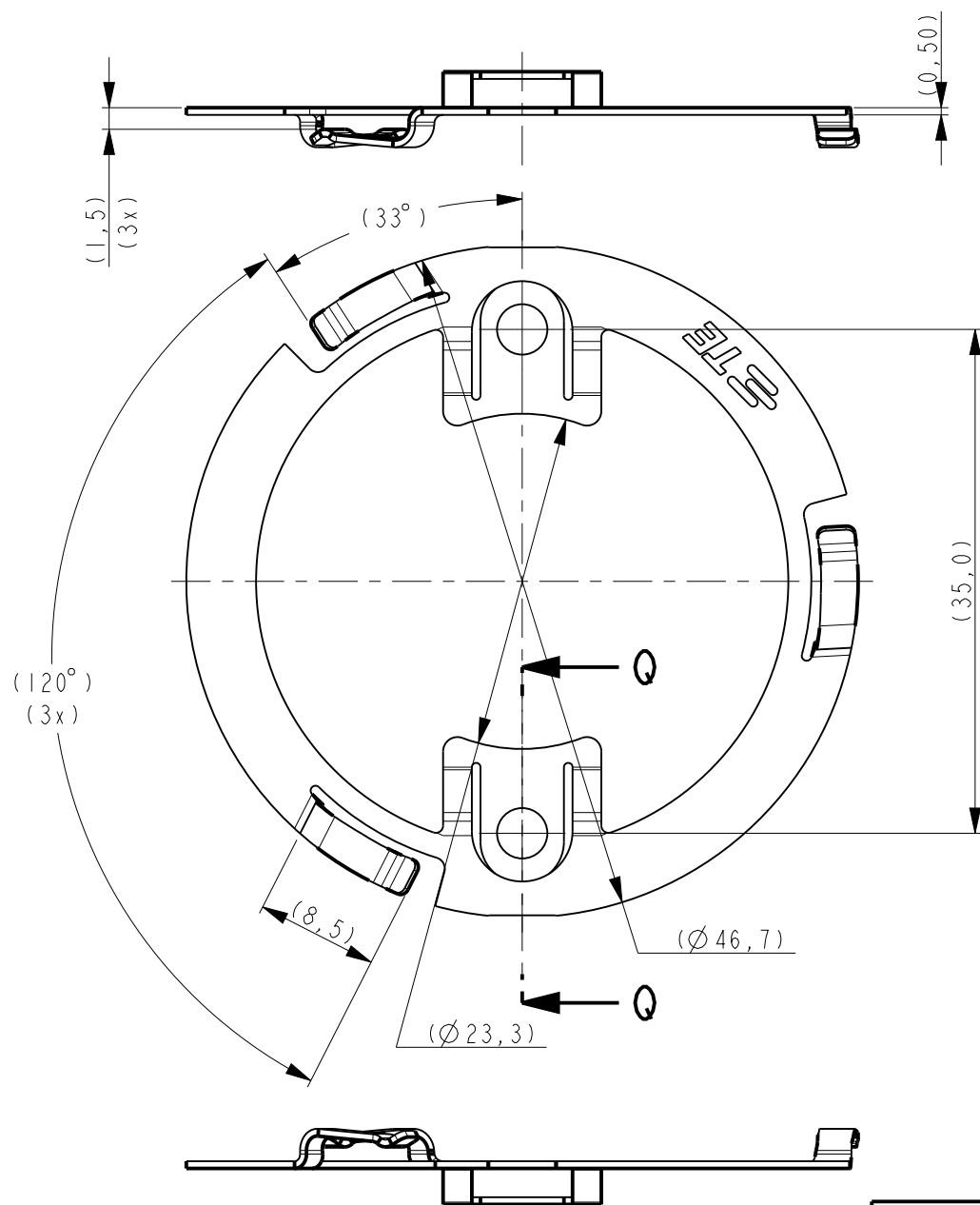
THIS DRAWING IS UNPUBLISHED. RELEASED FOR PUBLICATION

© COPYRIGHT - BY TYCO ELECTRONICS CORPORATION. ALL RIGHTS RESERVED.

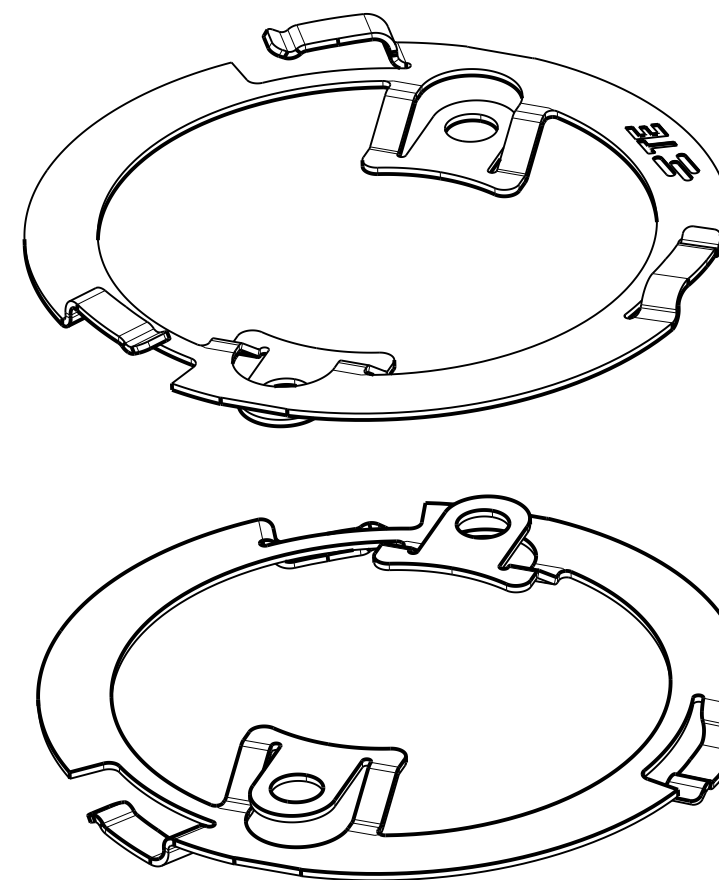
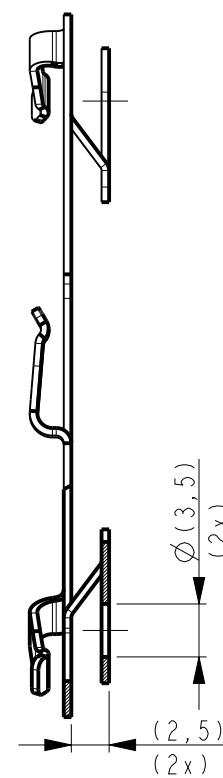
LOC	DIST	REVISIONS					
		P	LTR	DESCRIPTION	DATE	DWN	APVD
H	-		A	RELEASED PER ECR 13-005016	22MAR2013	PP	OL
			A1	REVISED PER ECR-14-000133	22JAN2014	YR	OL

NOTES:

1. MATERIAL: STAINLESS STEEL
2. MUST COMPLY WITH DIRECTIVE 2002/95/EC (ROHS)08 MAX.
3. TO BE USED INLINE WITH z50 ZHAGA COVERS.
4. TO BE USED OPTIC INTERFACE, SEE LAST SHEET.



SECTION Q-Q



PART NUMBER
2213194-1

THIS DRAWING IS A CONTROLLED DOCUMENT.

DIMENSIONS:	TOLERANCES UNLESS OTHERWISE SPECIFIED:
mm	
	0 PLC \pm
	1 PLC \pm
	2 PLC \pm
	3 PLC \pm
	4 PLC \pm
	ANGLES \pm

MATERIAL - FINISH -

DWN P. POORTER 02NOV2012
 CHK O. LEIJNSE 06NOV2012
 APVD O. LEIJNSE 06NOV2012

PRODUCT SPEC -
 APPLICATION SPEC -
 WEIGHT -

CUSTOMER DRAWING



NAME
LUMAWISE LED HOLDER OPTIC CLIP Z50,
TYPE I

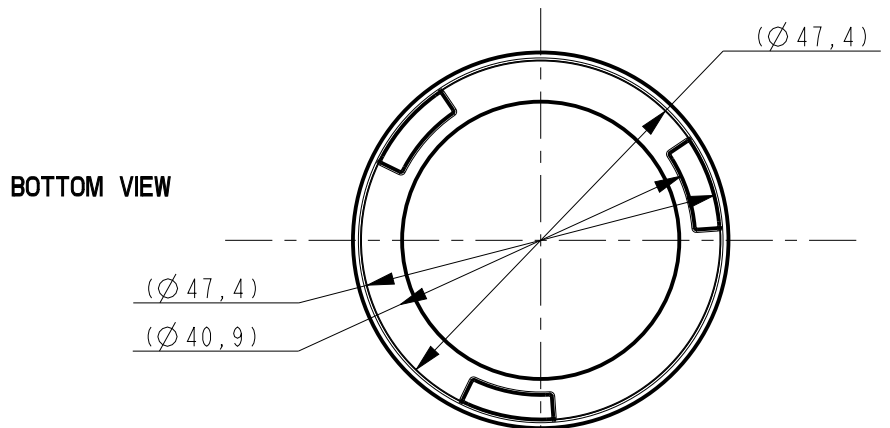
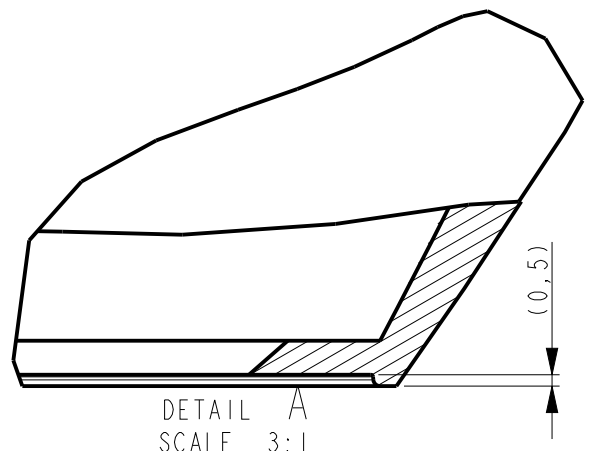
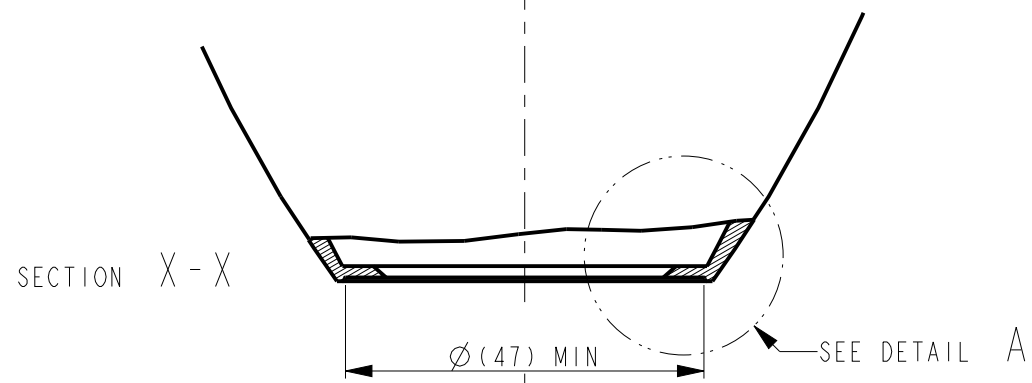
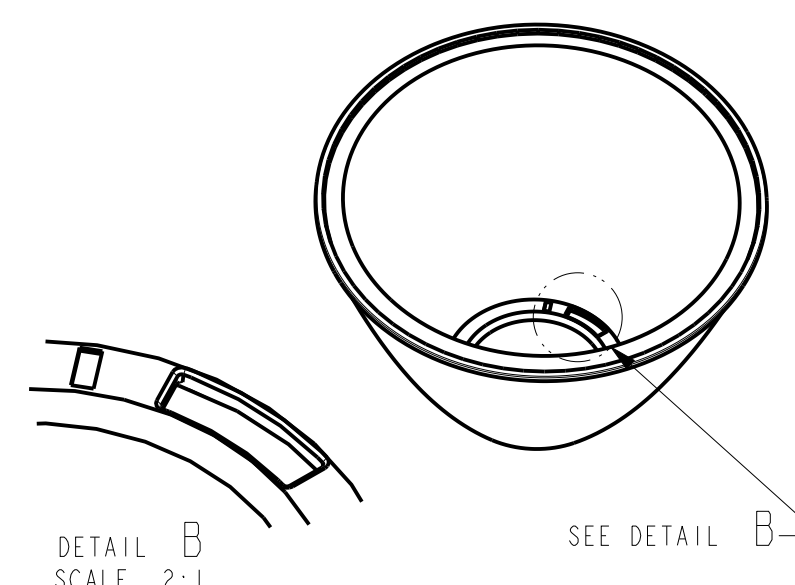
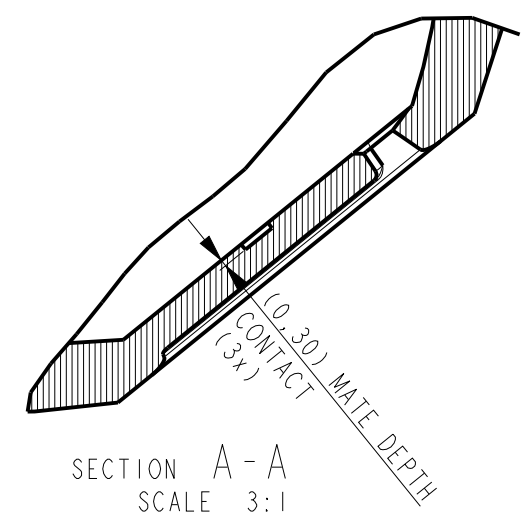
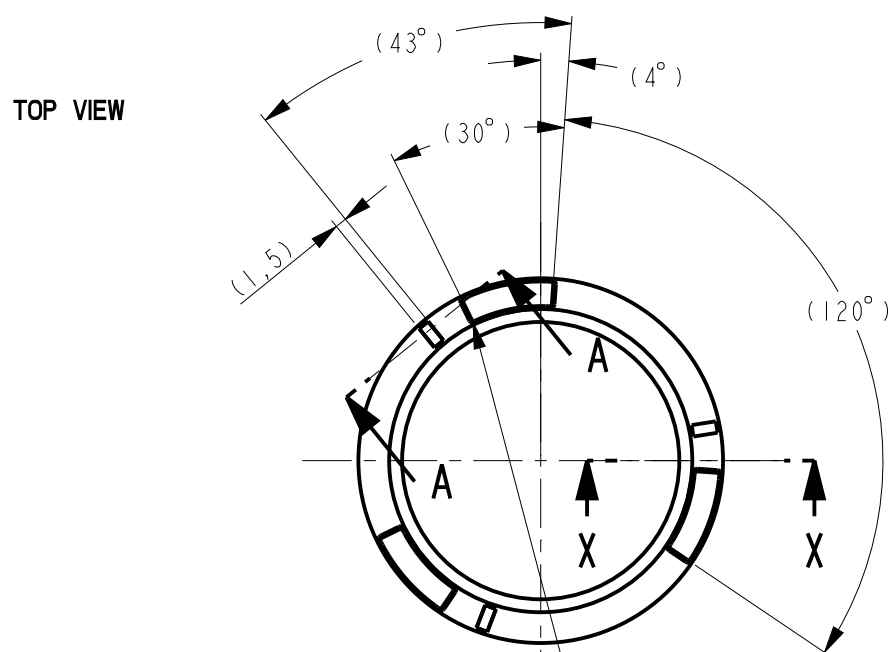
SIZE	CAGE CODE	DRAWING NO	RESTRICTED TO
A3	00779	C-2213194	-


SCALE 2:1 SHEET 1 OF 2 REV A1

THIS DRAWING IS UNPUBLISHED. RELEASED FOR PUBLICATION
 © COPYRIGHT - BY TYCO ELECTRONICS CORPORATION. ALL RIGHTS RESERVED.

LOC	DIST	REVISIONS					
H	-	P	LTR	DESCRIPTION	DATE	DWN	APVD
				SEE SHEET 1			

RECOMMENDED OPTIC INTERFACE:



THIS DRAWING IS A CONTROLLED DOCUMENT.		DWN P. POORTER 02NOV2012	 TE Connectivity	
DIMENSIONS: mm		CHK O. LEIJNSE 06NOV2012		
TOLERANCES UNLESS OTHERWISE SPECIFIED:		APVD O. LEIJNSE 06NOV2012	NAME LUMAWISE LED HOLDER OPTIC CLIP Z50, TYPE I	
0 PLC ±-		PRODUCT SPEC	-	
1 PLC ±-		APPLICATION SPEC	-	
2 PLC ±-		WEIGHT	-	
3 PLC ±-		CUSTOMER DRAWING	-	
4 PLC ±-		SCALE	2:1	
ANGLES ±-		SHEET	2 OF 2	
FINISH -		REV	A1	
MATERIAL -		SIZE	A3 00779	
		CAGE CODE	C-2213194	
		DRAWING NO	-	
		RESTRICTED TO	-	