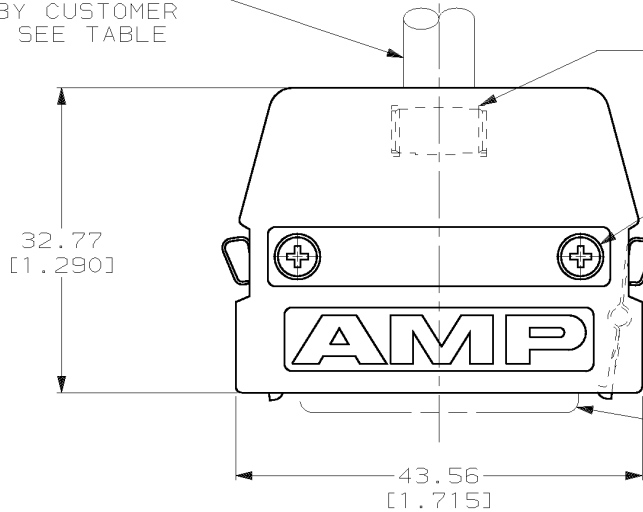


THIS DRAWING IS UNPUBLISHED. RELEASED FOR PUBLICATION , 19 .
 © COPYRIGHT 19 BY AMP INCORPORATED. ALL INTERNATIONAL RIGHTS RESERVED.

LOC	DIST	P	F	ZONE	LTR	DESCRIPTION	DATE	APPD
GP	00				H	REVISED PER EC 0513-0160-03	22MAY03	JG

CABLE SUPPLIED BY CUSTOMER SEE TABLE



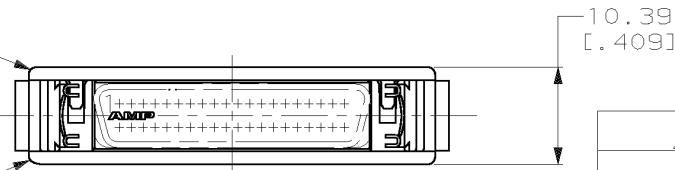
STRAIN RELIEF STAPLE (1 SUPPLIED)
 MATERIAL: STEEL
 FINISH: SEE TABLE

MACHINE SCREW (2 SUPPLIED)
 #2-56 UNC X 6.35 [1.250]

SPRING LATCH (2 SUPPLIED)
 MATERIAL: STAINLESS STEEL

CONNECTOR (MUST BE PURCHASED SEPARATELY)

UPPER BACKSHELL (1 SUPPLIED)
 MATERIAL: ZINC PLATING: NICKEL OVER COPPER



LOWER BACKSHELL (1 SUPPLIED)
 MATERIAL: ZINC PLATING: NICKEL OVER COPPER

- ① 8.13 [1.320] MAX CABLE DIA.
- ② 6.86 [1.270] MAX CABLE DIA.
- ③ OBSOLETE PART NUMBER.
- ④ BRIGHT TIN-LEAD OVER NICKEL.
- ⑤ BRIGHT TIN OVER NICKEL.

CABLE SIZE	PACKAGING	STAPLE FINISH	PART NO
②	BULK	④	749192-3
①	BULK	④	749192-2 ③
①	INDIVIDUAL	④	749192-1

DO NOT SCALE PRINT. UNLESS SPECIFIED DIMENSIONS IN mm [INCHES] TOLERANCES ON: 2 PLC DEC ± - 3 PLC DEC ± 0.38 [1.015] ANGLES ± -	DR 12-20-88 M.A. McCAFFREY CHK 12-20-88 M.E. SHIRK APPD 12-20-88 J. BROSHARD APPD 12-20-88 C.E. REYNOLDS	AMP INCORPORATED Harrisburg, Pa. 17105	
MATERIAL -	PRODUCT SPEC -	NAME KIT, UNASSEMBLED, 40 POSITION, STRAIGHT EXIT, UNKEYED, AMPLIMITE™ .050 SERIES	
FINISH -	APPLICATION SPEC -	SIZE B	FSCM NO 00779
	WEIGHT -	DRAWING NO 749192	SHEET 1 OF 1
		SCALE 2:1	