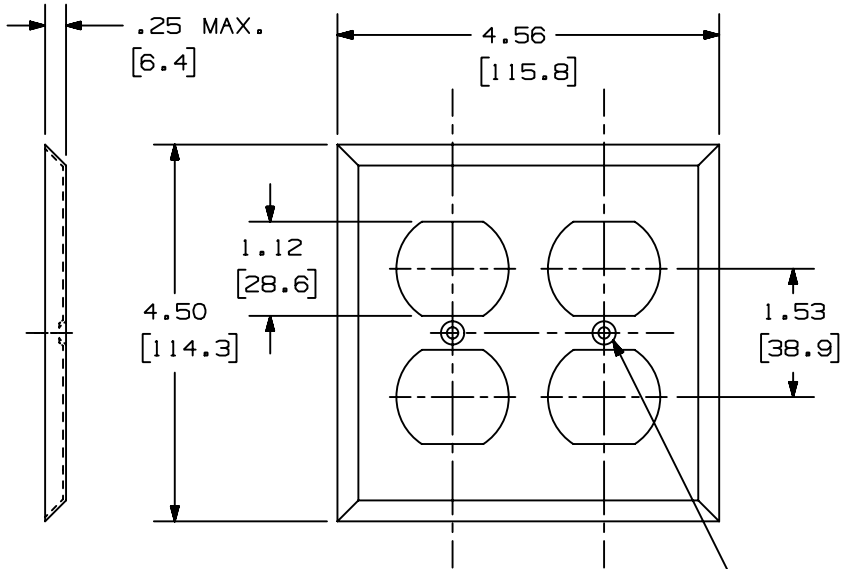


THIS COPY IS PROVIDED ON A RESTRICTED BASIS AND IS NOT TO BE USED IN ANY WAY DETRIMENTAL TO THE INTERESTS OF PANDUIT CORP.

PANDUIT P/N	WEIGHT
WPS-202	2.0 LB/10 PCS (910 g/10 PCS)



- NOTES:
1. SEE CURRENT CATALOG FOR ADDITIONAL PART NUMBER SUFFIXES TO INDICATE COLOR AND OR PACKAGE QUANTITY.
 2. BRUSH FINISH.
 3. TWO #6 X 32 X 1/2" OVAL HEAD SCREWS PROVIDED FOR FASTENING WALLPLATE.
 4. DIMENSIONS IN PARENTHESES ARE IN METRIC.

C'SK FOR #6 - 32 X 1/2"
OVAL HEAD SCREW

CAD FILENAME/LAYERS		M00142BP_DC_00A.PRT								
PANDUIT		CORP. TINLEY PARK, ILLINOIS								
		WPS-202 WALL PLATE FOR 2 GANG TWO DUPLEX RECEPTACLE CUSTOMER DRAWING								
UNLESS OTHERWISE SPECIFIED, DIMENSIONAL TOLERANCES ARE: (.X) ± (.XXX) ± .010(.3) (.XX) ± .03(.8) ANGLES ±		UNLESS OTHERWISE SPECIFIED, ALL DIMENSIONS ARE GIVEN IN INCHES, THIRD ANGLE PROJECTION.								
DRAWN BY	JBA	MAT'L:	NONE							
DATE	9-22-98	.030" THICK STAINLESS STEEL	DRAWING NO.							
CHECKED BY	CEF		00142-18							
REV	DATE	BY	CHK	DESCRIPTION	ECN	CHK	CUST	SUP	DWG	SIZE
R	9-22-98	JBA	CEF	RELEASED TO PRODUCTION.	00142-18	CEF	CEF		A	