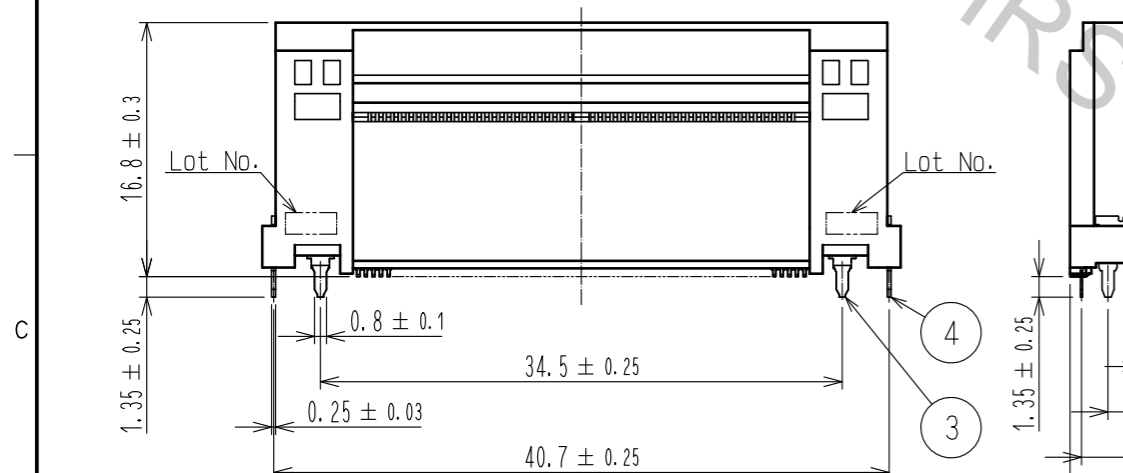
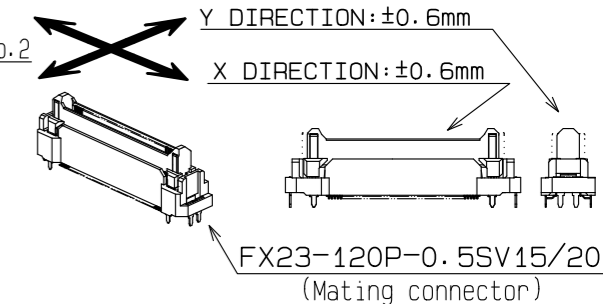
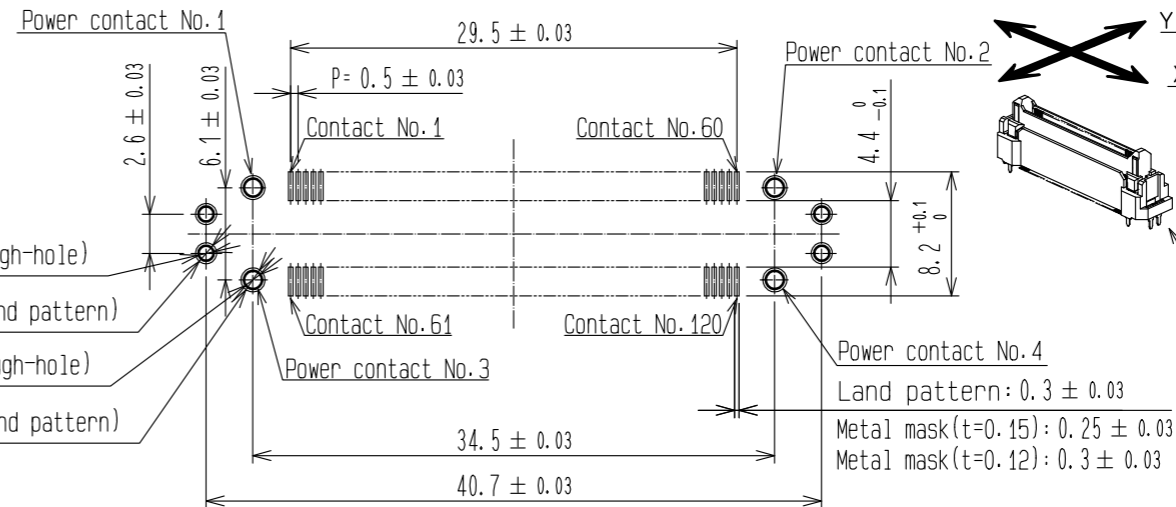
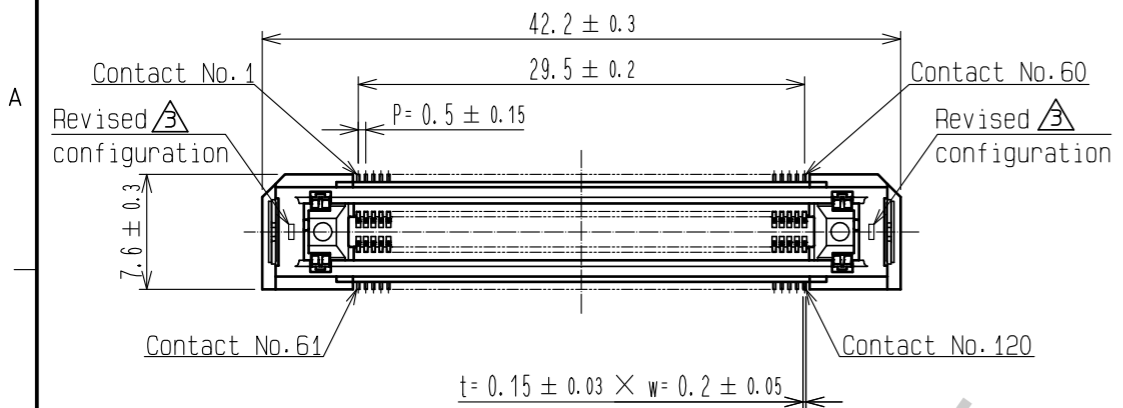


RECOMMENDED LAND PATTERN DIMENSION OF PCB

(PCB THICKNESS: t=1.6mm)

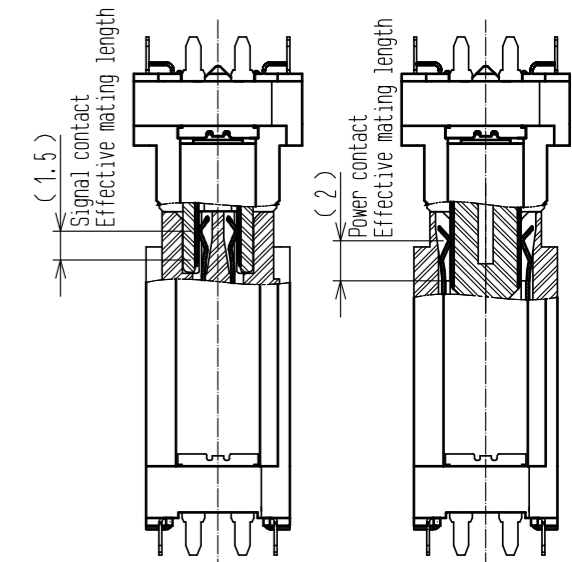
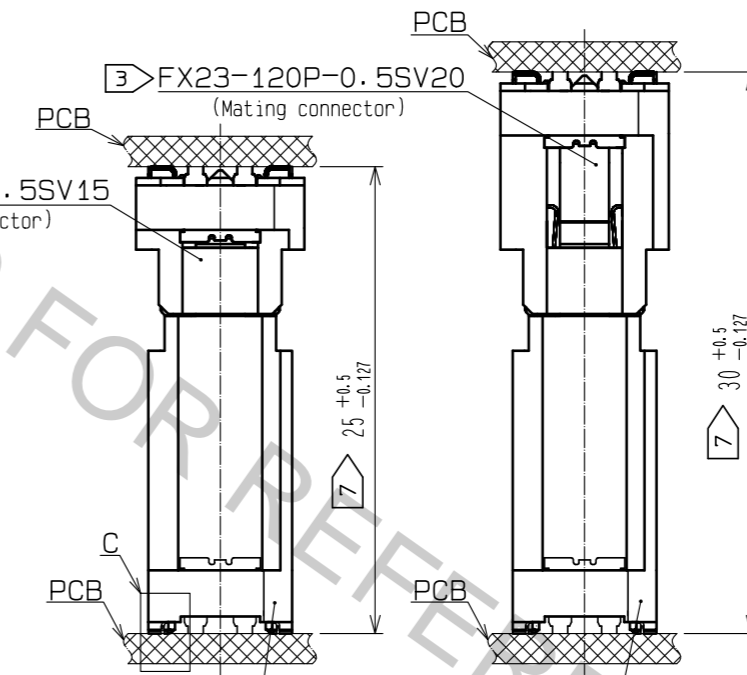
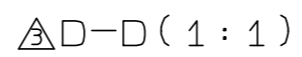
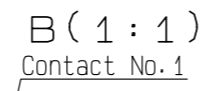
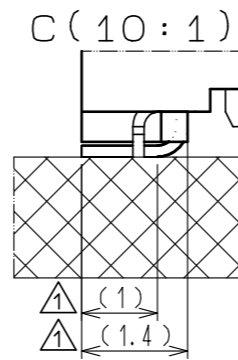
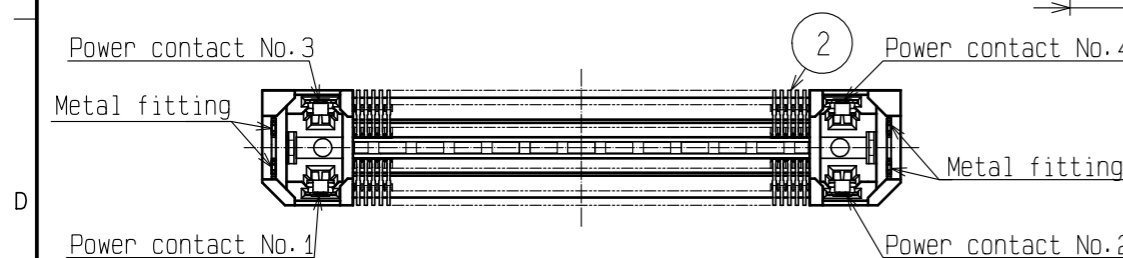
FLOATING RANGE

Y DIRECTION: ±0.6mm
X DIRECTION: ±0.6mm

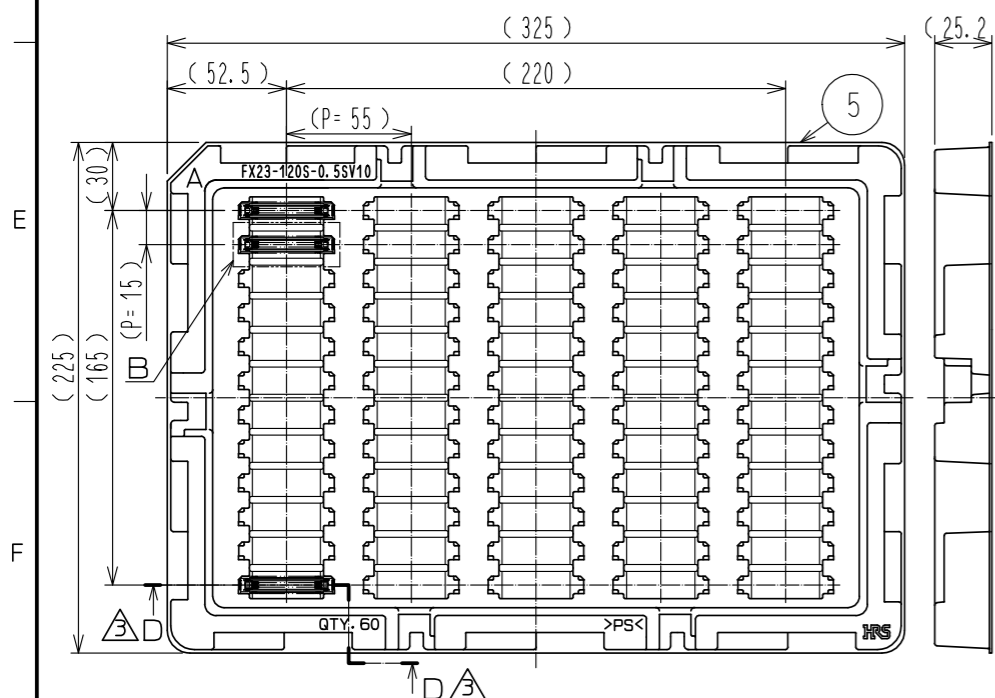


PCB DISTANCE (No scale)

CROSS SECTION OF MATING (No scale)



DRAWING FOR PACKING (No scale)



- 1 Lead CO-Planarity is 0.1mm MAX.
- 2 This is packaged in tray. (60pcs/tray)
- 3 Floating range of this connector is ±0.6mm MAX.
- 4 It shows the vacuum pickup area. Remove the mylar tape before mating connectors.
- 5 Blemish and hit mark can be occurred through out the manufacturing process which doesn't affect quality level.
- 6 The dimensions in parentheses are for references.
- 7 Please use the connectors within the specified PCB distance.

2	COPPER ALLOY	CONTACT AREA: GOLD 0.1 μm LEAD AREA: GOLD 0.03 μm	6	POLYIMIDE	(TAPE FOR VACUUM PICKUP)
1	LCP	UNDER PLATING: NICKEL 1.3 μm	5	POLYSTYRENE	(TRAY)
		BLACK UL94V-0	4	BRASS	LEAD AREA: TIN-PLATING 3 μm UNDER PLATING: NICKEL 1 μm
			3	COPPER ALLOY	CONTACT AREA: GOLD 0.1 μm LEAD AREA: TIN-PLATING 1 μm UNDER PLATING: NICKEL 1.3 μm
NO.	MATERIAL	FINISH . REMARKS	NO.	MATERIAL	FINISH . REMARKS

UNITS	mm	SCALE	2 : 1	COUNT	5	DESCRIPTION OF REVISIONS	DESIGNED	CHECKED	DATE
						DIS-F-00000763	TS.00NO	KN. SHIBUYA	15.10.20
APPROVED : HS. OKAWA		14.07.25		DRAWING NO.		EDC-353563-00-00			
CHECKED : KN. SHIBUYA		14.07.25		PART NO.		FX23-120S-0.5SV10			
DESIGNED : TS.00NO		14.07.25		CODE NO.		CL573-3306-8-00			
DRAWN : TS.00NO		14.07.25							