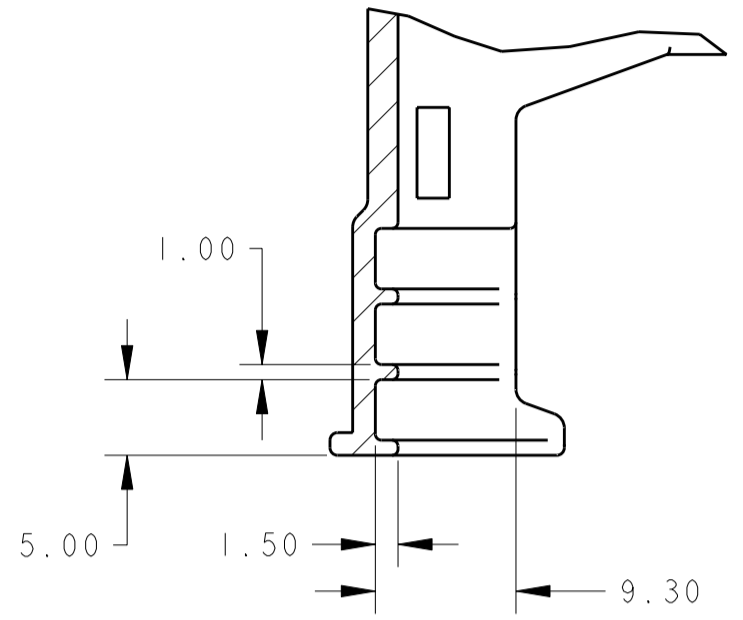
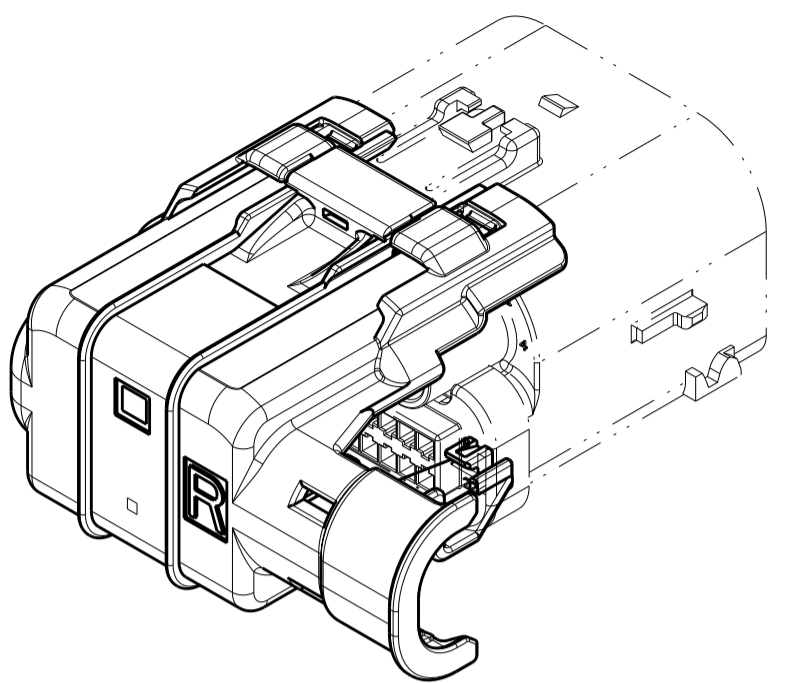
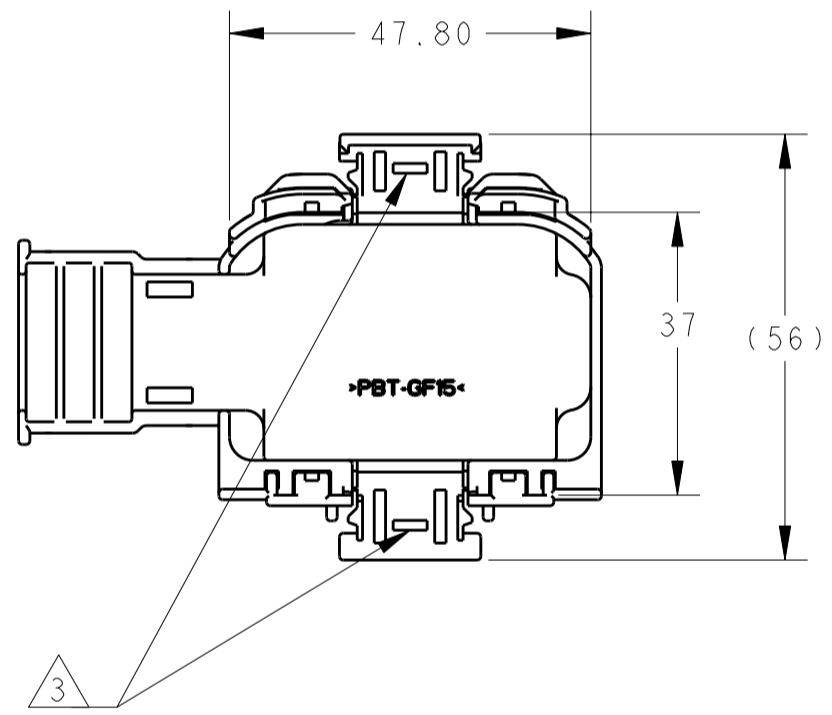
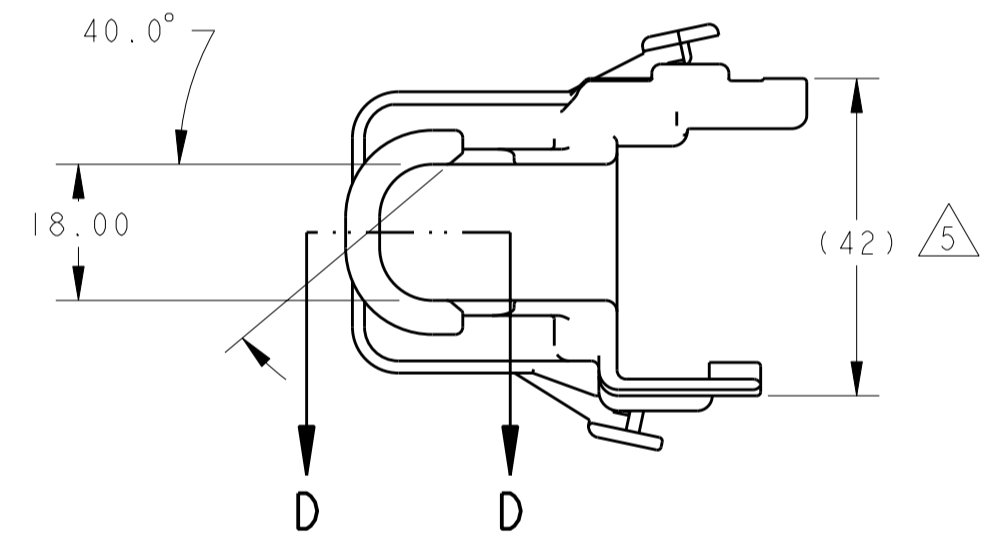
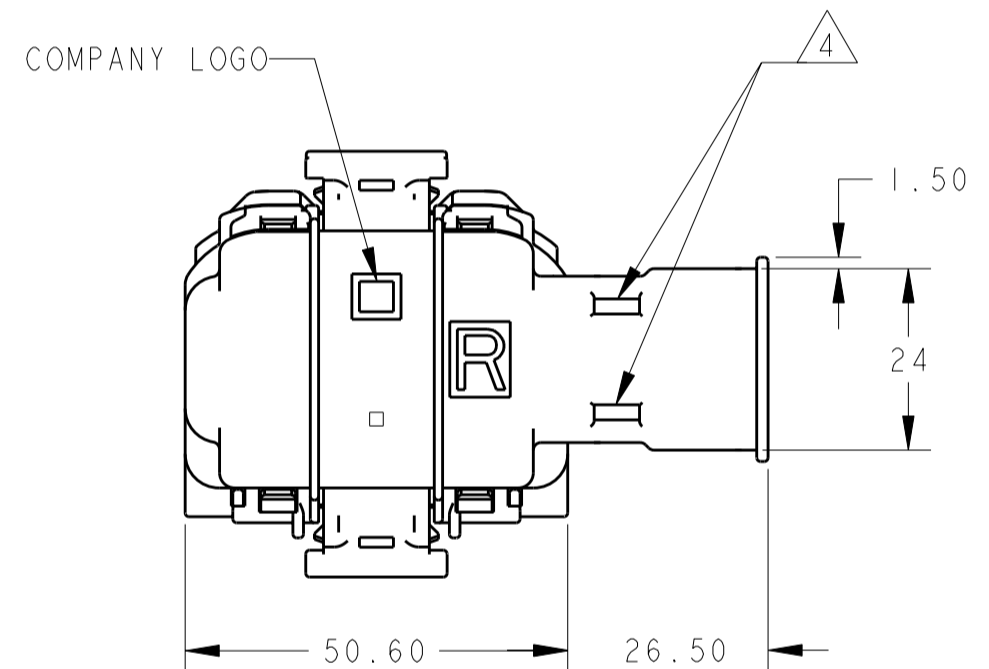


THIS DRAWING IS UNPUBLISHED. RELEASED FOR PUBLICATION 20  
 © COPYRIGHT 20 BY TYCO ELECTRONICS CORPORATION. ALL INTERNATIONAL RIGHTS RESERVED.

LOC	DIST	REVISIONS			
P	LTR	DESCRIPTION	DATE	DWN	APVD
	A	RELEASED PER ECR 07-006597	22MAR2007	MHB	MHB
	AI	REVISED PER ECO-10-014244	08JUL2010	DL D	DL D



SECTION D-D  
 SCALE 2:1



- THIS WIRE GUIDE USED WITH 34 WAY MALE CAP ASSEMBLY SEE TYCO ELECTRONICS DRAWING 1587042. (PURCHASED SEPARATELY)
- FEATURE DESIGNED TO ACCOMMODATE PLASTIC CONVOLUTE.
- FEATURE TO ACCOMMODATE STRAIGHT SLOT SCREW DRIVER AS A PRY POINT.
- FEATURE TO ACCOMMODATE WIRE TIE.
- MEASURED AT TANGENT AS SHROUD WILL BOW IN.
- THIS COMPONENT DESIGNED TO SATISFY THE REQUIREMENTS OF USCAR-2, REVISION 4 AS NOTED BELOW:

PARA 5.4.5 MISC COMPONENT ENGAGE/DISENGAGE FORCE  
 60N MAX ENGAGE  
 110N MIN REMOVE (STRAIGHT AXIAL PULL)

PARA 5.4.8 CONNECTOR DROP TEST.

AS SHOWN	1456722-1
DESCRIPTION	PART NUMBER

THIS DRAWING IS A CONTROLLED DOCUMENT FOR TYCO ELECTRONICS CORPORATION IT IS SUBJECT TO CHANGE AND THE CONTROLLING ENGINEERING ORGANIZATION SHOULD BE CONTACTED FOR THE LATEST REVISION.		DWN E. KINSEY 13JUN2006	Tyco Electronics Harrisburg, PA 17105-3608
DIMENSIONS: mm		CHK E. KINSEY 13JUN2006	
TOLERANCES UNLESS OTHERWISE SPECIFIED: 0 PLC ±1 1 PLC ±0.5 2 PLC ±0.20 3 PLC ± 4 PLC ± ANGLES ±3° FINISH		APVD E. KINSEY 13JUN2006	
MATERIAL PBT-GF15		PRODUCT SPEC APPLICATION SPEC WEIGHT 21.85 g	
BLACK		CUSTOMER DRAWING	NAME WIRE DRESS, 34 POSITION, CAP, RIGHT WIRE EXIT SIZE CAGE CODE DRAWING NO RESTRICTED TO A200779 C-1456722 - SCALE SHEET OF REV AI