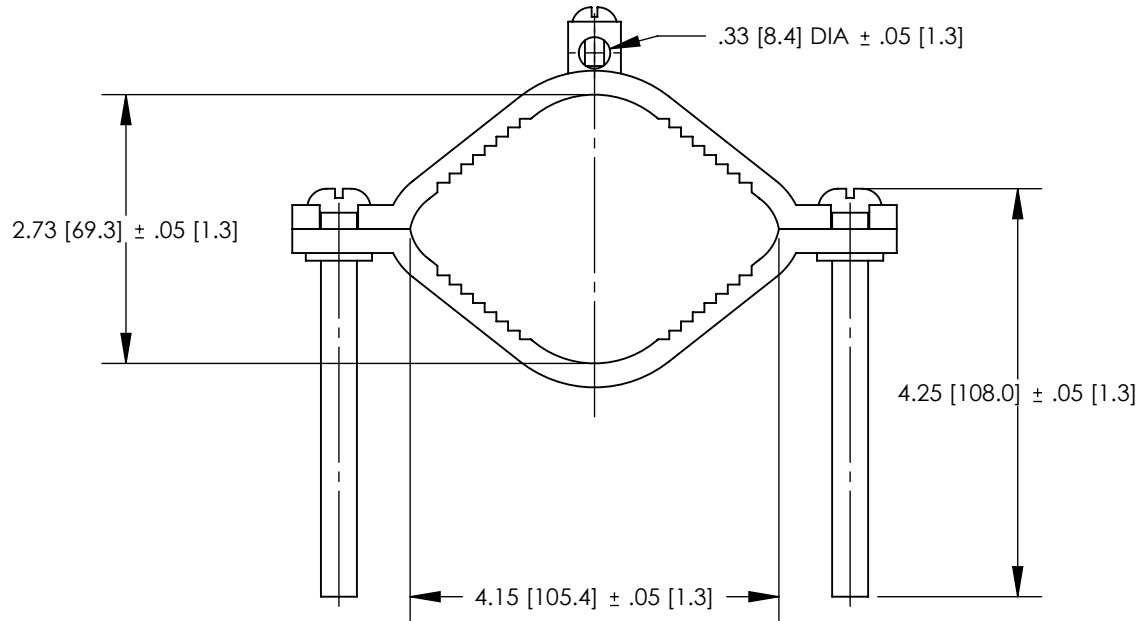
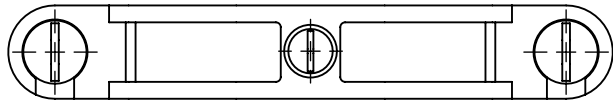


THIS COPY IS PROVIDED ON A RESTRICTED BASIS AND IS NOT TO BE USED IN ANY WAY DETRIMENTAL TO THE INTERESTS OF PANDUIT CORP.



NOTES:

- MATERIAL:  
BODY - BRONZE (GUN METAL)  
SCREW - STEEL, ZINC PLATED (GPC2-4)  
PHOS. BRONZE (GPC2-4D)
- PARTS ARE cULus LISTED TO UL467 AS GROUNDING & BONDING EQUIPMENT.
- RATED FOR DIRECT BURIAL (GPC2-4D ONLY)
- SEE WWW.PANDUIT.COM FOR PART NUMBER SUFFIX DESIGNATION FOR PACKAGE SIZE.



GPC2-4D ONLY

FINISHED PART NUMBER	DESCRIPTION	WATER PIPE	GROUNDING WIRE
GPC2-4	GROUND CLAMP BARE WIRE	2-1/2" - 4"	10 - 2 STR
GPC2-4D	GROUND CLAMP BARE WIRE, DIRECT BURIAL	2-1/2" - 4"	10 - 2 STR

REV	DATE	BY	CHK	APR	DESCRIPTION	ECN
00	7/12	JHNU	SRBI	RGB	DRAWING RELEASED	10J018AF-JC

TITLE <b>BRONZE GROUND PIPE CLAMP - 2-1/2"-4" (GPC2-4, GPC2-4D) CUSTOMER DRAWING</b>	
ITEM REVISION NAME 10J018AF/00	<b>PANDUIT</b> <sup>TM</sup>
DATASET FILE NAME 10J018AF-JC/00.SLDDRW	
UNLESS OTHERWISE SPECIFIED, DIMENSIONAL TOLERANCES ARE: IN [mm] .X ± .XXX ± .XX ± ANGLES ±	
THIRD ANGLE PROJECTION	
DRAWN BY JHNU	DATE 7/12
CHK SRBI	SCALE N/A
DRAWING NUMBER 10J018AF-JC	
SHEET 1 OF 1	
SIZE <b>A</b>	