

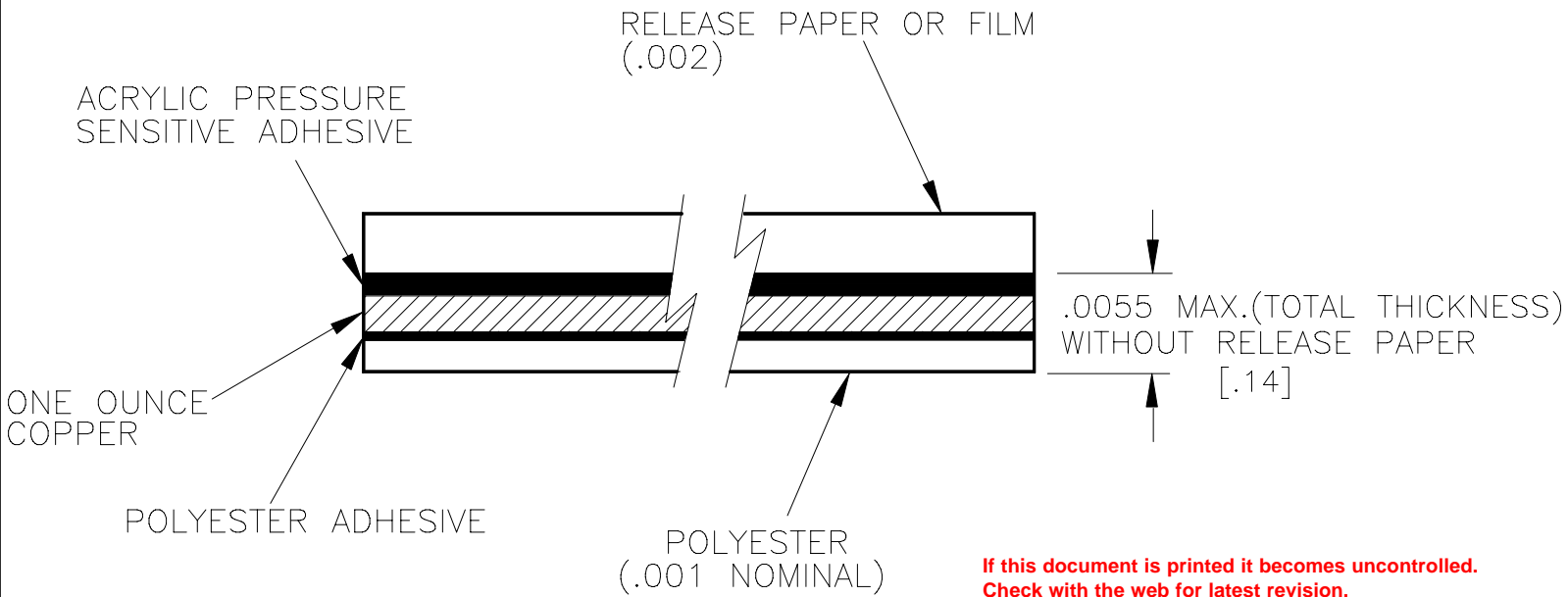
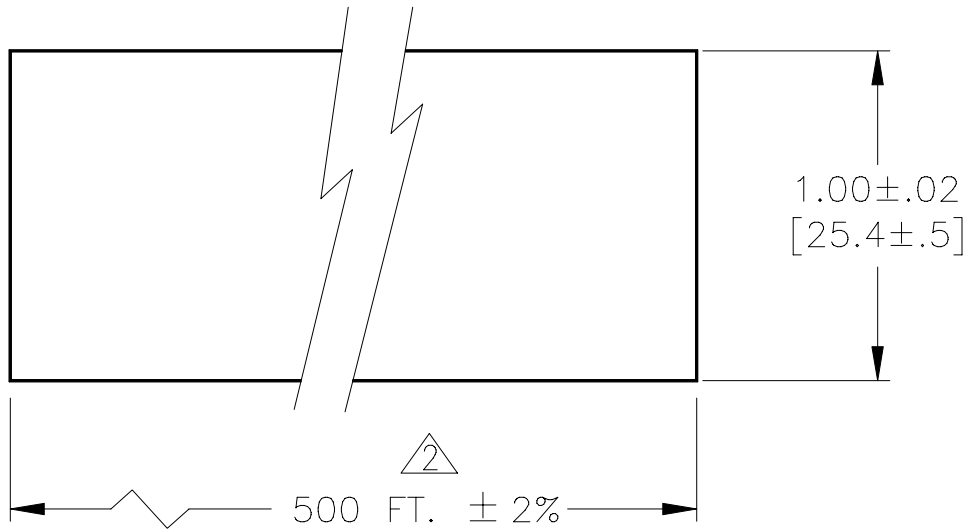
NOTES:

1. SHIELD TO BE SUPPLIED ON A REEL.

② 500±2% FEET PER REEL.

③ SHIELD WITHOUT RELEASE PAPER,  
WEIGHTS: 4.0g (0.009Lbs) MAXIMUM PER FEET.

REVISIONS			
LTR	DESCRIPTION	DATE	APPROVED
C	REVISED AND REDRAWN PER DCR# T-21488	6/23/97	M.H.
D	REVISED PER DCR# T-23904	12/30/99	HIGGY



SPECIFICATION CONTROL DRAWING

UNLESS OTHERWISE SPECIFIED DIMENSIONS ARE IN INCHES. METRIC DIMENSIONS ARE IN BRACKETS.

DECIMALS  
 .XXX ± .010 [ — mm ]  
 .XX ± .03 [ — mm ]

ANGLES  
 .X — ± —

WEIGHT ③

DRAWN	ZS.O.	6/11/97
CHECKED		
APPROVED		
APPROVED	M.HIGGY	6/23/97
CAD NAME	T23904.DWG	
THIRD ANGLE PROJECTION		

*Raychem* RAYCHEM CORPORATION  
300 CONSTITUTION DRIVE  
MENLO PARK, CALIFORNIA 94025

TITLE  
SHIELD FOR FLAT CABLE,  
ADHESIVE ONE SIDE,  
1.0-IN. NOM. SIM-M SERIES

SIZE	CODE IDENT. NO.	DWG. NO.	REV
A	06090	CHA-0089	D

DO NOT SCALE THIS DRAWING SHEET 1 OF 1