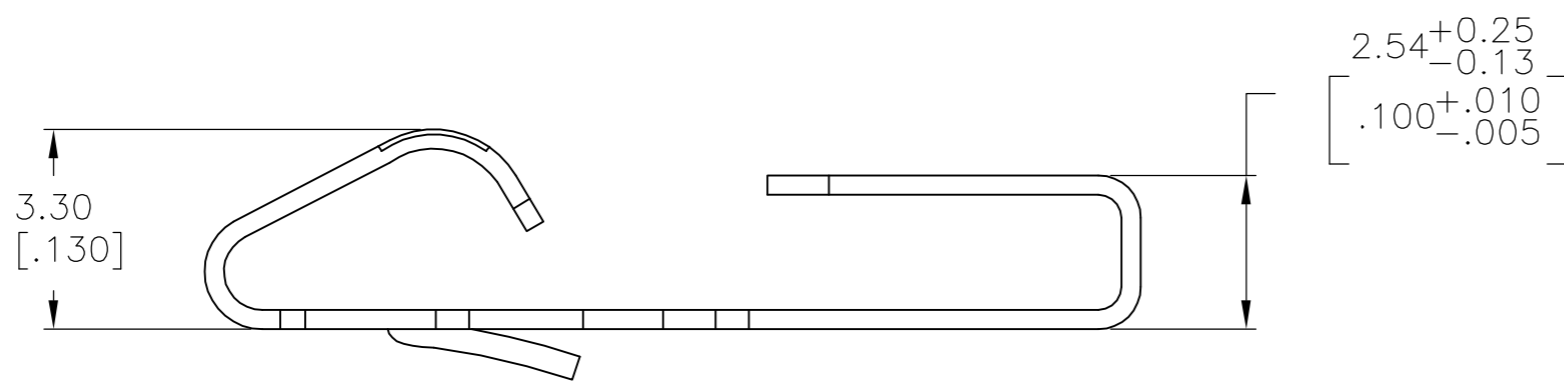
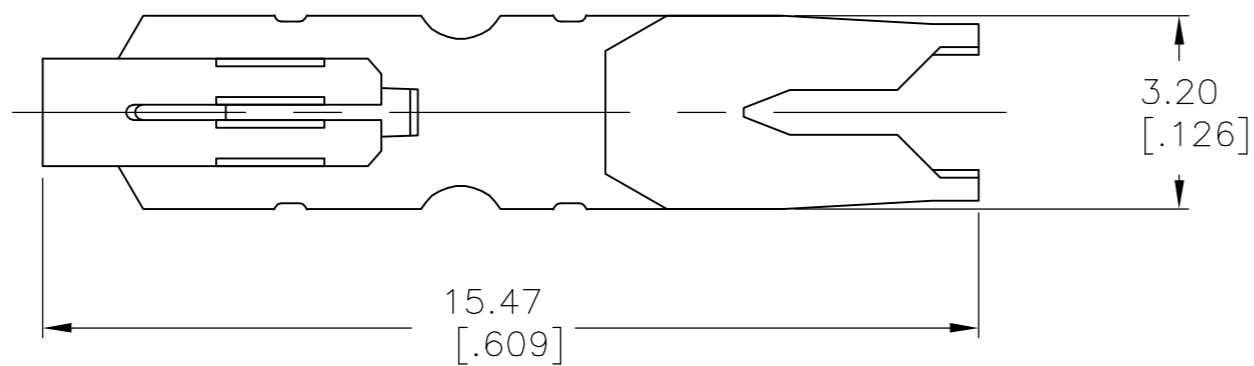


THIS DRAWING IS UNPUBLISHED. RELEASED FOR PUBLICATION
 © COPYRIGHT BY TYCO ELECTRONICS CORPORATION. ALL RIGHTS RESERVED.

LOC		DIST		REVISIONS			
CM	00	P	LTR	DESCRIPTION	DATE	DWN	APVD
		F		EC 0G3B 0202 05	01AUG05	BSV	DB

1. DIMENSIONS IN BRACKETS ARE IN INCHES.



3-640993-1
 PART NO.

METRIC

THIS DRAWING IS A CONTROLLED DOCUMENT.		DWN	24JAN92	tyco Electronics		Tyco Electronics Corporation	
DIMENSIONS: mm [INCHES]		CHK	27JAN92			Harrisburg, Pa 17105-3608	
TOLERANCES UNLESS OTHERWISE SPECIFIED:		APVD	30JAN92	NAME		CONTACT, 22 AWG WIRE, LOOSE PIECE, EDGE CONNECTOR, MTA 156	
0 PLC ± -		PRODUCT SPEC		SIZE		RESTRICTED TO	
1 PLC ± -		APPLICATION SPEC		CAGE CODE		-	
2 PLC ± -		WEIGHT		DRAWING NO		-	
3 PLC ± 0.13 [.005]		CUSTOMER DRAWING		A2 00779 C=640993		-	
4 PLC ± -		SCALE		SHEET		REV	
ANGLES ± -		8:1		1 OF 1		F	
MATERIAL		FINISH					
0.30 [.012] THK COPPER ALLOY		0.00203 [.000080] MIN THK TIN					