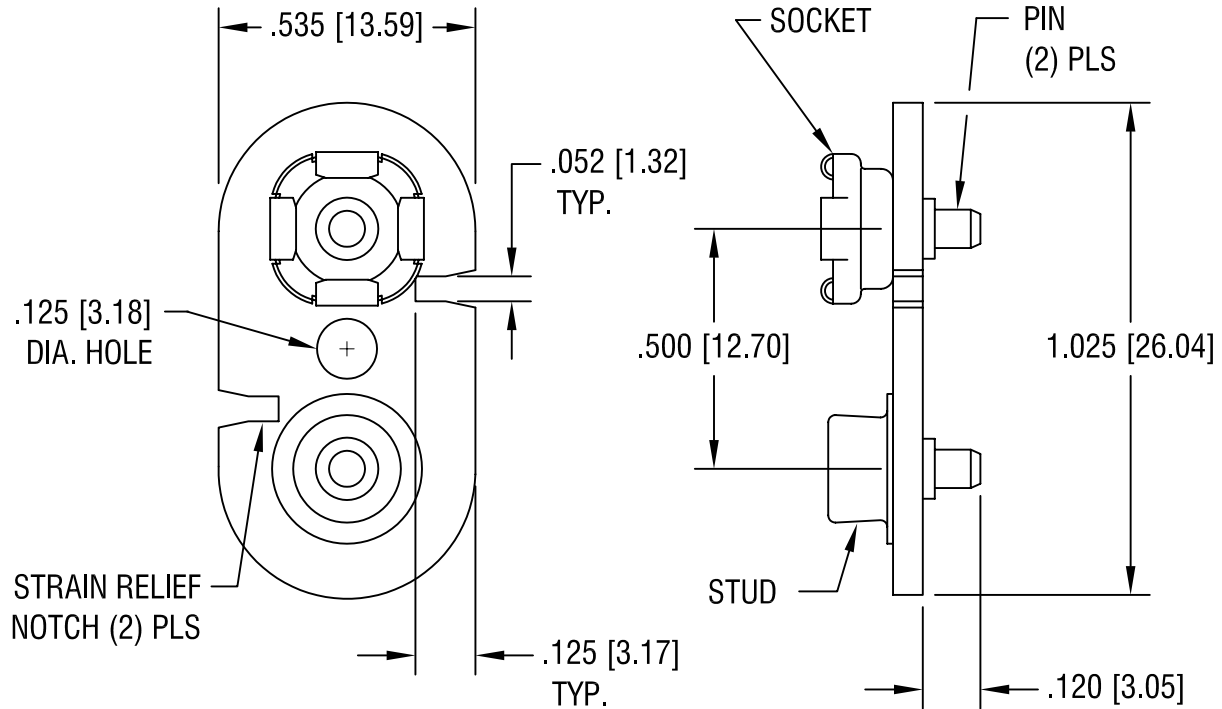
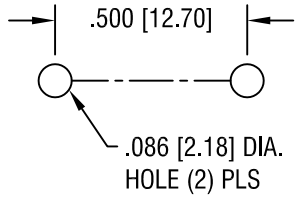


THIS DOCUMENT IS THE PROPERTY OF  
KEYSTONE ELECTRONICS CORP. AND  
SHALL NOT BE REPRODUCED, DISTRIBUTED  
OR USED AS A BASIS FOR MANUFACTURE  
WITHOUT PRIOR WRITTEN PERMISSION  
FROM KEYSTONE ELECTRONICS CORP.

**MOUNTING DETAIL**



**NOTES:**

- 1. BASE: MAT'L - .062 [1.57] TH'K FIBRE
- CONTACT: MAT'L - STEEL, NICKEL PLATE
- PIN: MAT'L - .080 [2.03] DIA. BRASS, TIN PLATE

**KEYSTONE ELECTRONICS CORP.**

ASTORIA, N.Y. 11105-2017

|                            |                 |        |          |
|----------------------------|-----------------|--------|----------|
| PART NAME                  |                 |        |          |
| 9V PC BATTERY CONNECTOR    |                 |        |          |
| MATERIAL                   |                 |        |          |
| AS NOTED                   |                 |        |          |
| FINISH                     |                 | DRN BY | DATE     |
| AS NOTED                   |                 | BOONE  | 10.16.07 |
|                            |                 | APP'D  | SCALE    |
|                            |                 | LN     | 2.5X     |
| TOLERANCES                 | INCH [MM]       | CODE   | DWG NO.  |
| DECIMAL                    | ± .010 [± 0.25] | C      | 967      |
| ANGULAR                    | ± 1°            |        |          |
| UNLESS OTHERWISE SPECIFIED |                 |        |          |

| DATE | DESCRIPTION | REV. |
|------|-------------|------|
|------|-------------|------|