

THIS DRAWING IS UNPUBLISHED.

RELEASED FOR PUBLICATION

ALL RIGHTS RESERVED.

© COPYRIGHT - By -

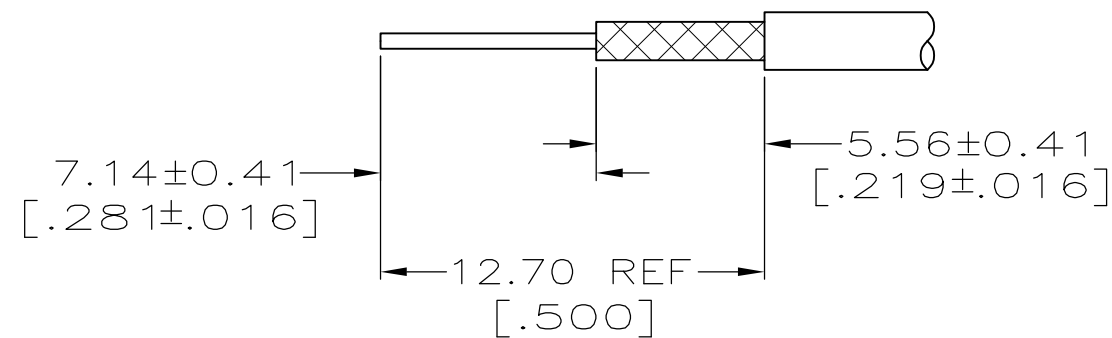
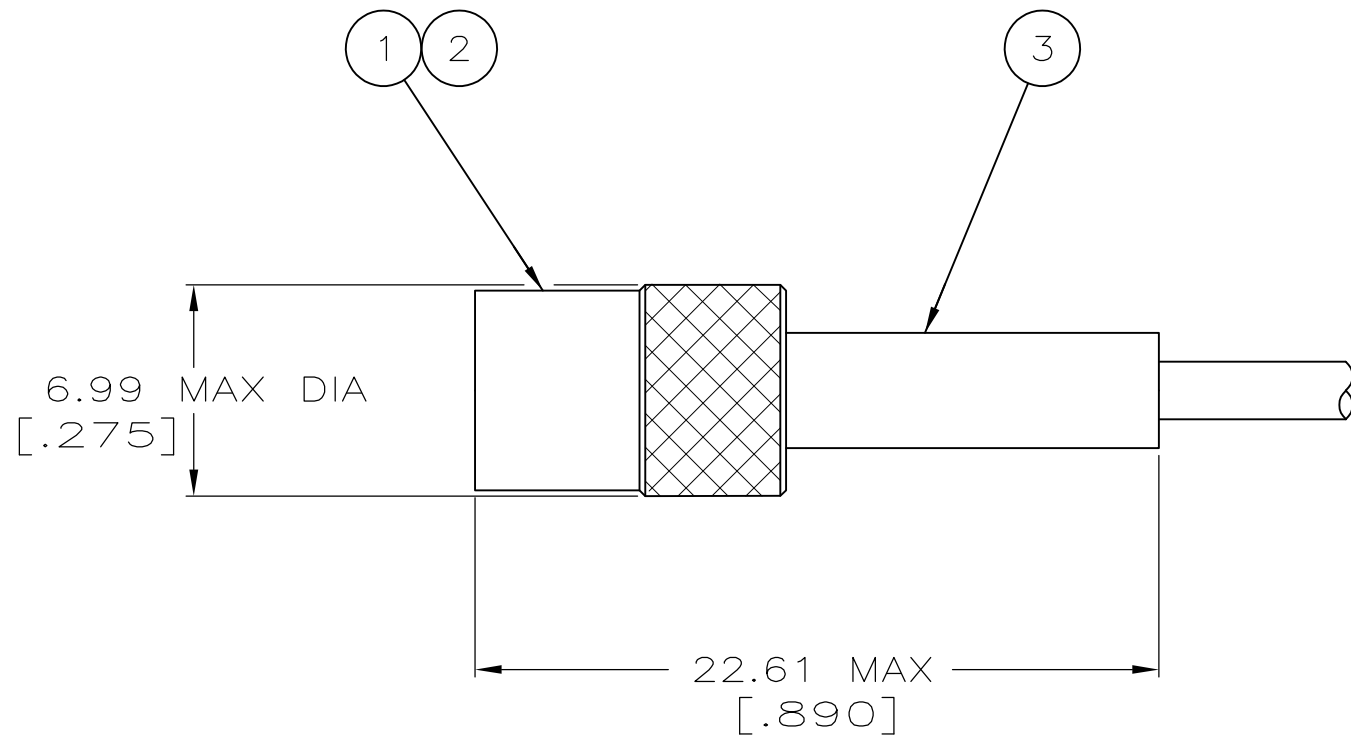
LOC  
DF

DIST  
X0

REVISIONS

P	LTR	DESCRIPTION	DATE	DWN	APVD
P1		REVISED PER ECO-11-005030	11MAR11	RK	HMR

- ① RG-179A/U,187/U,174/U,188/U,21-596 & 21-598
- ② RG-161/U,178/U,178A/U & 196/U
- ③ RG-179A/U,187/U,174/U & 188/U
- 4. SEE I.S. 1771
- 5. PARTS ARE PACKAGED UNASSEMBLED

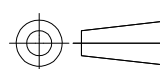


RECOMMENDED STRIP LENGTH

②	69188-1	1-329067-1	1-328695-3	330350-2	2-330311-7
③	45609 & 69142	1-329038-3	1-328695-3	330350-2	2-330311-6
③	45609 & 69142	329038	1-328695-2	330350	2-330311-4
②	69188-1	329067	1-328695-2	330350-1	2-330311-3
②	69188-1	329067	328695	330350	2-330311-2
①	45609 & 69142	329038	328695	330350	2-330311-1
FOR USE WITH CABLE	CRIMPING TOOL	③ FERRULE QTY=1	② RETAINING COLLAR QTY=1	① PLUG ASSY QTY=1	PART NUMBER

THIS DRAWING IS A CONTROLLED DOCUMENT.

DIMENSIONS:  
INCHES



TOLERANCES UNLESS OTHERWISE SPECIFIED:

0 PLC	± -
1 PLC	± -
2 PLC	± -
3 PLC	± -
4 PLC	± -
ANGLES	± -
FINISH	-

MATERIAL

DWN J.DAVIS 01/26/93

CHK G.MICHAEL 01/29/93

APVD G.MICHAEL 1-29-93

PRODUCT SPEC

APPLICATION SPEC

WEIGHT -

CUSTOMER DRAWING



NAME  
CONN,COAX,RF  
PLUG,MIN THD'D

SIZE	CAGE CODE	DRAWING NO	RESTRICTED TO
A3	00779	C-330311	-

SCALE	SHEET	REV
4:1	1 OF 1	P1