

© COPYRIGHT 1975 BY AMP INCORPORATED, HARRISBURG, PA. ALL INTERNATIONAL RIGHTS RESERVED. AMP INCORPORATED PRODUCTS COVERED BY U. S. AND FOREIGN PATENTS AND OR PATENTS PENDING.

PART NO.	"I" DIM.	FIG. NO.	
346906-2	2.00"	I	
346906-3	30.00"	II	OBSOLETE
346906-4	30.00"	I	OBSOLETE

REVISIONS						
P	F	ZONE	LTR	DESCRIPTION	DATE	APPROVED
			E	REDRAWN	4-14-78	DS
			F	OBSOLETE -4 ECN 53650	3-3-87	ML
			G	OBSOLETE -3 ECN L1559	4-24-87	RS

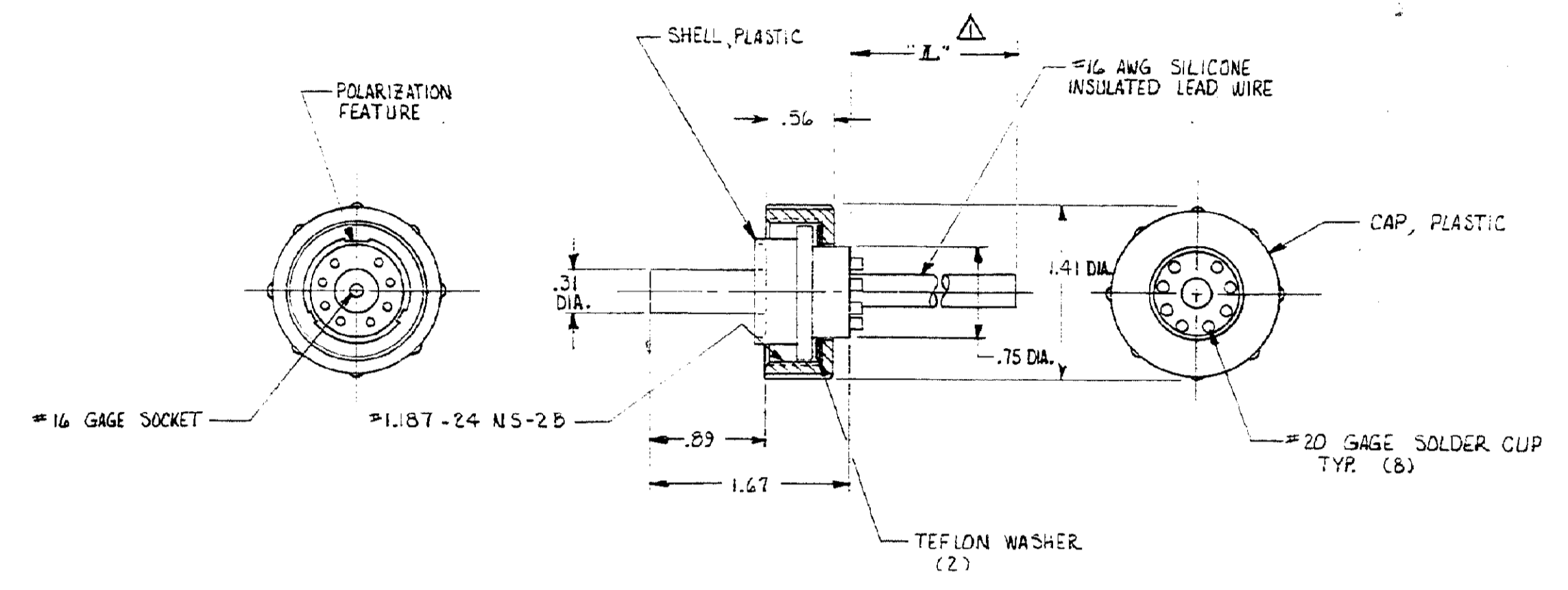


FIG. I

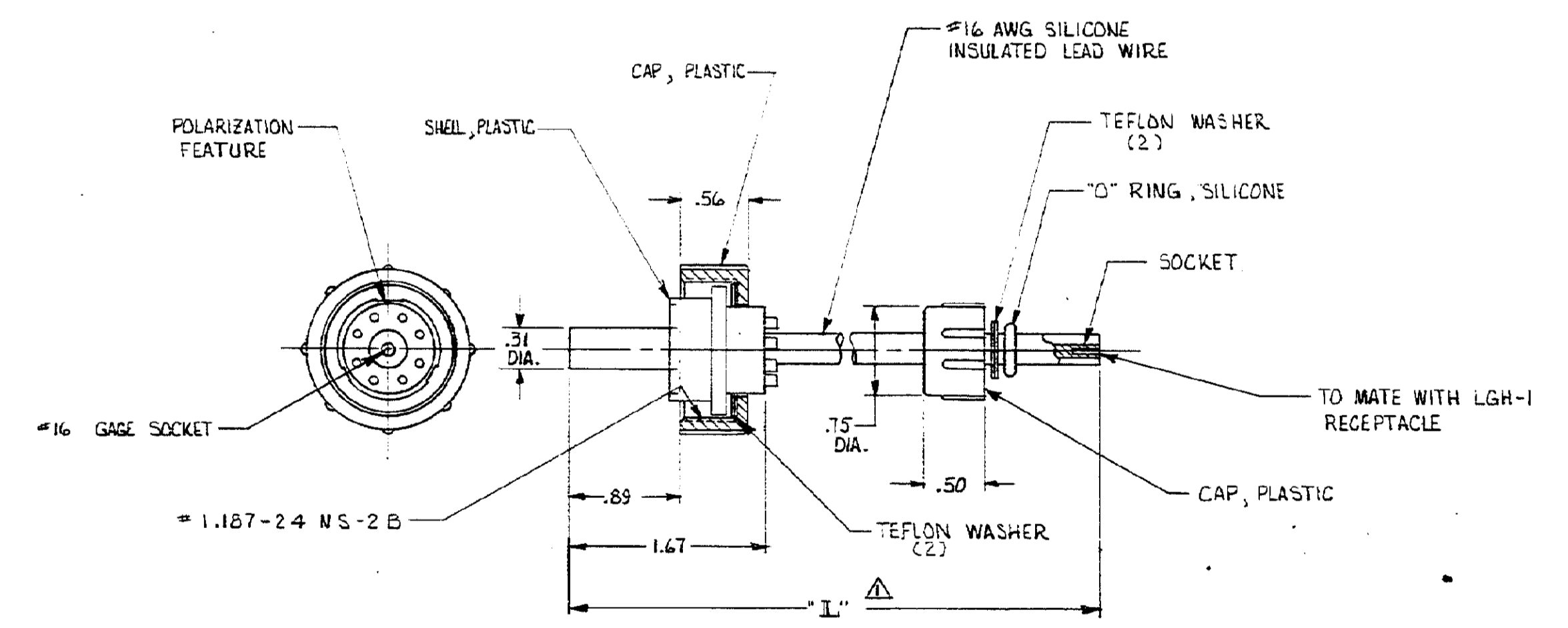


FIG. II

NOTE:  
 1. TOLERANCE : UP TO 24" - ± .12  
 24" & UP - ± 1%  
 2. COLOR OF LEAD WIRE: WHITE UNLESS OTHERWISE SPECIFIED.

UNLESS OTHERWISE SPECIFIED DIMENSIONS ARE IN INCHES.		CONTRACT NO.		PART NO.	
TOLERANCES: .00 = .02, .000 = .005 ANGLES =		DR DICK STONE 4-14-78		AMP INCORPORATED Erie, Pa.	
MATERIAL		CHK		NAME MOLDED PLUG ASSEMBLY (AIR SIDE)	
FINISH		APPD <i>M. Anderson</i> 4/15/78		LGH	
NEXT ASSY		DSGN APPD		SIZE CODE IDENT NO DRAWING NO	
FINAL ASSY		OTHER APPD		D 00779 346906	
QTY REQD		APPLICATION		SCALE 1:1 SHEET 1 OF 1	