

NOTES:

1. MATERIALS:

- CONNECTOR HOUSING: HIGH TEMPERATURE THERMOPLASTIC GLASS FILLED, UL 94V-0
- EMI CAGE: NICKEL SILVER ALLOY
- EMI FINGERS: COPPER ALLOY
- TERMINALS: COPPER ALLOY
- LIGHT PIPES: HALOGEN FREE, CLEAR POLYCARBONATE

2. FINISHES:

- EMI FINGERS: 0.50µM MIN NICKEL
- CONTACT AREA: 0.76µM MIN GOLD OVER 2.54µM MIN NICKEL
- TAIL AREA: 0.76µM-1.52µM TIN OVER 2.54µM MIN NICKEL

3. PRODUCT SPECIFICATION: PS-76866-001

4. PACKAGING SPECIFICATION: PK-76866-002

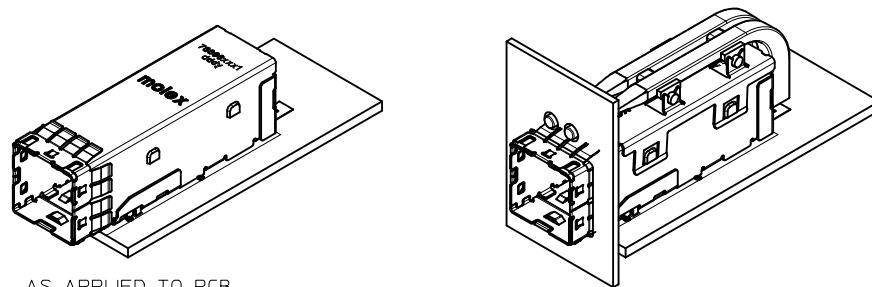
- CONNECTORS WILL BE IN ONE BOX
- LIGHT PIPE ASSEMBLIES WILL BE IN ONE BOX
- BOTH BOXES WILL BE IN A MASTER CARTON

5. MATES WITH: MOLEX CABLE SERIES 111068

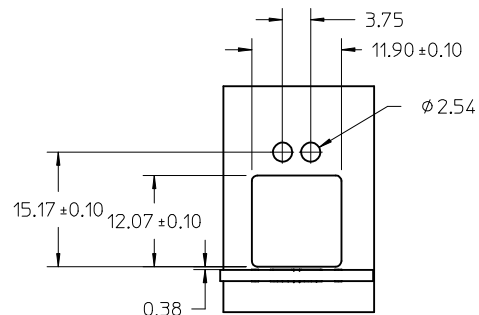
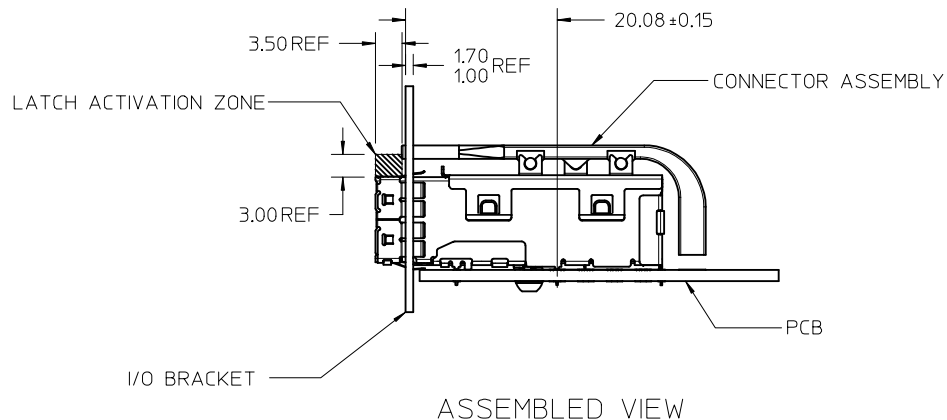
6. RECOMMENDED MOUNTING HARDWARE: REFER TO APPLICATION SPECIFICATION AS-76866-001

7. PLUG MODULE PCB LAYOUT REFER TO SD-76866-9900

| | | | | | | | | | | |
|---|--------------------------|-----------------|--|-------|---|----------------------------|--|-------------------------------|------------------------|--|
| REV'D NOTES IEC NO: UCP2015-5060 DRWN:KCALLAGHAN 2015/06/01 CHKD:TMCCLELLAND 2015/06/03 APPR:TMCCLELL 2015/06/18 | DESCRIPTION REV D5 | QUALITY SYMBOLS | GENERAL TOLERANCES (UNLESS SPECIFIED) | | DIMENSION STYLE MM ONLY | | SCALE 2:1 | DESIGN UNITS METRIC | THIRD ANGLE PROJECTION | |
| | | ▽=0 | mm | INCH | DRAWN BY KLANG | DATE 2009/06/04 | IPASS PLUS HD 1X1 EXT REC & CAGE LIGHT PIPE | | | |
| | | ▽=0 | 4 PLACES ± --- | ± --- | CHECKED BY TMCCLELLAND | DATE 2013/10/16 | | | | |
| | | ▽=0 | 3 PLACES ± --- | ± --- | APPROVED BY MBANAKIS | DATE 2010/01/14 | | | | |
| ▽=0 | 2 PLACES ± 0.13 | ± --- | MATERIAL NO. 76866-0121 | | DOCUMENT NO. SD-76866-021 | SHEET NO. 1 OF 4 | | | | |
| | | | ANGULAR ±1/2° | | THIS DRAWING CONTAINS INFORMATION THAT IS PROPRIETARY TO MOLEX INCORPORATED AND SHOULD NOT BE USED WITHOUT WRITTEN PERMISSION | | | | | |
| | | | DRAFT WHERE APPLICABLE MUST REMAIN WITHIN DIMENSIONS | | | | | | | |

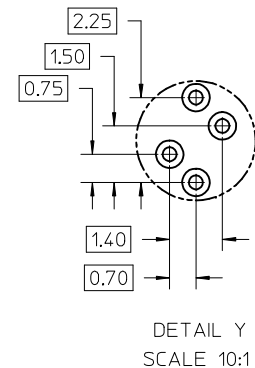
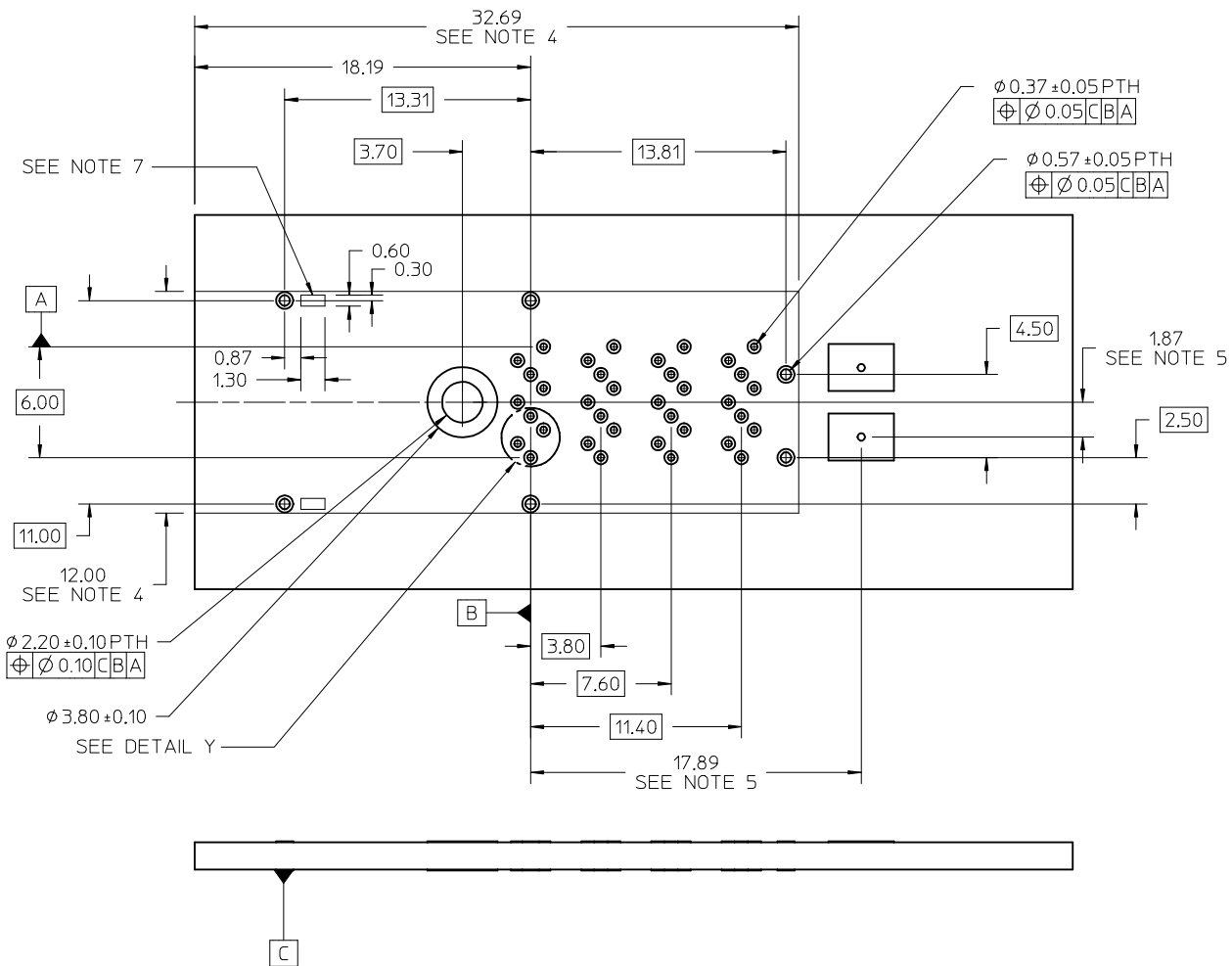


AS APPLIED TO PCB



I/O BRACKET CUT OUT
(BRACKET NOT SUPPLIED)

| | | | | | | | | | | |
|---|---------------------|---------------------------------------|----|--|------------|--|--|------------------------|--|--|
| SEE SHEET 1 EC NO: UCP2015-5060 DRINKCALLAGHAN 2015/06/01 CHKD: TMCCLELLAND 2015/06/03 APPR: TMCCLELL 2015/06/18 | QUALITY SYMBOLS | GENERAL TOLERANCES (UNLESS SPECIFIED) | | DIMENSION STYLE MM ONLY | | SCALE 2:1 | DESIGN UNITS METRIC | THIRD ANGLE PROJECTION | | |
| | | | mm | INCH | DRAWN BY | DATE | IPASS PLUS HD 1X1 EXT REC & CAGE LIGHT PIPE | | | |
| | | | | | KLANG | 2009/06/04 | | | | |
| | | | | | CHECKED BY | DATE | DOCUMENT NO. SD-76866-021 | | | |
| | | | | TMCCLELLAND | 2013/10/16 | | | | | |
| | | | | APPROVED BY | DATE | SHEET NO. 2 OF 4 | | | | |
| | | | | MBANAKIS | 2010/01/14 | | | | | |
| | | | | MATERIAL NO. | | THIS DRAWING CONTAINS INFORMATION THAT IS PROPRIETARY TO MOLEX INCORPORATED AND SHOULD NOT BE USED WITHOUT WRITTEN PERMISSION | | | | |
| | | | | SEE SHEET 1 | | | | | | |
| | | | | ANGULAR $\pm 1/2^\circ$ | | | | | | |
| | | | | DRAFT WHERE APPLICABLE MUST REMAIN WITHIN DIMENSIONS | | | | | | |



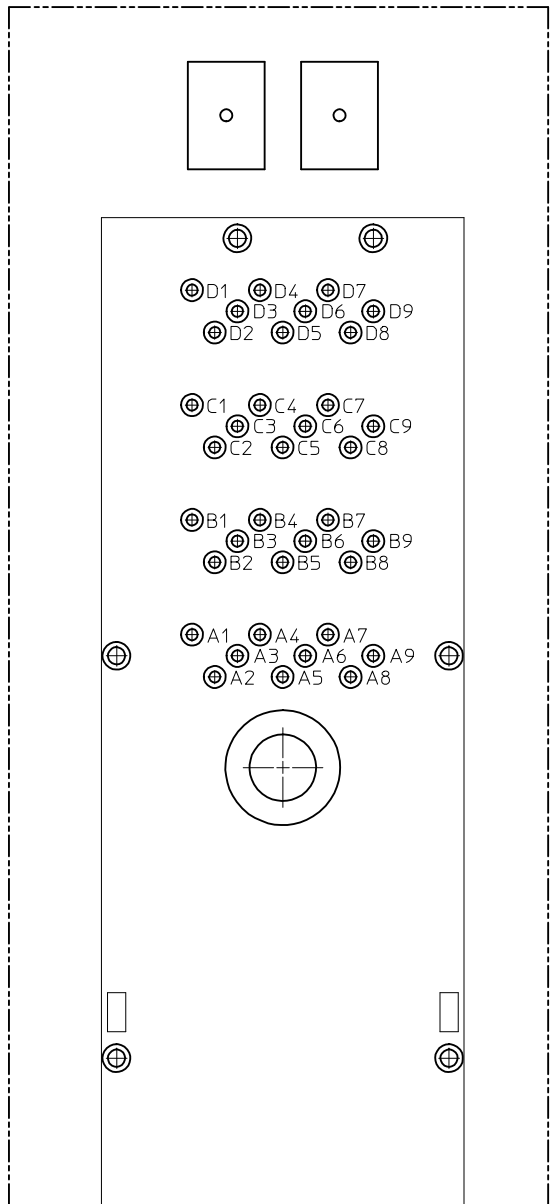
DETAIL Y
SCALE 10:1

RECOMMENDED FOOTPRINT

- NOTES:
1. RECOMMENDED DRILL SIZE AND ANNULAR RING FOR A 0.37 ϕ FINISHED PTH - REFER TO APPLICATION SPECIFICATION AS-76866-001
 2. MINIMUM RECOMMENDED SPACING: 14.00MM
 3. MINIMUM PCB THICKNESS: 1.57MM
 4. CONNECTOR KEEP OUT AREA
 5. LOCATION OF LED CENTER LINE
 6. RECOMMENDED DRILL SIZE AND ANNULAR RING FOR A 0.57 ϕ FINISHED PTH - REFER TO APPLICATION SPECIFICATION AS-76866-001
 7. CAGE STAND OFF AREA, NO TRACES ON SURFACE OF PCB IN THESE AREAS

| | | | | | | | | | |
|---|--------------------------------------|---------------------------------------|----------------------|--|--------------------|---|-----------------------------|------------------------|------------------------------|
| SEE SHEET 1 EC NO: UCP2015-5060 DRWN:KCALLAGHAN 2015/06/01 CHKD:TMCCLELLAND 2015/06/03 APPR:TMCCLELL 2015/06/18 | QUALITY SYMBOLS ▽=0 ▽=0 ▽=0 | GENERAL TOLERANCES (UNLESS SPECIFIED) | | DIMENSION STYLE MM ONLY | | SCALE 5:1 | DESIGN UNITS METRIC | THIRD ANGLE PROJECTION | |
| | | mm | INCH | DRAWN BY KLANG | DATE 2009/06/04 | TITLE IPASS PLUS HD 1X1 EXT REC & CAGE LIGHT PIPE | molex | | SHEET NO. 3 OF 4 |
| D5 | REV | 4 PLACES ± --- ± --- | 3 PLACES ± --- ± --- | CHECKED BY TMCCLELLAND | DATE 2013/10/16 | APPROVED BY MBANAKIS | | DATE 2010/01/14 | DOCUMENT NO. SD-76866-021 |
| | | 2 PLACES ± 0.13 ± --- | 1 PLACE ± 0.25 ± --- | APPROVED BY MBANAKIS | | DATE 2010/01/14 | MATERIAL NO. SEE SHEET 1 | | SD-76866-021 |
| | | ANGULAR ±1/2° | | DRAFT WHERE APPLICABLE MUST REMAIN WITHIN DIMENSIONS | | THIS DRAWING CONTAINS INFORMATION THAT IS PROPRIETARY TO MOLEX INCORPORATED AND SHOULD NOT BE USED WITHOUT WRITTEN PERMISSION | | | |

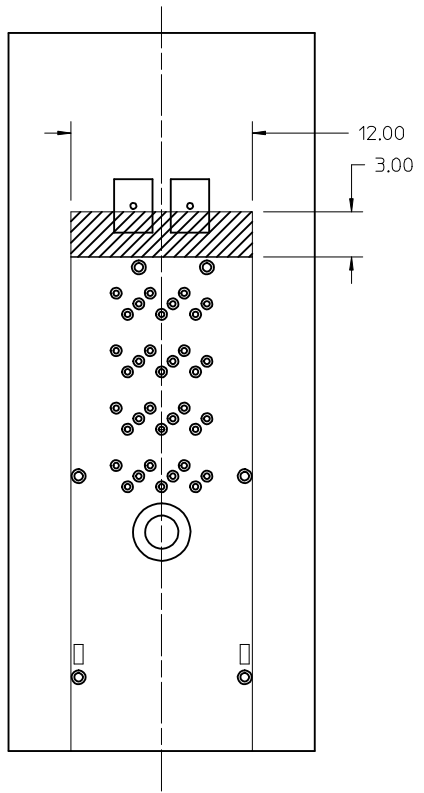
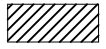
RECOMMENDED TOOLING KEEP OUT AREAS



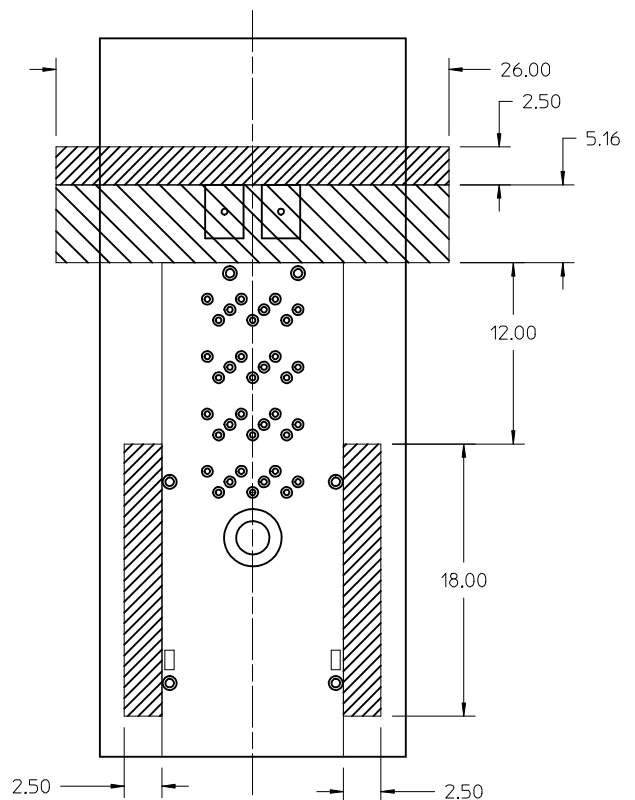
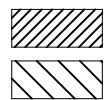
CIRCUIT IDENTIFICATION

Partial1
SCALE 8:1

RECOMMENDED INSERTION TOOL
KEEP OUT AREA
NO COMPONENTS IN THIS AREA
MORE THAN 7.50 mm TALL



RECOMMENDED EXTRACTION TOOL
KEEP OUT AREA
NO COMPONENTS IN THESE AREAS
NO COMPONENTS IN THIS AREA
MORE THAN 5.00 mm TALL



| SEE SHEET 1 EC NO: UCP2015-5060 DRINKCALLAGHAN 2015/06/01 CHKD:TMCCLELLAND 2015/06/03 APPR:TMCCLELL 2015/06/18 REV D5 | QUALITY SYMBOLS ∇=0 ∇=0 ∇=0 | GENERAL TOLERANCES (UNLESS SPECIFIED) <table border="1"> <thead> <tr> <th></th> <th>mm</th> <th>INCH</th> </tr> </thead> <tbody> <tr> <td>4 PLACES</td> <td>± ---</td> <td>± ---</td> </tr> <tr> <td>3 PLACES</td> <td>± ---</td> <td>± ---</td> </tr> <tr> <td>2 PLACES</td> <td>± 0.13</td> <td>± ---</td> </tr> <tr> <td>1 PLACE</td> <td>± 0.25</td> <td>± ---</td> </tr> <tr> <td>0 PLACE</td> <td>±</td> <td>±</td> </tr> </tbody> </table> | | mm | INCH | 4 PLACES | ± --- | ± --- | 3 PLACES | ± --- | ± --- | 2 PLACES | ± 0.13 | ± --- | 1 PLACE | ± 0.25 | ± --- | 0 PLACE | ± | ± | DIMENSION STYLE MM ONLY DRAWN BY DATE KLANG 2009/06/04 CHECKED BY DATE TMCCLELLAND 2013/10/16 APPROVED BY DATE MBANAKIS 2010/01/14 MATERIAL NO. | SCALE 4:1 DESIGN UNITS METRIC THIRD ANGLE PROJECTION | TITLE IPASS PLUS HD 1X1 EXT REC & CAGE LIGHT PIPE molex DOCUMENT NO. SD-76866-021 SHEET NO. 4 OF 4 |
|--|--------------------------------------|--|-------------|----|------|----------|-------|-------|----------|-------|-------|----------|--------|-------|---------|--------|-------|---------|---|---|--|---|---|
| | | mm | INCH | | | | | | | | | | | | | | | | | | | | |
| | 4 PLACES | ± --- | ± --- | | | | | | | | | | | | | | | | | | | | |
| | 3 PLACES | ± --- | ± --- | | | | | | | | | | | | | | | | | | | | |
| | 2 PLACES | ± 0.13 | ± --- | | | | | | | | | | | | | | | | | | | | |
| 1 PLACE | ± 0.25 | ± --- | | | | | | | | | | | | | | | | | | | | | |
| 0 PLACE | ± | ± | | | | | | | | | | | | | | | | | | | | | |
| DRAFT WHERE APPLICABLE MUST REMAIN WITHIN DIMENSIONS | | ANGULAR ±1/2° | SEE SHEET 1 | | | | | | | | | | | | | | | | | | | | |
| THIS DRAWING CONTAINS INFORMATION THAT IS PROPRIETARY TO MOLEX INCORPORATED AND SHOULD NOT BE USED WITHOUT WRITTEN PERMISSION | | | | | | | | | | | | | | | | | | | | | | | |