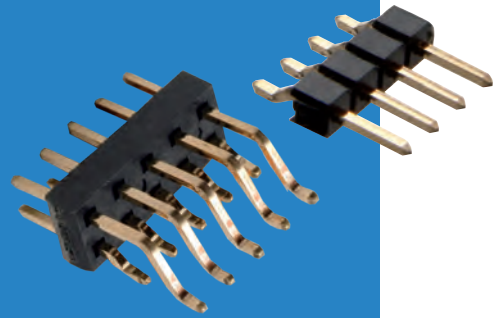


# M22 Connectors

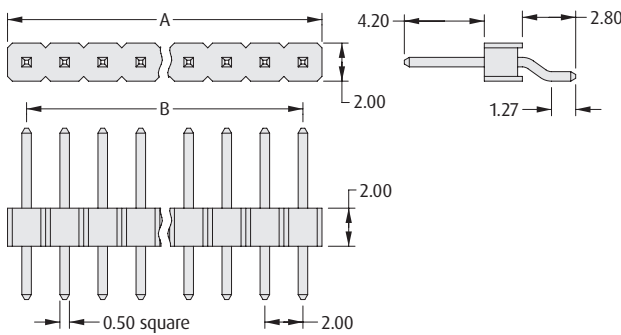
## Male Horizontal Surface Mount

- Suitable for use with female PCB connectors and jumper sockets.
- 4.2mm mating pin length recommended for use with female cable connectors.
- Single row pin headers can be cut into smaller sizes.
- Locating pegs on double row, to assist with correct positioning and minimised movement during soldering.
- Contact [technical@harwin.com](mailto:technical@harwin.com) for Tape and Reel options.



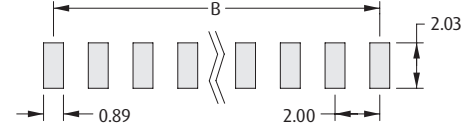
2mm (.079") PITCH

### SINGLE ROW



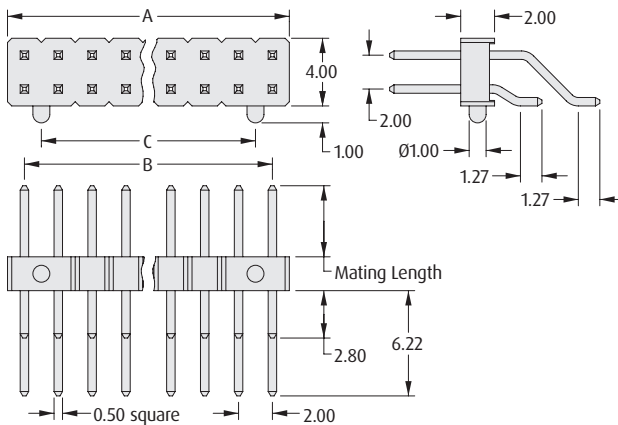
### CALCULATION

<b>A</b>	2 x No. of contacts per row
<b>B</b>	2 x (No. of contacts per row - 1)



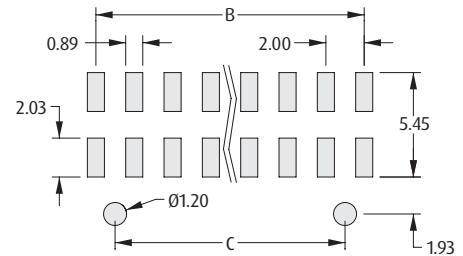
Recommended PC Board Pattern

### DOUBLE ROW



### CALCULATION

<b>A</b>	2 x No. of contacts per row
<b>B</b>	2 x (No. of contacts per row - 1)
<b>C</b>	B - 2



Recommended PC Board Pattern

### HOW TO ORDER

**M22 - 5 X 3 XX 05**

**SERIES CODE**

**FINISH**

**05** Gold

**TYPE**

<b>3</b>	Single Row
<b>4</b>	Double Row, 3.2mm Mating Length
<b>6</b>	Double Row, 4.2mm Mating Length

**NO. OF CONTACTS PER ROW**

<b>02 to 15</b>	M22-533
<b>03 to 15, 20</b>	M22-543
<b>03 to 20</b>	M22-563

All dimensions in mm.